

1. General

A: PRECAUTION

When servicing clutch system, pay attention to the following items.

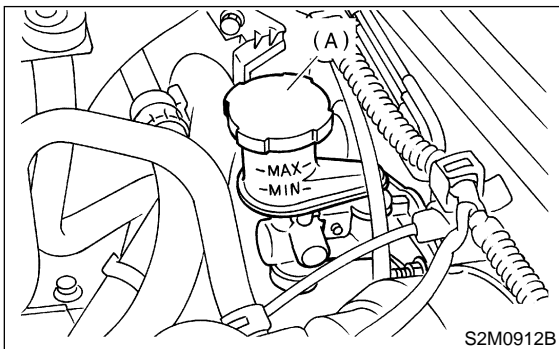
1) Check fluid level using a scale on outside of reservoir tank. If the level is below "MIN", add brake fluid to bring it up to "MAX".

Recommended brake fluid:

FMVSS No. 116, fresh DOT3 or DOT4 brake fluid

CAUTION:

- Avoid mixing different grades of brake fluid to prevent degradation of the fluid.
- Be careful not to allow dirt or dust to get into the reservoir tank.
- Use fresh DOT3 or DOT4 brake fluid when refilling fluid.



(A) Reservoir tank

- 2) Make sure that brake fluid does not leak from master cylinder, operating cylinder and piping.
- 3) Apply grease sufficiently to the clutch release lever pinion.
- 4) Check for proper clutch disengagement and clutch pedal return ability.

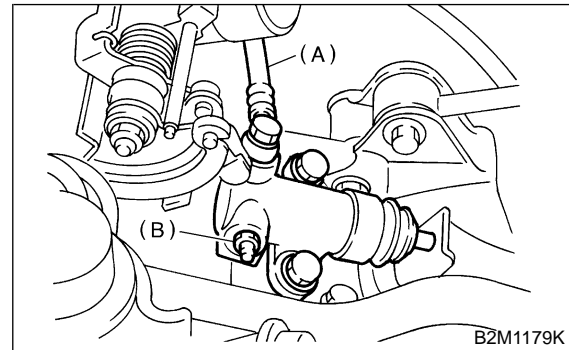
2. On-car Service

A: ADJUSTMENT

NOTE:

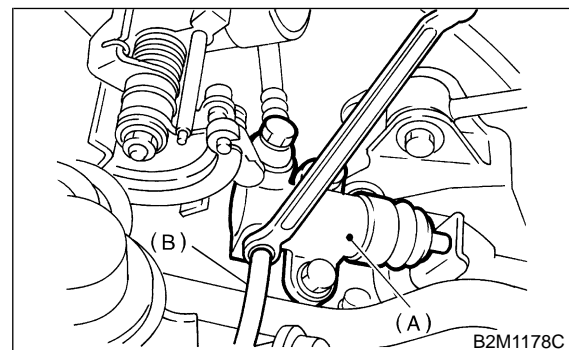
Bleed air from oil line with the help of a co-worker.

- 1) Remove air cleaner case.
- 2) Fit one end of a vinyl tube into the air bleeder of operating cylinder and put the other end into a brake fluid container.



(A) Clutch hose
(B) Air bleeder

- 3) Slowly depress the clutch pedal and keep it depressed. Then open the air bleeder to discharge air together with the fluid. Release the air bleeder for 1 or 2 seconds. Next, with the bleeder closed, slowly release the clutch pedal.



(A) Operating cylinder
(B) Vinyl tube

- 4) Repeat these steps until there are no more air bubbles in the vinyl tube.

CAUTION:

Cover bleeder with waste cloth when loosening it, to prevent brake fluid from being splashed over surrounding parts.