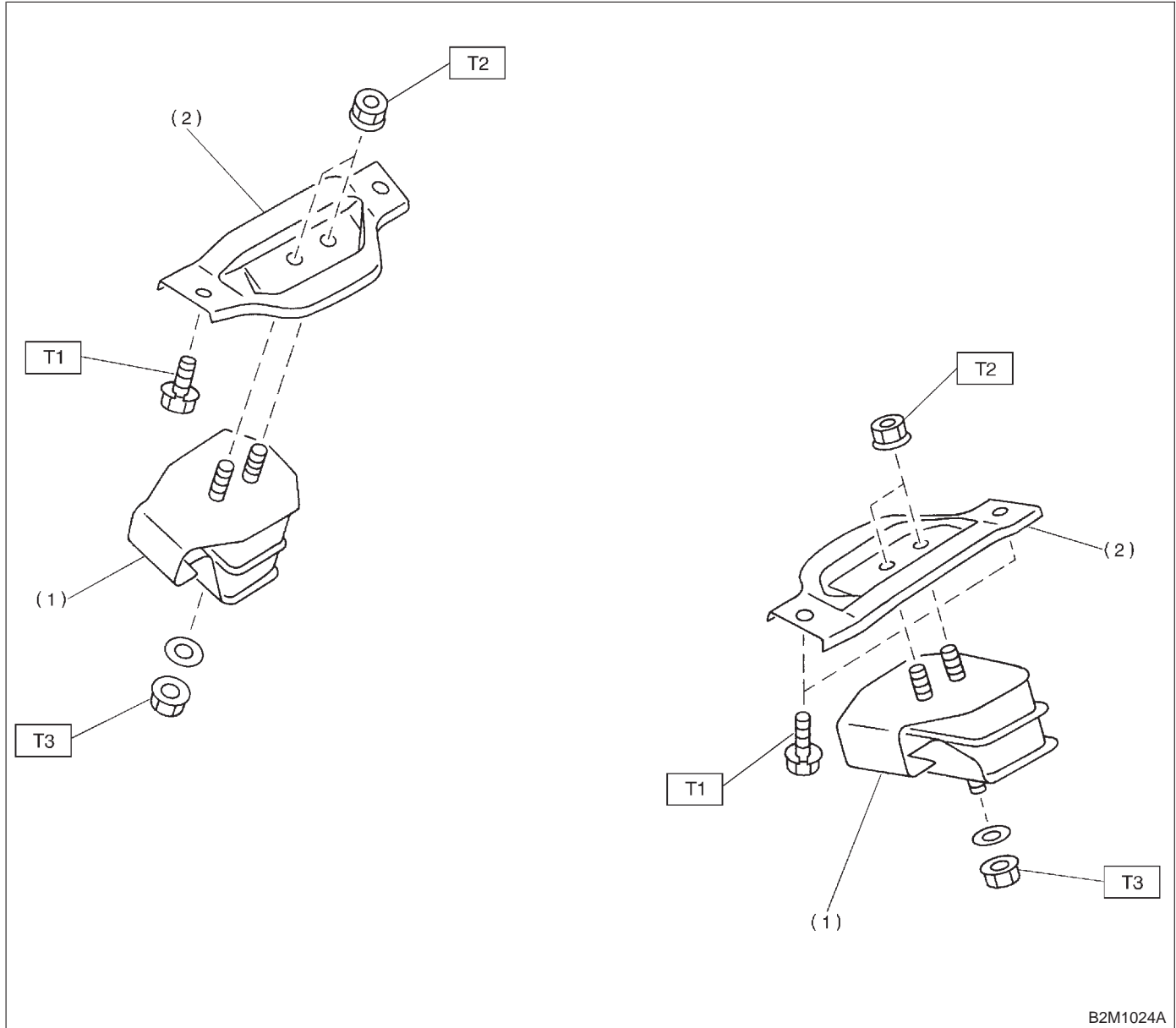


## 1. Engine Mounting



- (1) Front cushion rubber
- (2) Front engine mounting bracket

**Tightening torque: N·m (kg·m, ft·lb)**

**T1: 34±5 (3.5±0.5, 25.3±3.6)**

**T2: 41±10 (4.2±1.0, 30±7)**

**T3: 83±15 (8.5±1.5, 61±11)**