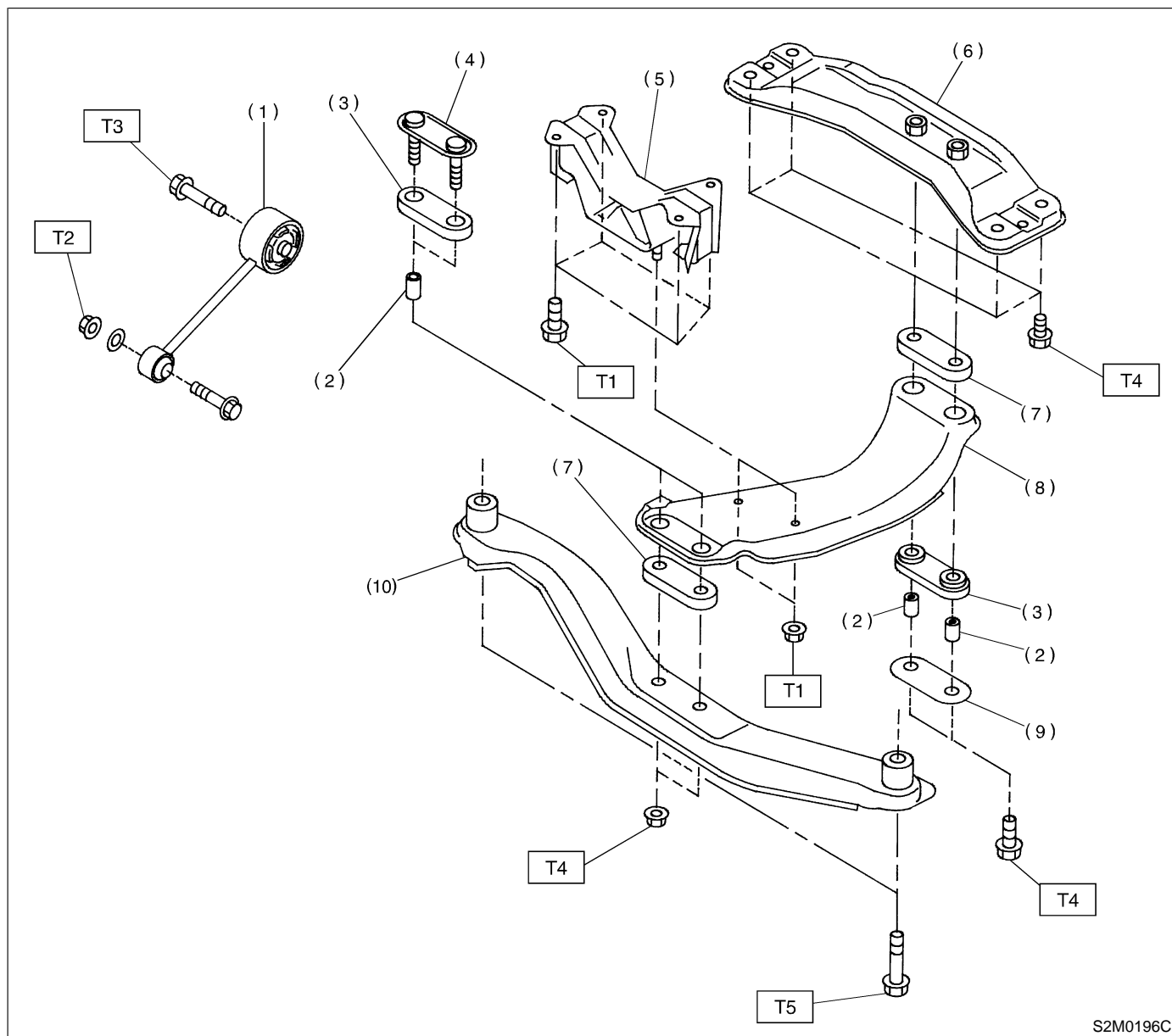


2. Transmission Mounting

A: MT MODEL



S2M0196C

- (1) Pitching stopper
- (2) Spacer
- (3) Cushion C
- (4) Front plate
- (5) Rear cushion rubber
- (6) Rear crossmember
- (7) Cushion D
- (8) Center crossmember
- (9) Rear plate
- (10) Front crossmember

Tightening torque: N·m (kg·m, ft·lb)

T1: 34±5 (3.5±0.5, 25.3±3.6)

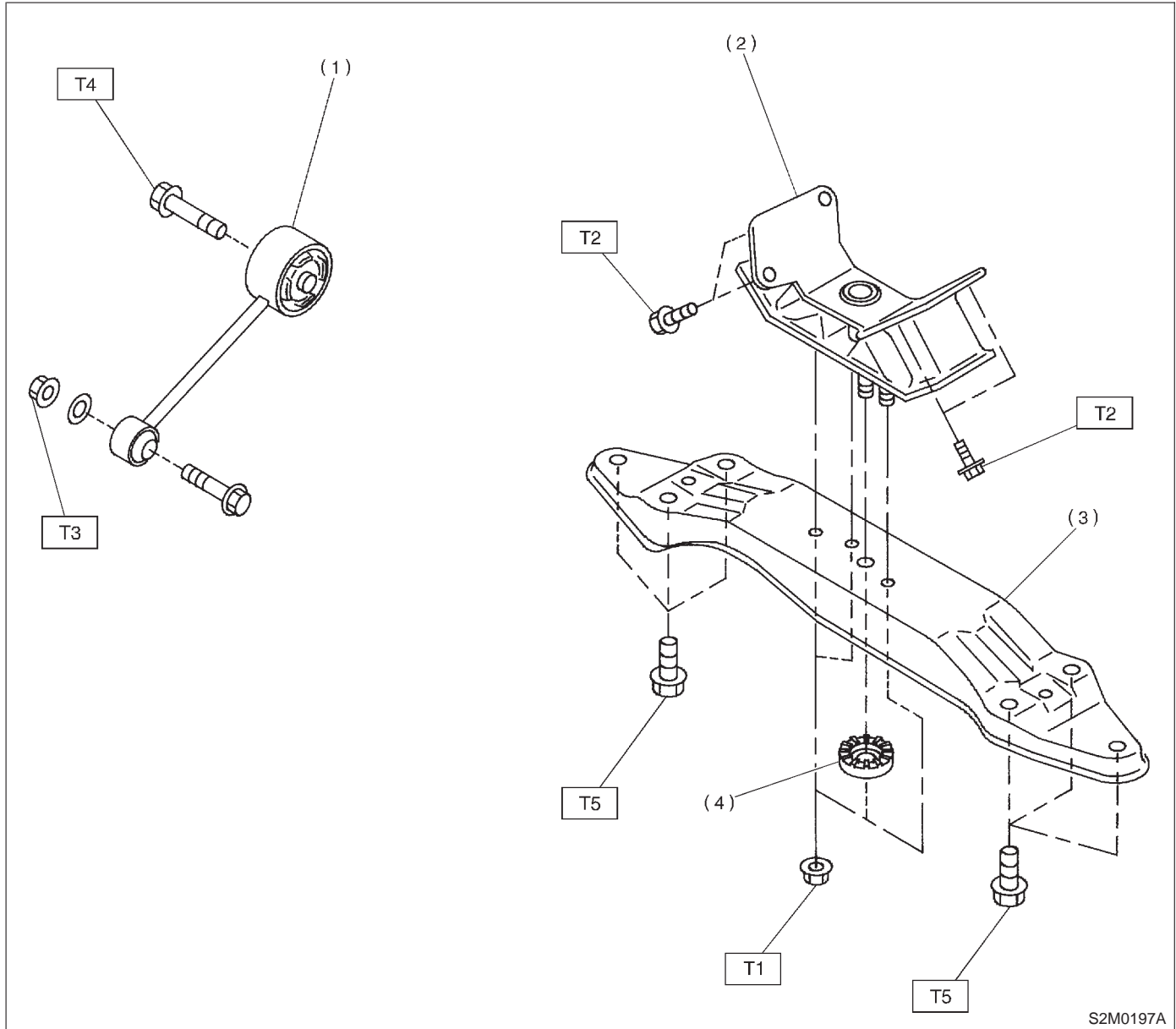
T2: 49±5 (5.0±0.5, 36.2±3.6)

T3: 57±10 (5.8±1.0, 42±7)

T4: 69±15 (7.0±1.5, 51±11)

T5: 137±20 (14±2, 101±14)

B: AT MODEL



- (1) Pitching stopper
- (2) Rear cushion rubber
- (3) Crossmember
- (4) Stopper

Tightening torque: N·m (kg·m, ft·lb)

T1: 34±5 (3.5±0.5, 25.3±3.6)

T2: 38±15 (3.9±1.5, 28±11)

T3: 49±5 (5.0±0.5, 36.2±3.6)

T4: 57±10 (5.8±1.0, 42±7)

T5: 69±15 (7.0±1.5, 51±11)