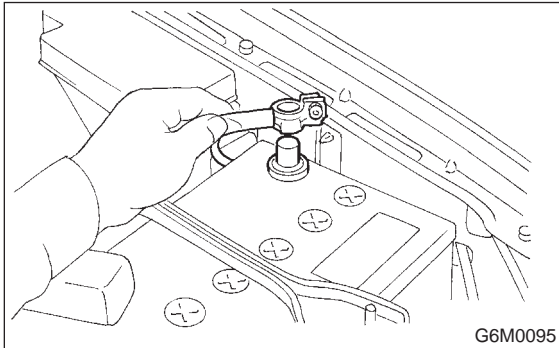


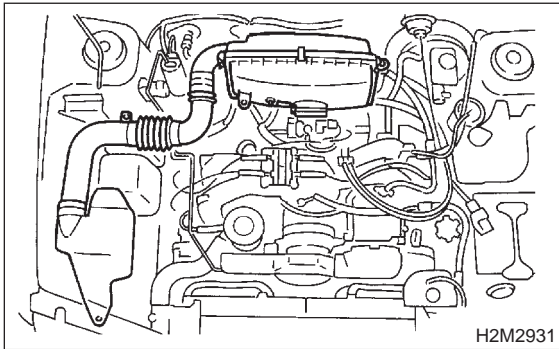
4. Engine Coolant Temperature Sensor

A: REMOVAL AND INSTALLATION

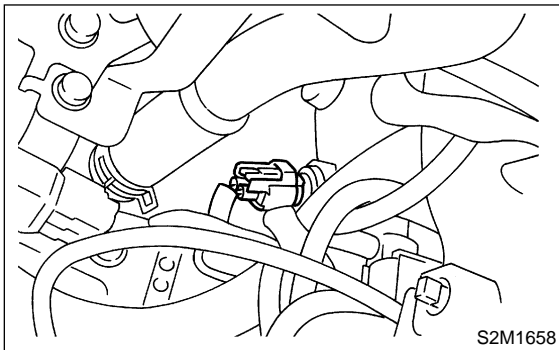
- 1) Disconnect battery ground cable.



- 2) Remove air intake duct and air cleaner assembly. <Ref. to 2-7 [W1A0].>



- 3) Disconnect connector from engine coolant temperature sensor.



- 4) Remove engine coolant temperature sensor.
5) Install in the reverse order of removal.

Tightening torque:

25 ± 3 N·m (2.5 ± 0.3 kg·m, 18.1 ± 2.2 ft·lb)

