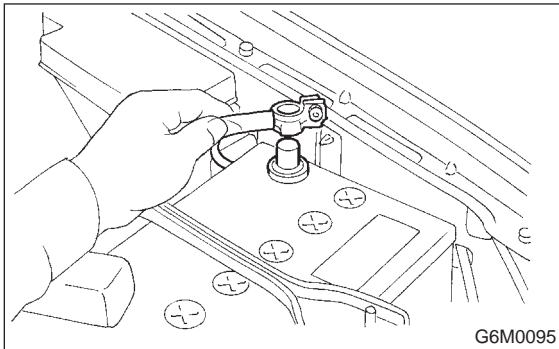


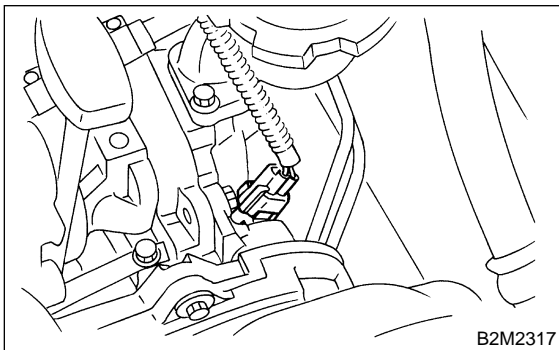
6. Camshaft Position Sensor

A: REMOVAL AND INSTALLATION

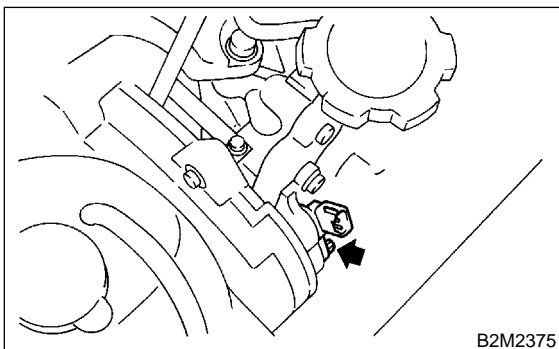
- 1) Disconnect battery ground cable.



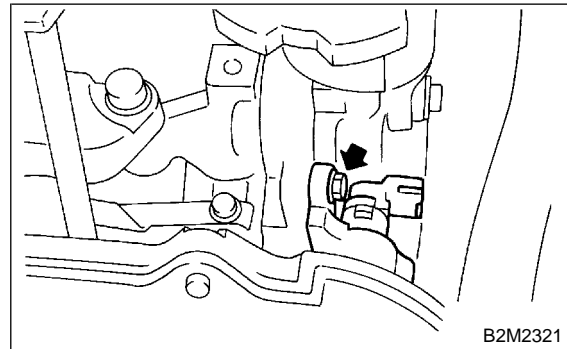
- 2) Disconnect connector from camshaft position sensor.



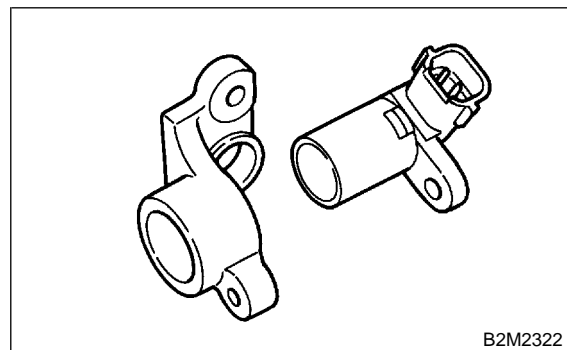
- 3) Remove bolt which installs camshaft position sensor to camshaft position sensor support.



- 4) Remove bolt which installs camshaft position sensor support to camshaft cap LH.



- 5) Remove camshaft position sensor and camshaft position sensor support as a unit.
6) Remove camshaft position sensor itself.



- 7) Install in the reverse order of removal.

Tightening torque:

- **Camshaft position sensor support;**
6.4±0.5 N·m (0.65±0.05 kg·m, 4.7±0.4 ft·lb)
- **Camshaft position sensor;**
6.4±0.5 N·m (0.65±0.05 kg·m, 4.7±0.4 ft·lb)