

## 11. Intake Air Temperature and Pressure Sensor

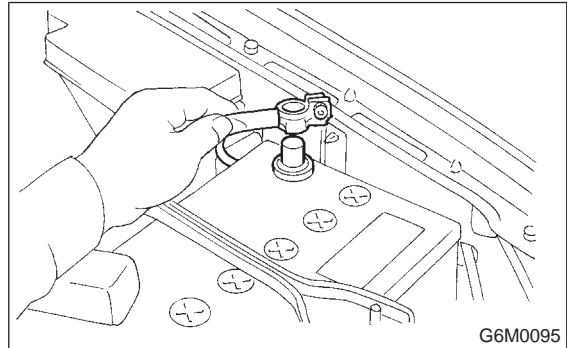
- 7) Select {Engine Control System} in Selection Menu.
- 8) Select {1. Current Data Display & Save} in Engine Control System Diagnosis.
- 9) Select {1.12 Data Display} in Data Display Menu.
- 10) Adjust throttle position sensor to the proper position to match with the following specifications.

**Condition: Throttle fully closed**  
**Throttle opening angle 0.00%**  
**Throttle sensor voltage 0.50 V**

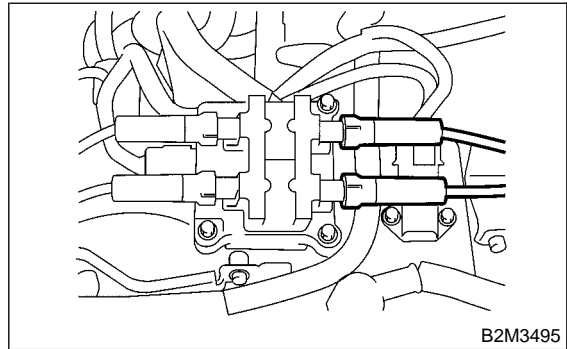
## 11. Intake Air Temperature and Pressure Sensor

### A: REMOVAL AND INSTALLATION

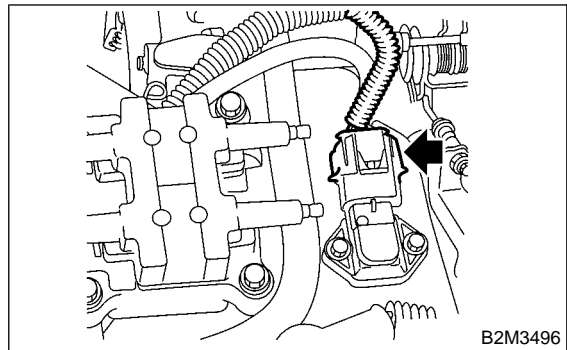
- 1) Disconnect battery ground cable.



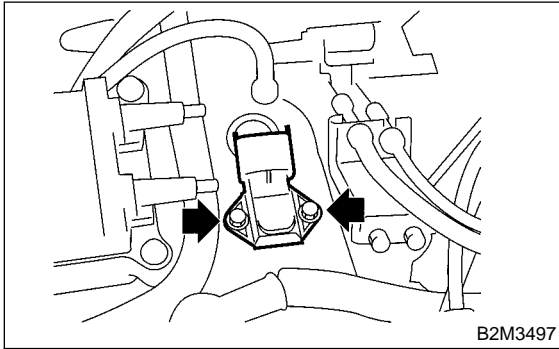
- 2) Disconnect spark plug cord from ignition coil and ignitor assembly.



- 3) Disconnect connector from intake air temperature and pressure sensor.



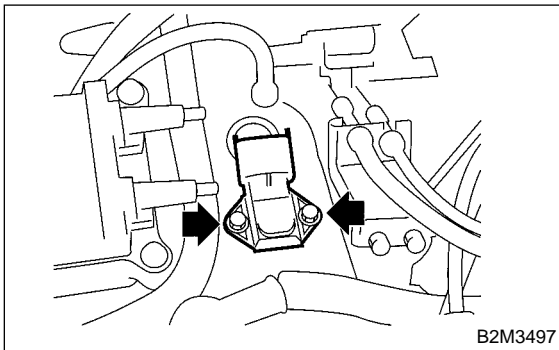
4) Remove intake air temperature and pressure sensor.



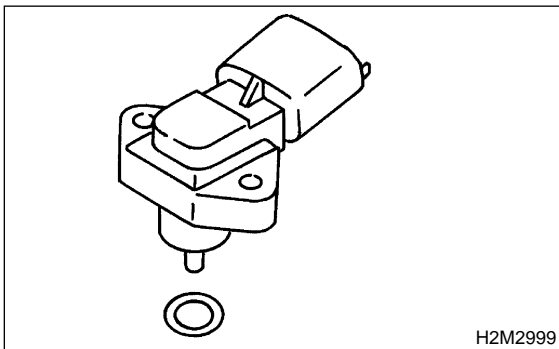
5) Install in the reverse order of removal.

**Tightening torque:**

**$2.0 \pm 0.4 \text{ N}\cdot\text{m}$  ( $0.2 \pm 0.04 \text{ kg}\cdot\text{m}$ ,  $1.4 \pm 0.3 \text{ ft}\cdot\text{lb}$ )**



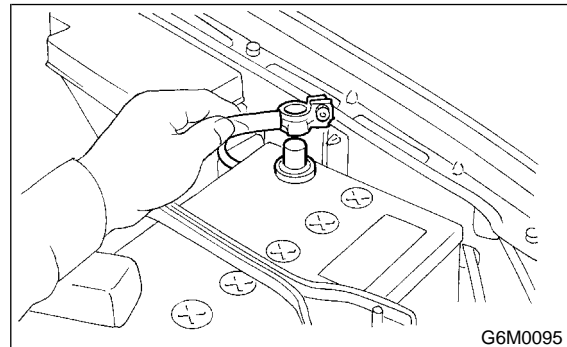
**CAUTION:**  
Replace O-ring with new one.



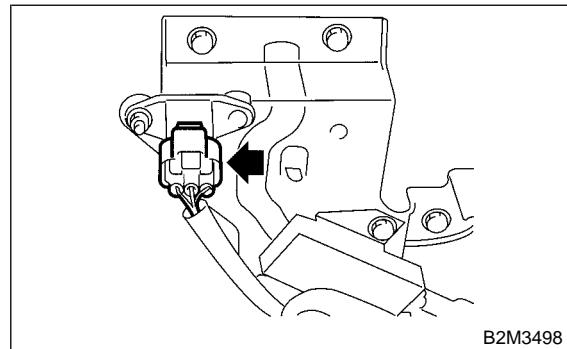
## 12. Atmospheric Pressure Sensor

### A: REMOVAL AND INSTALLATION

1) Disconnect battery ground cable.



2) Disconnect connector from atmospheric pressure sensor.



3) Remove atmospheric pressure sensor from bracket.

