

## 7. Lifting, Towing and Tie-down Points

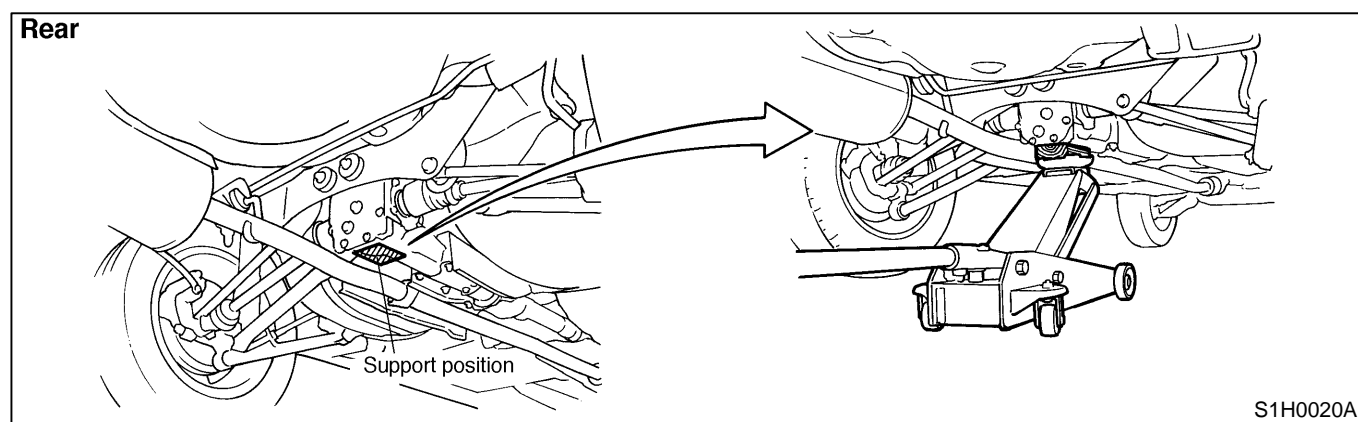
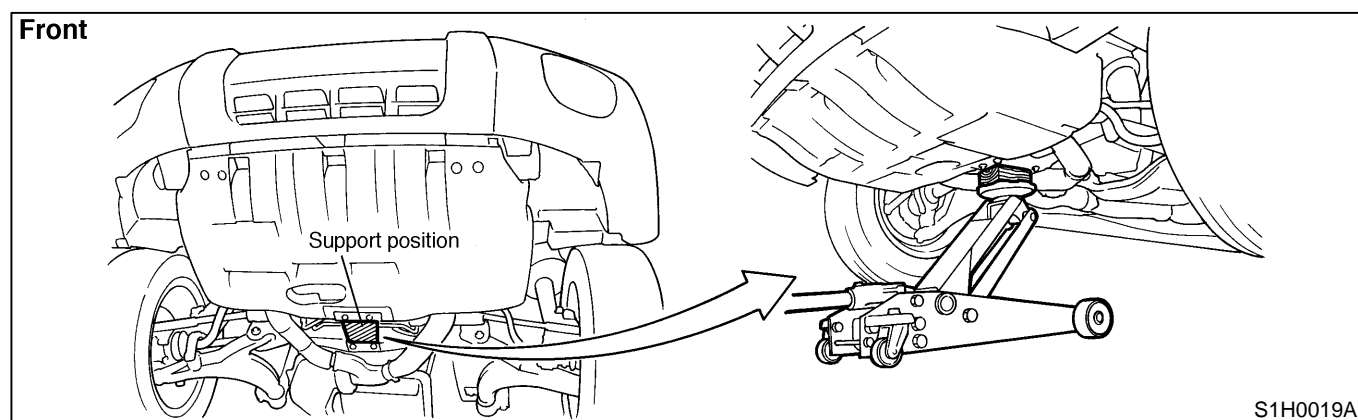
### WARNING:

- Never get under the vehicle while it is supported by a jack.
- When jacking up the vehicle, place chocks to hold wheels.
- After jacking up the vehicle with garage jack, be sure to support the vehicle with stands for safety.
- Be sure to lift vehicle at the same four positions as those for pantograph jack.

### CAUTION:

Be sure to lift, tow and tie-down the vehicle at the designated positions.

### A: GARAGE JACK



### B: PANTOGRAPH JACK, SAFETY STAND AND LIFT

#### WARNING:

- Never get under the vehicle while it is supported only by the jack. Always use safety stands to support body when you have to get under the car.
- Block the wheels diagonally by wheel chocks.

#### CAUTION:

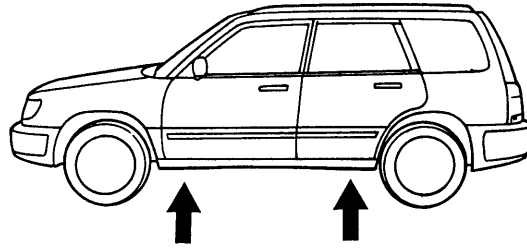
Make sure the jack is set at the correct position on the flange of side sill.

**1-3 [G7B0]**

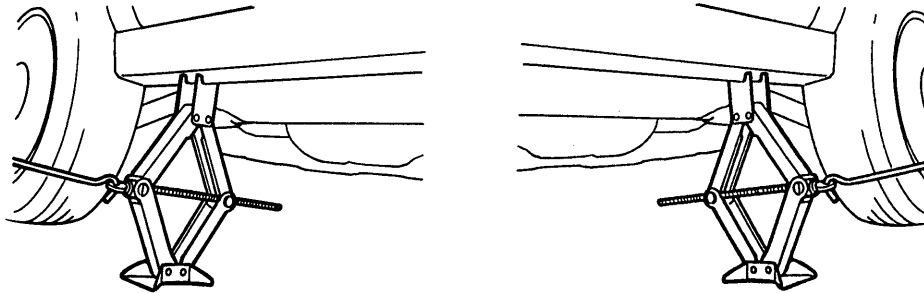
**GENERAL INFORMATION**

**7. Lifting, Towing and Tie-down Points**

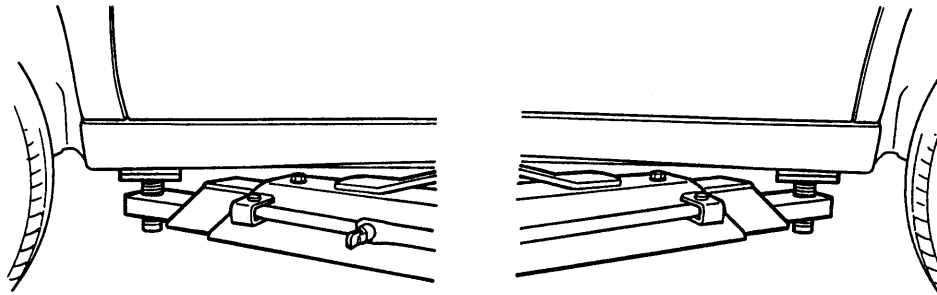
**Support locations**



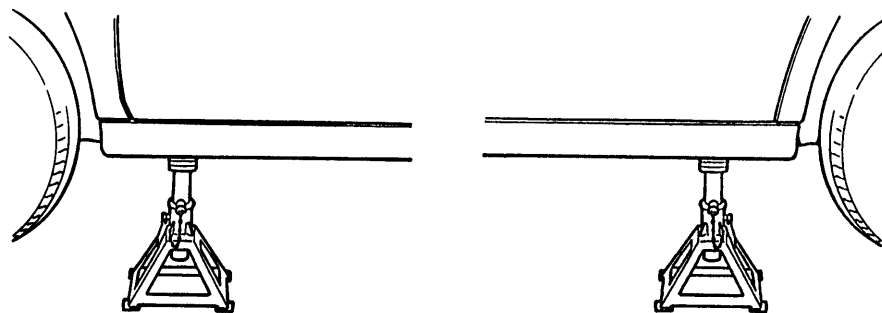
**Pantograph jack**



**Lift**



**Safety stand**



S1H0021

**C: TOWING AND TIE-DOWN HOOKS****CAUTION:**

- Avoid towing another car with front towing hooks.
- Do not tow a vehicle which is heavier than towing vehicle.
- Do not apply excessive lateral load to towing hook.
- Wrap the towing rope with cloth to prevent damaging bumper, etc.
- Keep the vehicle level during towing.
- Tie the front and rear tie-down hooks in the same direction.

