

## 1-5 [G11A1] PERIODIC MAINTENANCE SERVICES

### 11. Automatic Transmission Fluid

## 11. Automatic Transmission Fluid

		MAINTENANCE INTERVAL															
		[Number of months or km (miles), whichever occurs first]															
Months	3	7.5	15	22.5	30	37.5	45	52.5	60	67.5	75	82.5	90	97.5	105	112.5	120
× 1,000 km	4.8	12	24	36	48	60	72	84	96	108	120	132	144	156	168	180	192
× 1,000 miles	3	7.5	15	22.5	30	37.5	45	52.5	60	67.5	75	82.5	90	97.5	105	112.5	120
					I				I				I				I

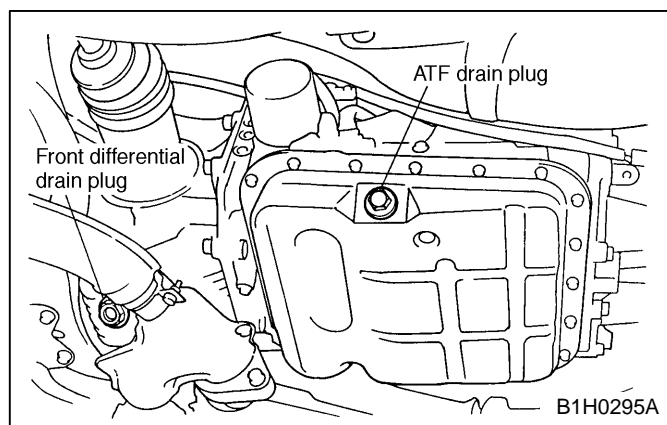
### A: REPLACEMENT

#### 1. AUTOMATIC TRANSMISSION FLUID

##### CAUTION:

**Before starting work, cool off the engine well.**

1) Drain ATF (Automatic Transmission Fluid) by removing drain plug after allowing the engine to cool for 3 to 4 hours.



2) Reinstall drain plug after draining ATF, and tighten it to the specified torque.

##### **Tightening torque:**

**$25 \pm 2 \text{ N.m}$  ( $2.5 \pm 0.2 \text{ kg-m}$ ,  $18.1 \pm 1.4 \text{ ft-lb}$ )**

3) Fill ATF up to the middle of the "COLD" side on level gauge by using the gauge hole.

##### **Recommended fluid:**

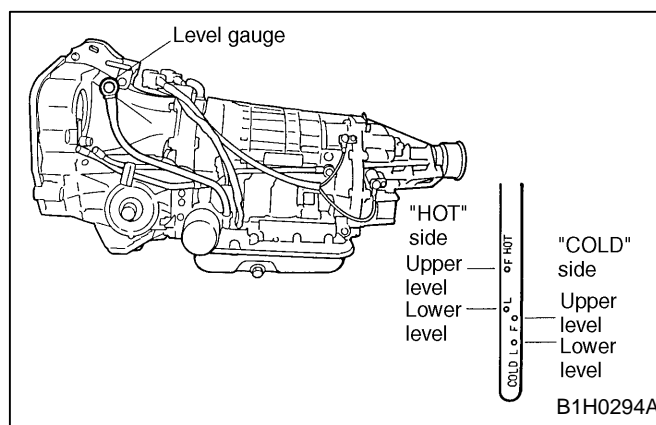
**Dexron II, IIE or Dexron III type automatic transmission fluid**

##### **Fluid capacity:**

**9.3 — 9.6 l**

**(9.8 — 10.1 US qt, 8.2 — 8.4 Imp qt)**

4) Run the vehicle until the ATF temperature rises to 60 to 80 °C (140 to 176 °F) and check the ATF level.



#### 2. ATF FILTER

##### NOTE:

ATF filter is maintenance free part. ATF filter needs replacement, when it has physically damaged or ATF leaked.

For the replacement procedures of the ATF filter, refer to "AUTOMATIC TRANSMISSION AND DIFFERENTIAL" section. <Ref. to 3-2 [W600].>