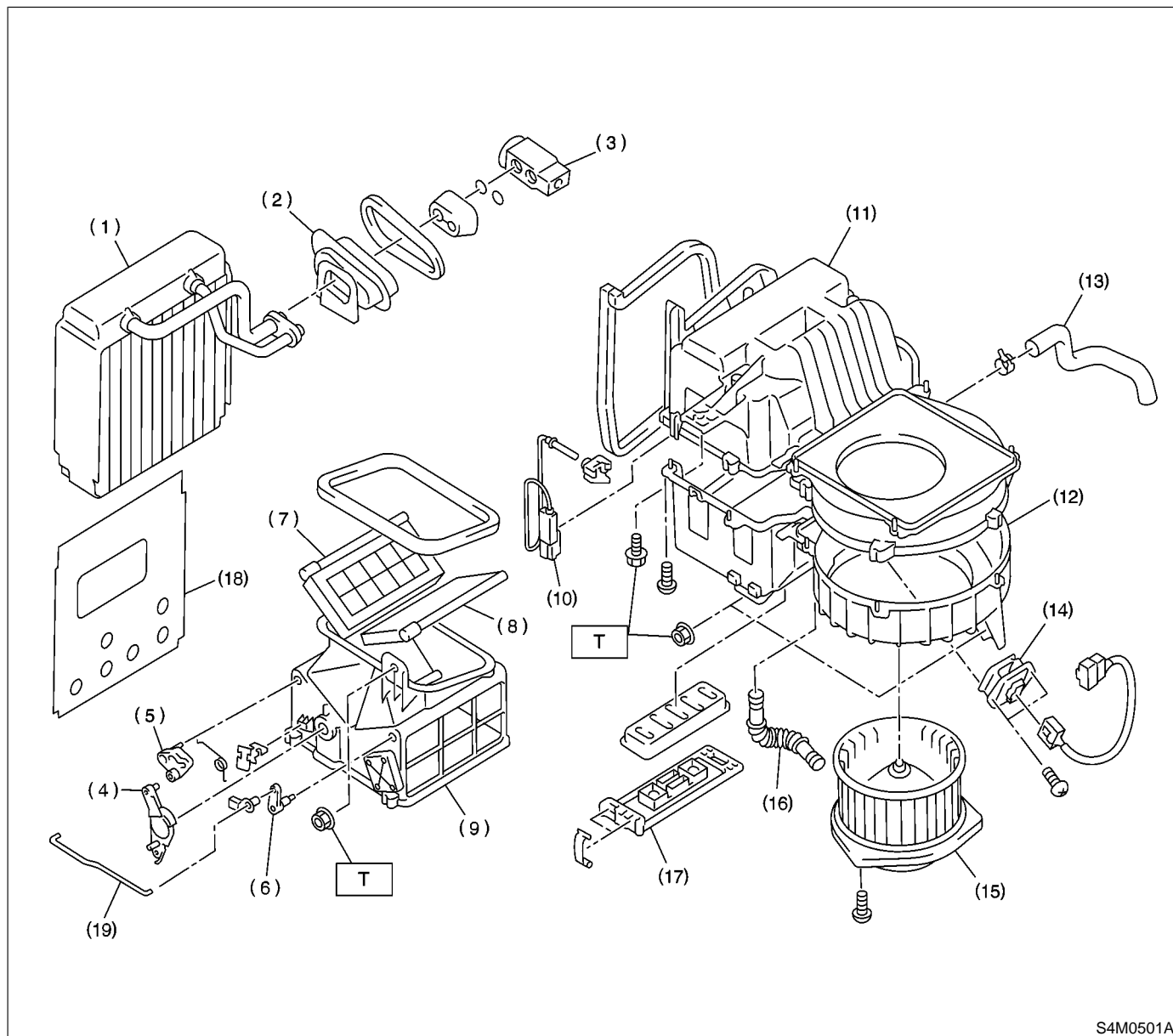


2. Intake Unit with Evaporator



S4M0501A

- | | | |
|---------------------------|-----------------------------|----------------|
| (1) Evaporator | (9) Intake unit case inlet | (17) Cover |
| (2) Boot | (10) Thermistor | (18) Separator |
| (3) Block expansion valve | (11) Intake unit case upper | (19) Rod |
| (4) Link | (12) Intake unit case lower | |
| (5) Lever (A) | (13) Drain hose | |
| (6) Lever (B) | (14) Resistor | |
| (7) Door (A) | (15) Blower motor ASSY | |
| (8) Door (B) | (16) Aspirator pipe | |

Tightening torque: N·m (kg·m, ft·lb)
T: 7.35±1.96
(0.750±0.200, 5.421±1.446)
