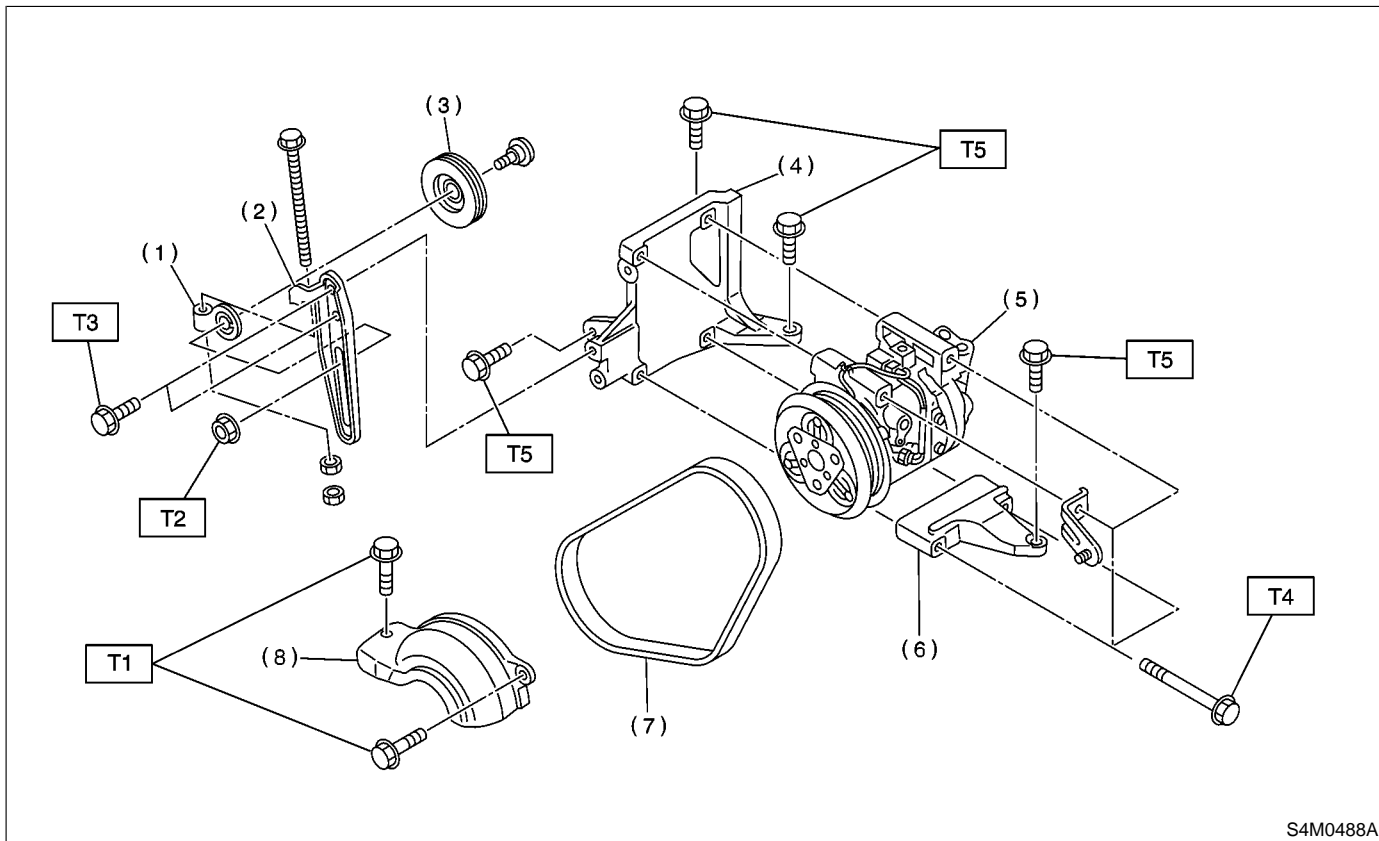


3. Compressor



S4M0488A

- (1) Idler pulley adjuster
- (2) Idler pulley bracket
- (3) Idler pulley
- (4) Compressor bracket upper
- (5) Compressor
- (6) Compressor bracket lower
- (7) V-belt
- (8) Compressor belt cover

Tightening torque: N·m (kg·m, ft·lb)

T1: 7.4±2 (0.75±0.2, 5.4±1.4)

T2: 23±3 (2.3±0.3, 17±2.2)

T3: 23.0±3 (2.35±0.3, 17.0±2.2)

T4: 28.9±4.4 (2.95±0.45, 21.3±3.3)

T5: 35±4 (3.6±0.4, 26±2.9)