

## 16. Flexible Hose

### A: REMOVAL AND INSTALLATION

**CAUTION:**

With the following cautions, replace flexible hoses with new ones if they are damaged or swollen.

- The flexible hoses should be free from twists and tension after they have been connected.
- The flexible hoses must not be bent or twisted forcibly.

- 1) Disconnect battery negative terminal.
- 2) Discharge refrigerant using refrigerant recovery system. <Ref. to 4-7 [W600].>
- 3) Remove low-pressure hose (A):

**CAUTION:**

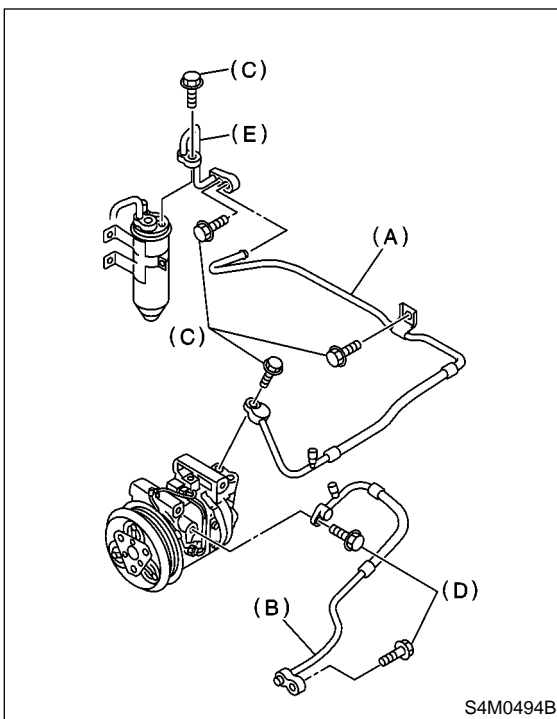
Plug the opening to prevent foreign matter from getting in.

- (1) Remove hose attaching bolts (C).
- (2) Remove the hose assembly from evaporator unit.
- (3) Disconnect the low-pressure hose (A) from the hose assembly (E).
- 4) Remove high-pressure hose (B):

**CAUTION:**

Plug the opening to prevent foreign matter from getting in.

- (1) Remove hose attaching bolt (D).
- (2) Remove high-pressure hose (B).



- 5) Install in the reverse order of removal.
- 6) Charge refrigerant. <Ref. to 4-7 [W700].>

## 17. Relay and Fuse

### A: LOCATION

Relays used with A/C system are located as shown in the figure.

- A/C relay
- Sub fan (condenser fan) relay
- Fuses (15 A and 20 A)

