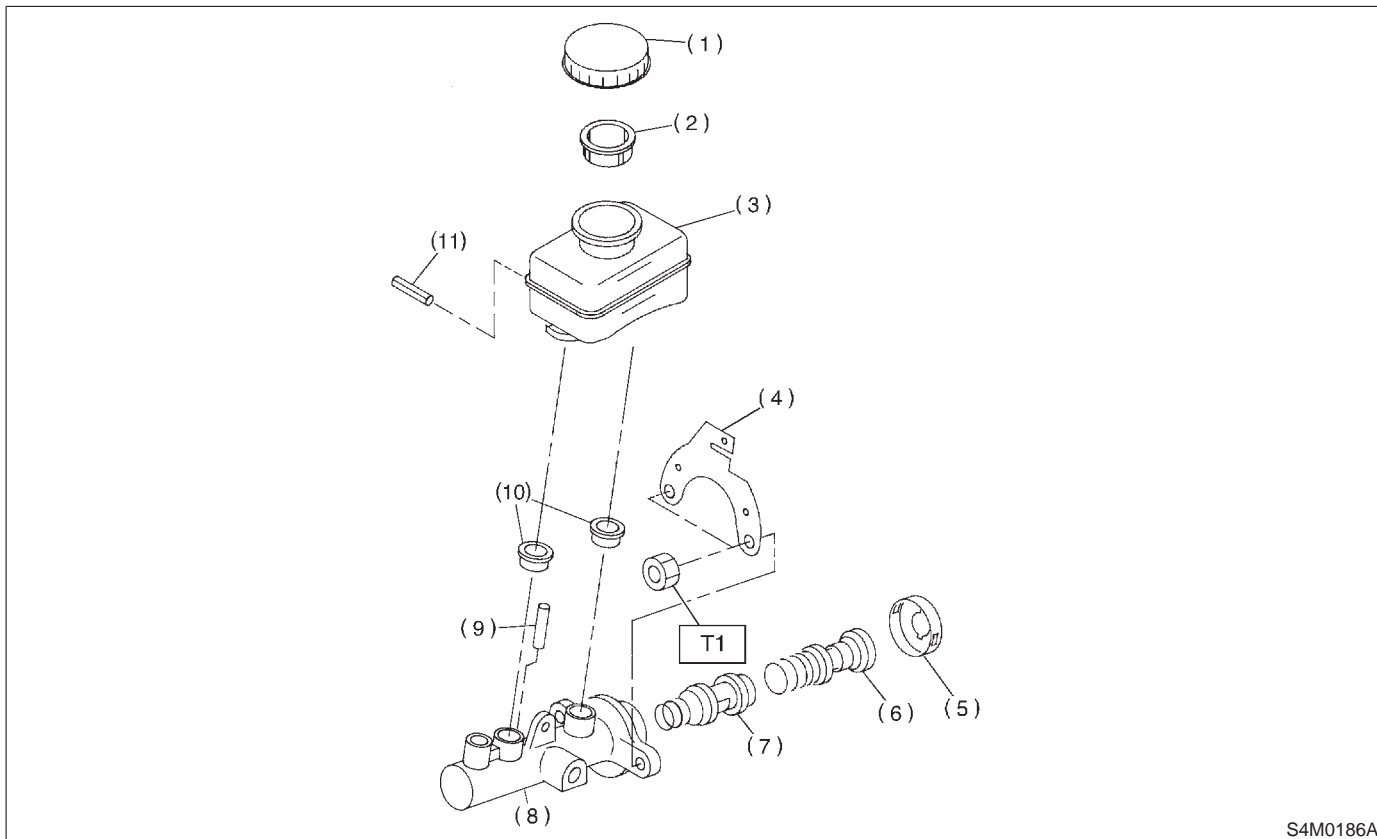


4. Master Cylinder



S4M0186A

- (1) Cap
- (2) Filter
- (3) Reservoir tank
- (4) Bracket
- (5) Piston retainer

- (6) Primary piston
- (7) Secondary piston
- (8) Cylinder body
- (9) Cylinder pin
- (10) Seal

- (11) Pin

Tightening torque: N·m (kg·m, ft·lb)

T1: 14±4 (1.4±0.4, 10.1±2.9)