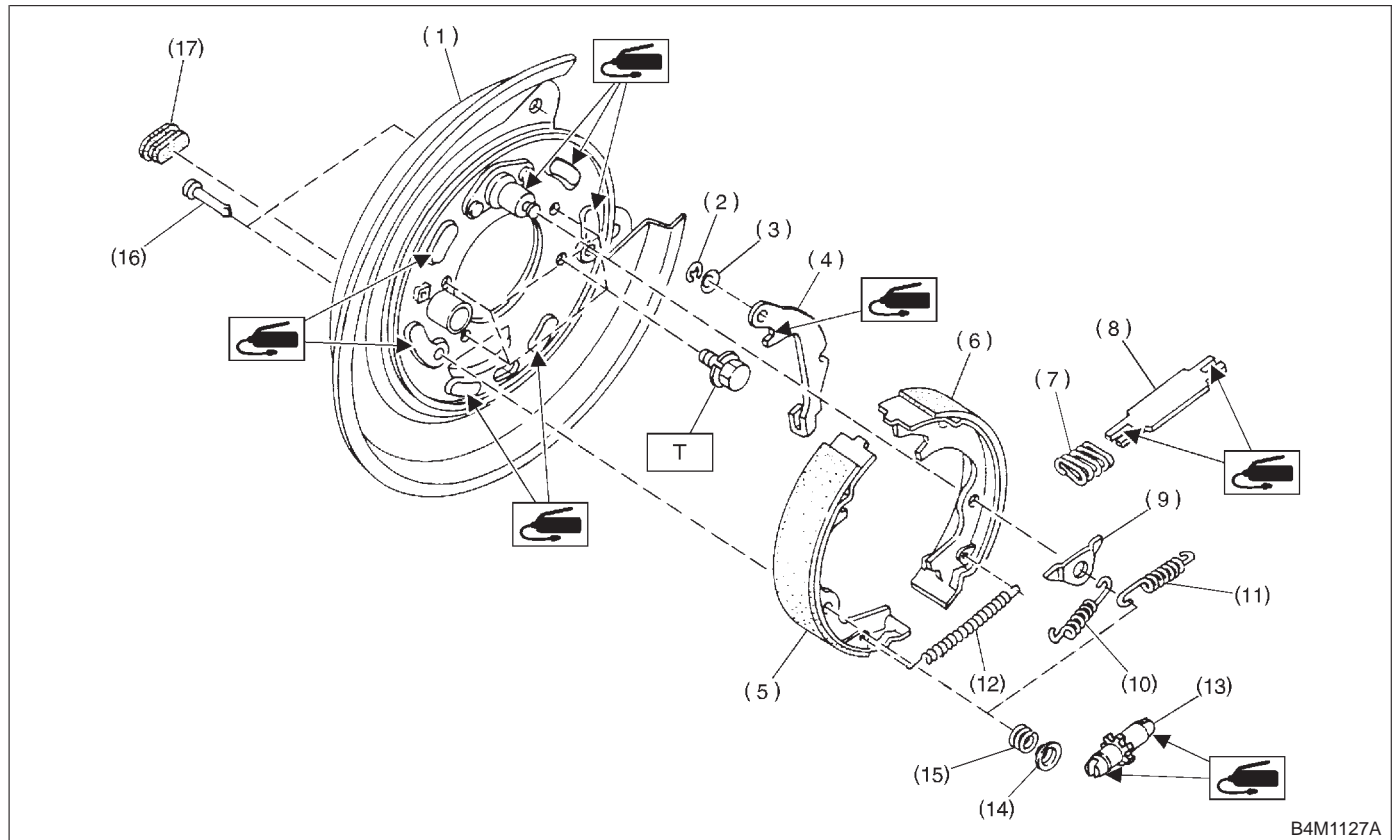


## 4. Parking Brake (Rear Disc Brake)

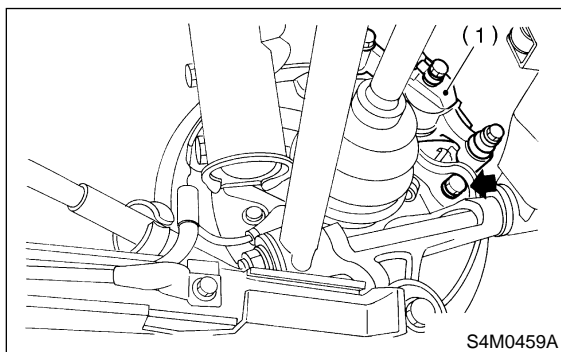
### A: REMOVAL



- |                                    |                              |                            |
|------------------------------------|------------------------------|----------------------------|
| (1) Back plate                     | (8) Strut                    | (15) Shoe hold down spring |
| (2) Retainer                       | (9) Shoe guide plate         | (16) Shoe hold down pin    |
| (3) Spring washer                  | (10) Primary return spring   | (17) Adjusting hole cover  |
| (4) Lever                          | (11) Secondary return spring |                            |
| (5) Parking brake shoe (Primary)   | (12) Adjusting spring        |                            |
| (6) Parking brake shoe (Secondary) | (13) Adjuster                |                            |
| (7) Strut spring                   | (14) Shoe hold-down cup      |                            |

**Tightening torque: N·m (kg·m, ft·lb)**  
**T: 52±6 (5.3±0.6, 38.3±4.3)**

1) Remove the two mounting bolts to the disc brake assembly and remove the disc brake assembly.



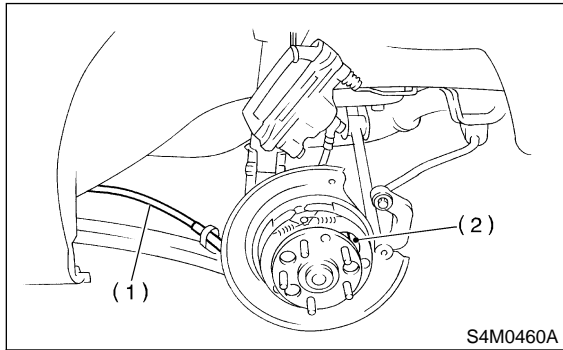
(1) Disc brake

2) Suspend the disc brake assembly so that the hose is not stretched.

- 3) Remove the disc rotor.
- 4) Remove shoe return spring from parking brake assembly.
- 5) Remove front shoe hold down spring and pin with pliers.
- 6) Remove strut and strut spring.
- 7) Remove adjuster assembly from parking brake assembly.
- 8) Remove brake shoe.
- 9) Remove rear shoe hold-down spring and pin with pliers.

## 4. Parking Brake (Rear Disc Brake)

10) Remove parking cable from parking lever.



- (1) Parking brake cable  
(2) Parking brake lever

11) Using a standard screwdriver, raise retainer. Remove parking lever and washer from brake shoe.

**B: INSPECTION**

1) Measure brake disc inside diameter. If the disc is scored or worn, replace the brake disc.

**Disc inside diameter:****Standard**

170 mm (6.69 in)

**Service limit**

171 mm (6.73 in)

2) Measure the lining thickness. If it exceeds the limit, replace shoe assembly.

**Lining thickness:****Standard**

3.2 mm (0.126 in)

**Service limit**

1.5 mm (0.059 in)

**CAUTION:**

Replace the brake shoes on the right and left brake assembly at the same time.

**C: INSTALLATION****CAUTION:**

Be sure lining surface is free from oil contamination.

**Brake grease:**

**Dow Corning Molykote No 7439 (Part No. 725191460)**

1) Apply brake grease to the following places.

- The six contact surfaces of shoe rim and back plate packing
- Contact surface of shoe wave and anchor pin
- Contact surface of lever and strut
- Contact surface of shoe wave and adjuster assembly
- Contact surface of shoe wave and strut
- Contact surface of lever and shoe wave

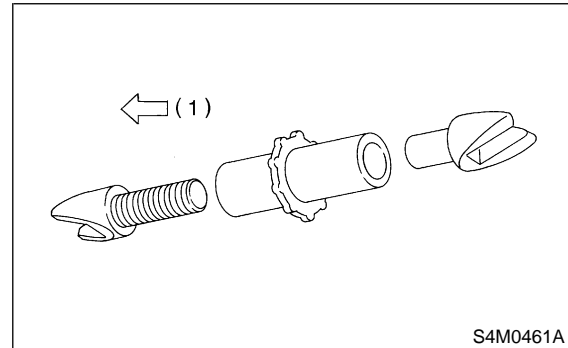
2) Install in the reverse order of removal.

**CAUTION:**

- Use new retainers and clinch them when installing brake shoes to levers.
- Ensure that parking lever moves smoothly.
- Do not confuse left parking lever with right one.
- Do not confuse left strut with right one.

**NOTE:**

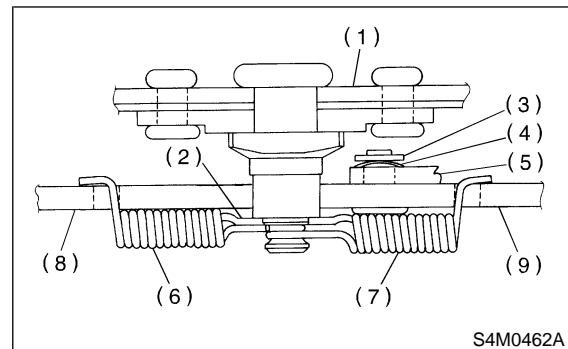
Ensure that adjuster assembly is securely installed with screw in the left side, facing vehicle front.



- (1) LEFT

**NOTE:**

Ensure that shoe return spring is installed as shown in Figure.



- (1) Back plate  
(2) Shoe guide plate  
(3) Retainer  
(4) Spring washer  
(5) Lever  
(6) Primary shoe return spring (Blue)  
(7) Secondary shoe return spring (Yellow)  
(8) Parking brake shoe (Primary)  
(9) Parking brake shoe (Secondary)

3) Adjust parking brakes. <Ref. to 4-4 [W4D1].>

**CAUTION:**

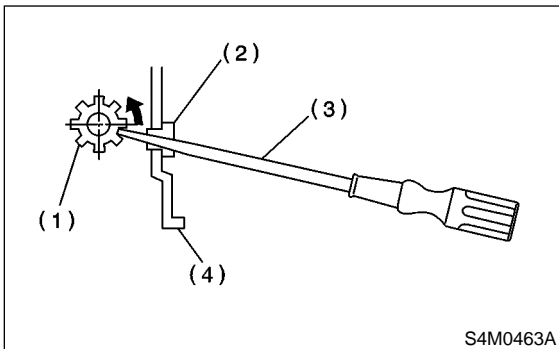
After replacing parking brake lining, be sure to drive vehicle for “break-in” purposes.

- (1) Drive the vehicle about 35 km/h (22 MPH).
- (2) With the parking brake release button pushed in, pull the parking brake lever gently, pulling with a force of approximately 147 N (15 kg, 33 lb).
- (3) Drive the vehicle for about 200 m (0.12 mile) in this condition.
- (4) Wait 5 to 10 minutes for the parking brake to cool down. Repeat this procedure once more.
- (5) After breaking-in, re-adjust parking brakes.

**D: ADJUSTMENT**

**1. SHOE CLEARANCE**

- 1) Remove adjusting hole cover from back plate.
- 2) Turn adjusting screw using a slot-type screwdriver until brake shoe is in close contact with disc rotor.

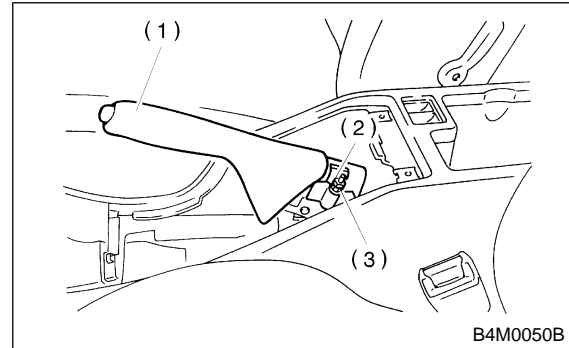


- (1) Adjusting screw
- (2) Cover (rubber)
- (3) Slot-type screwdriver
- (4) Back plate

- 3) Turn back (downward) adjusting screw 3 or 4 notches.
- 4) Install adjusting hole cover to back plate.

**2. LEVER STROKE**

- 1) Remove console box lid.
- 2) Forcibly pull parking brake lever 3 to 5 times.
- 3) Adjust parking brake lever by turning adjusting nut until parking brake lever stroke is set at 7 to 8 notches with operating force of 196 N (20 kg, 44 lb).



- (1) Parking brake lever
- (2) Lock nut
- (3) Adjusting nut

- 4) Tighten lock nut.
- 5) Install console box lid.

**Lever stroke:**

**7 to 8 notches when pulled with a force of 196 N (20 kg, 44 lb)**

**Tightening torque (Lock nut):**

**5.9±1.5 N·m (0.60±0.15 kg·m, 4.3±1.1 ft·lb)**