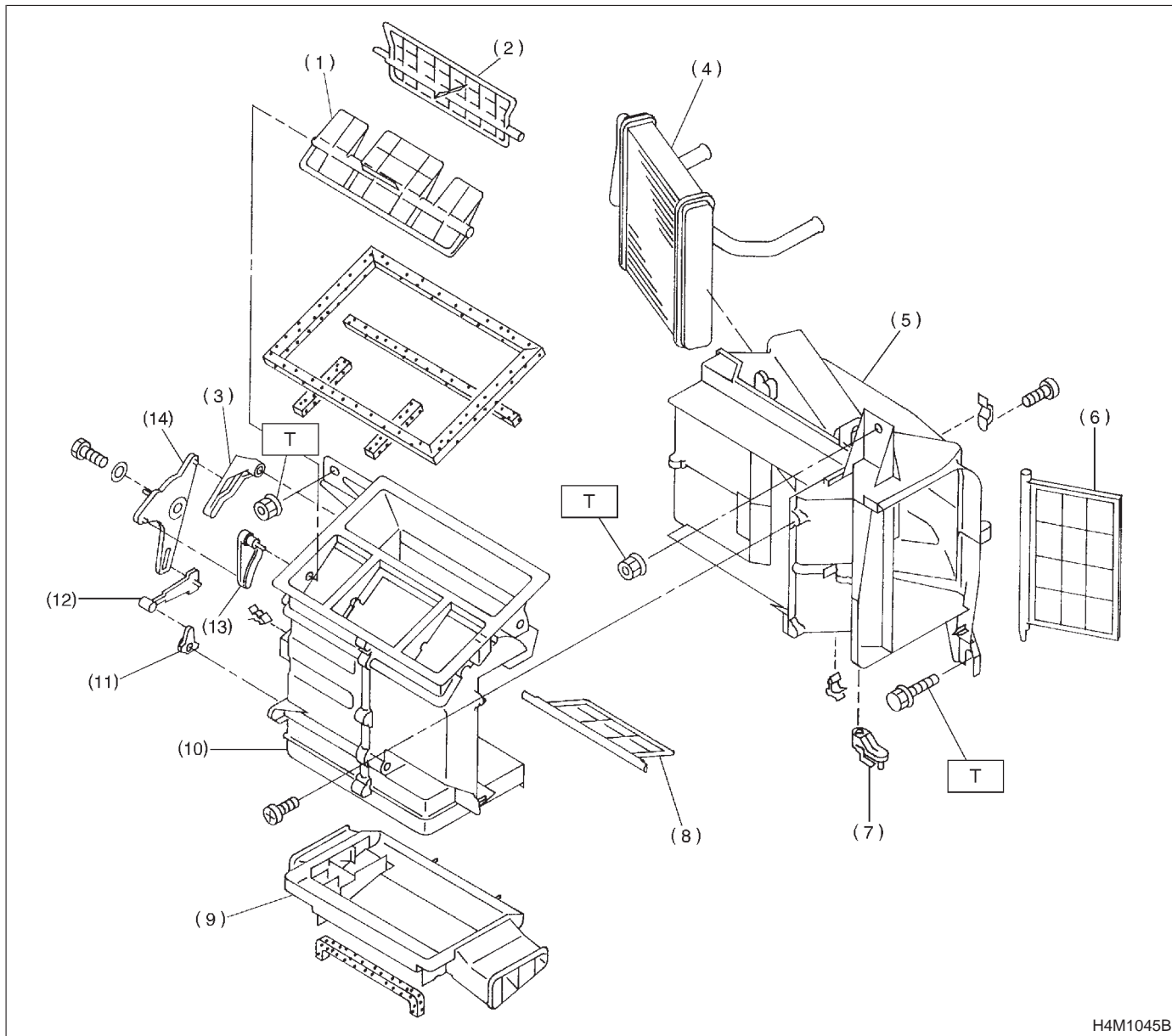


1. Heater Unit



H4M1045B

- (1) Vent door
- (2) DEF door
- (3) DEF lever
- (4) Heater core
- (5) Heater case FRONT
- (6) Mix door

- (7) Mix lever
- (8) Foot door
- (9) Foot duct
- (10) Heater case REAR
- (11) Foot lever lower
- (12) Foot lever upper

- (13) Vent lever
- (14) Side link

Tightening torque: N·m (kg·m, ft·lb)
T: 7.35±1.96
(0.750±0.200, 5.421±1.446)