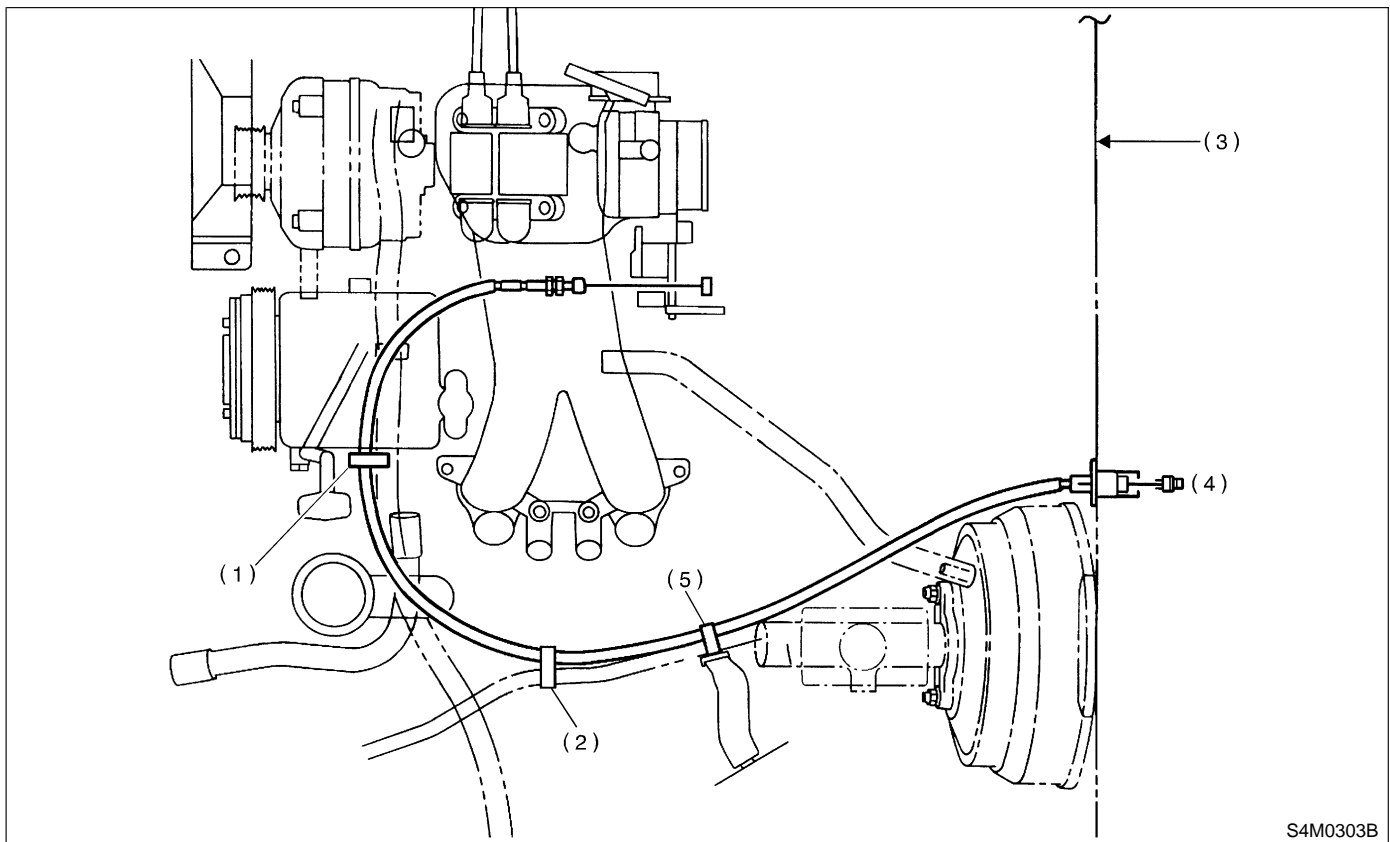


2. Accelerator Cable

A: REMOVAL

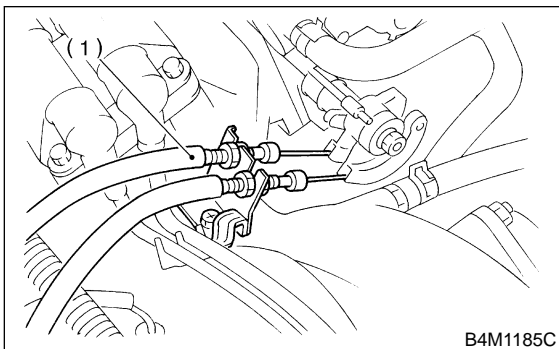


S4M0303B

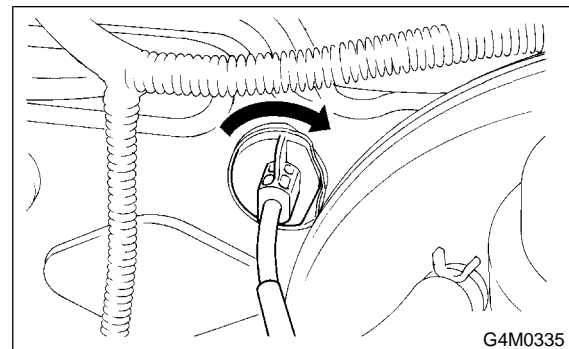
- | | | |
|----------|--------------------------|----------|
| (1) Clip | (3) Toe board | (5) Clip |
| (2) Clip | (4) To accelerator pedal | |

- 1) Disconnect accelerator cable from connector inside engine compartment first.
- 2) Remove lock nut from accelerator cable bracket.
- 3) Separate accelerator cable (1) from bracket, then unlock inner cable.

- 5) Disconnect cable end from accelerator cable bracket inside driver compartment.
- 6) Remove clip inside engine compartment.
- 7) Working inside engine compartment, remove the casing cap out of the toe board by turning it clockwise.



B4M1185C



G4M0335

- 4) Remove cable end from throttle cam using your fingertips.

- 8) Pull out the cable from the toe board hole.

CAUTION:
Be careful not to bend inner cable.

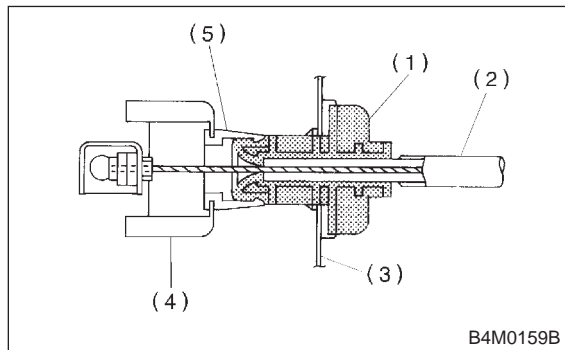
B: INSTALLATION

1) Install in the reverse order of removal.

2) Adjustment after cable installation; <Ref. to 4-5 [W1A3].>

CAUTION:

- Be careful not to kink accelerator cable.
- Make sure that holder and casing cap are securely connected.



- (1) Casing cap
- (2) Accelerator cable
- (3) Toe board
- (4) Accelerator pedal bracket
- (5) Holder