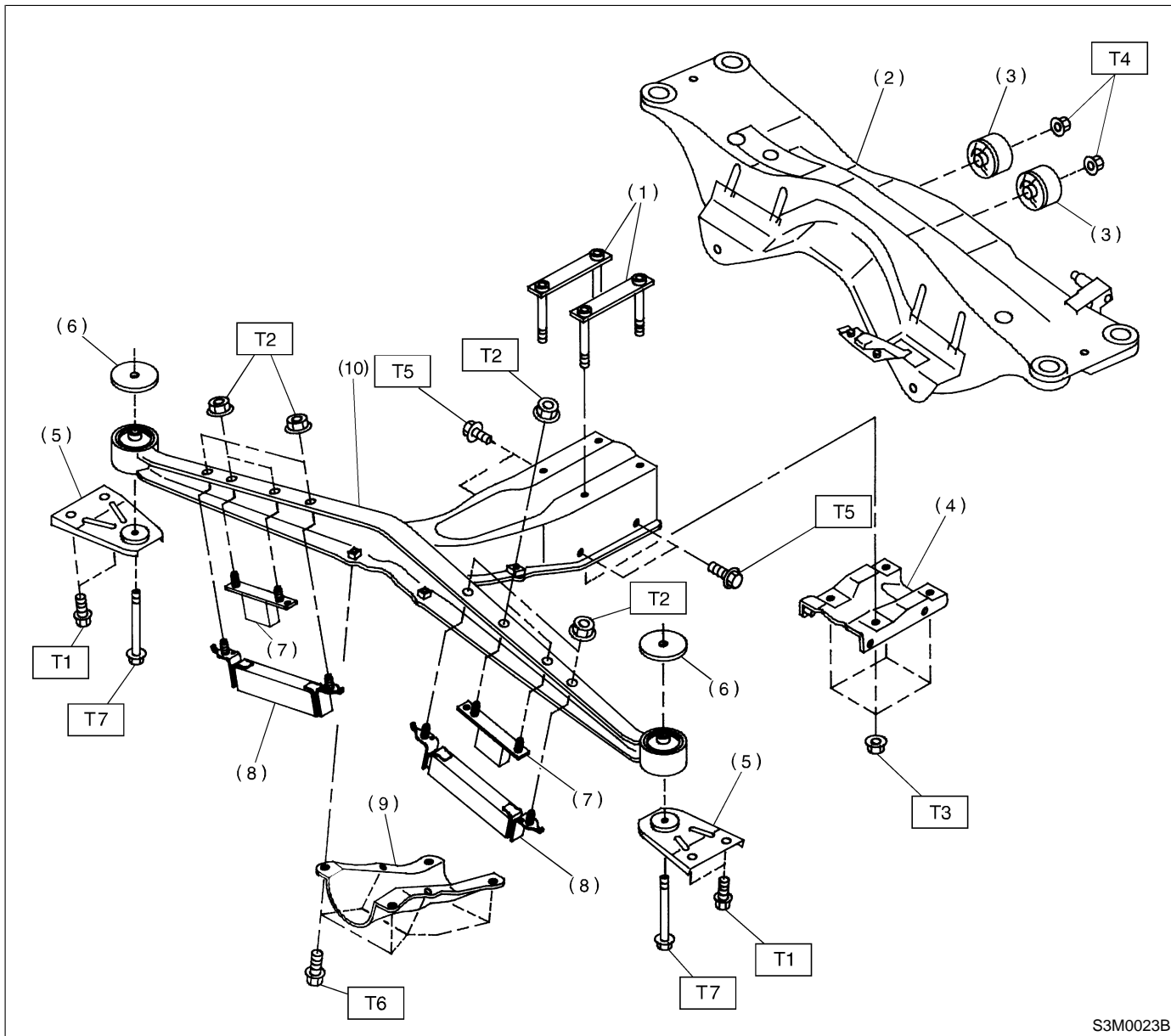


3. Rear Differential Mounting System



- (1) Plate
- (2) Crossmember
- (3) Rear bushing
- (4) Differential mount lower bracket
- (5) Differential mount bracket
- (6) Stopper
- (7) Mass damper (AT vehicles)
- (8) Dynamic damper (MT vehicles)
- (9) Differential mount front cover
- (10) Differential front member

Tightening torque: N-m (kg-m, ft-lb)

- T1: 32±8 (3.3±0.8, 23.9±5.8)**
- T2: 40±10 (4.1±1.0, 29.7±7.2)**
- T3: 64±8 (6.5±0.8, 47.0±5.8)**
- T4: 69±8 (7.0±0.8, 50.6±5.8)**
- T5: 69±10 (7.0±1.0, 51.0±7.2)**
- T6: 88±10 (9.0±1.0, 65.0±7.2)**
- T7: 98±10 (10.0±1.0, 72.0±7.2)**