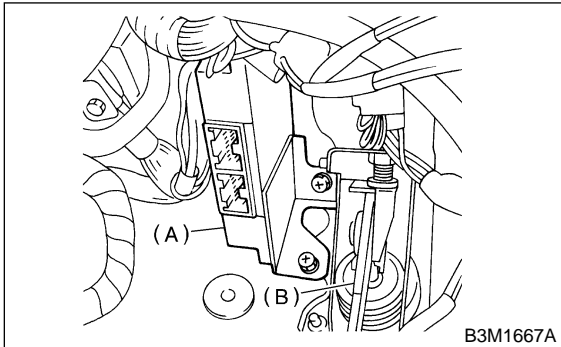


B: INSTALLATION

- 1) Install TCM to brake pedal bracket.

Tightening torque:

$7.4 \pm 2.0 \text{ N}\cdot\text{m}$ ($0.75 \pm 0.2 \text{ kg}\cdot\text{m}$, $5.4 \pm 1.4 \text{ ft}\cdot\text{lb}$)

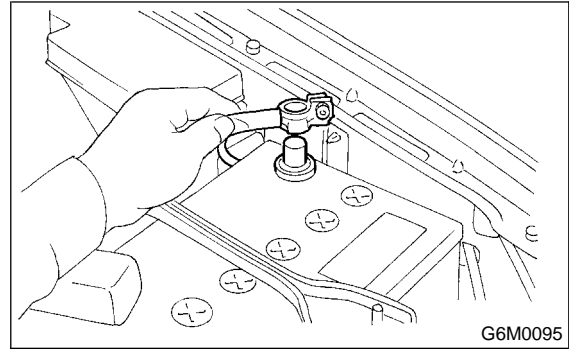


- (A) Transmission control module
(B) Brake pedal bracket

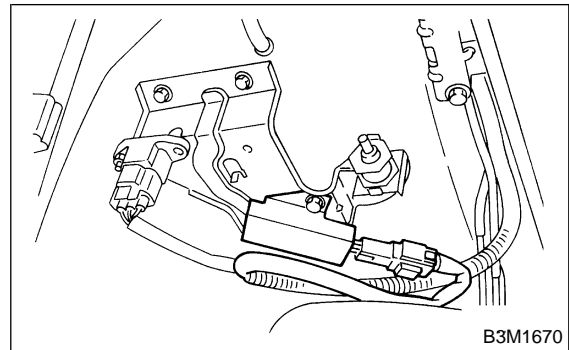
- 2) Connect connectors to TCM.
- 3) Install lower cover and then connect connector.
- 4) Connect battery terminal.

24. Dropping Resistor**A: REMOVAL AND INSTALLATION**

- 1) Disconnect battery ground terminal.



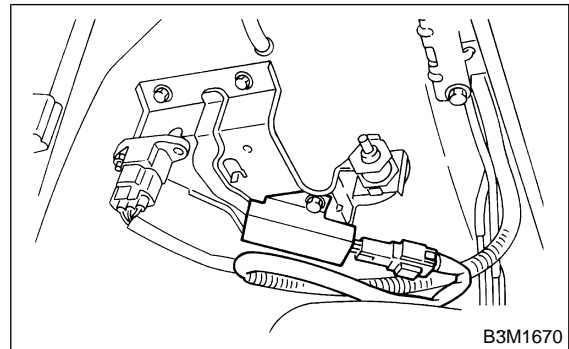
- 2) Remove air intake duct. <Ref. to 2-7 [W1A0].>
- 3) Disconnect connector from dropping resistor.
- 4) Remove dropping resistor from bracket.



- 5) Install dropping resistor.

Tightening torque:

$6.4 \pm 0.5 \text{ N}\cdot\text{m}$ ($0.65 \pm 0.05 \text{ kg}\cdot\text{m}$, $4.7 \pm 0.4 \text{ ft}\cdot\text{lb}$)



- 6) Install in the reverse order of removal.