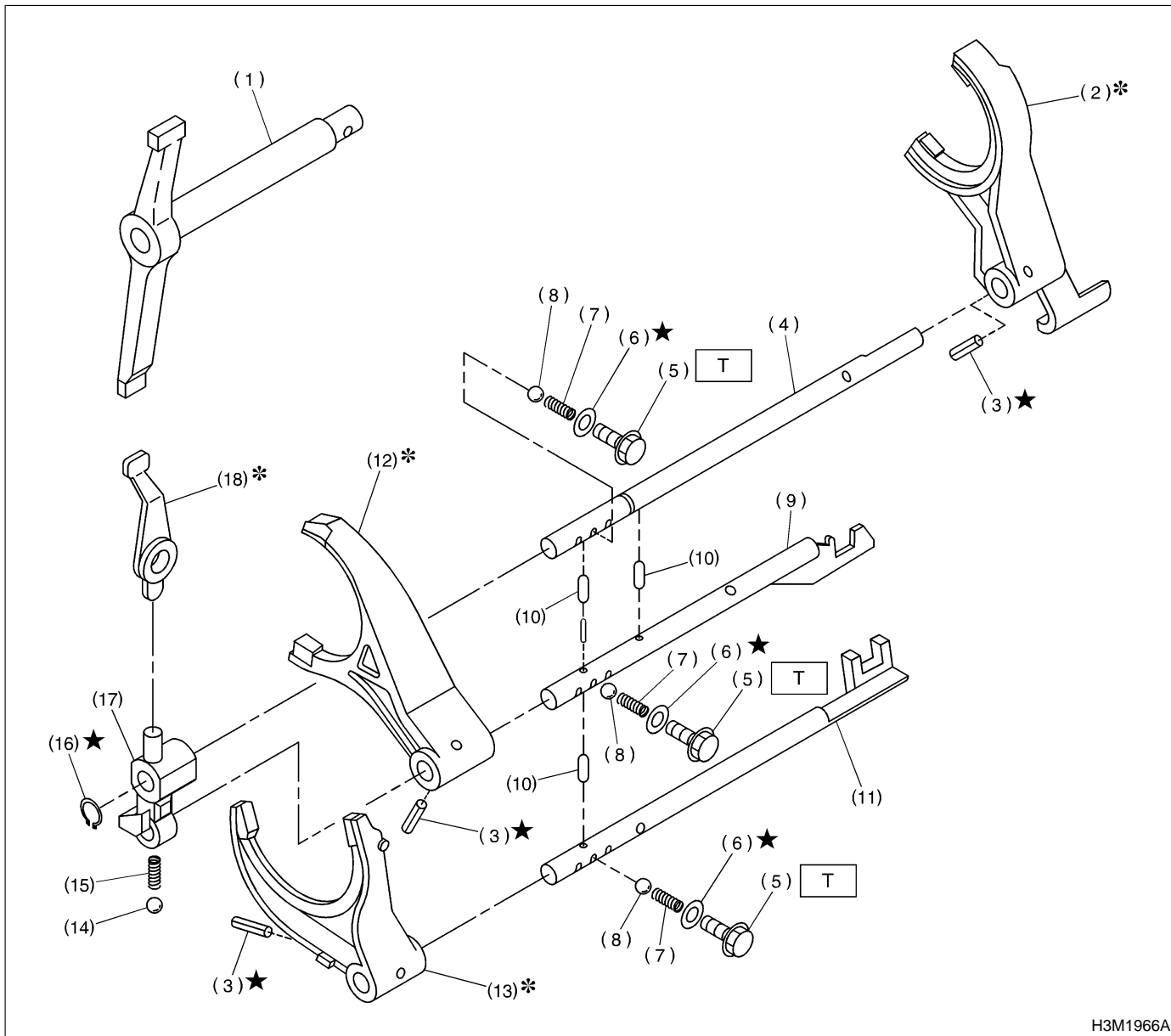


4. Shifter Fork and Shifter Rod



H3M1966A

- (1) Shifter arm
- (2) 5th shifter fork
- (3) Straight pin
- (4) Reverse fork rod
- (5) Checking ball plug
- (6) Gasket
- (7) Checking ball spring
- (8) Ball
- (9) 3rd-4th fork rod
- (10) Interlock plunger
- (11) 1st-2nd fork rod
- (12) 3rd-4th shifter fork
- (13) 1st-2nd shifter fork
- (14) Ball
- (15) Spring
- (16) Snap ring (Outer)

- (17) Reverse fork rod arm
- (18) Reverse shifter lever

**Tightening torque: N·m (kg·m, ft·lb)**  
**T: 19.6±1.5 (2.00±0.15, 14.5±1.1)**