

**BODY SECTION**

This service manual has been prepared to provide SUBARU service personnel with the necessary information and data for the correct maintenance and repair of SUBARU vehicles.

This manual includes the procedures for maintenance, disassembling, reassembling, inspection and adjustment of components and diagnostics for guidance of experienced mechanics.

Please peruse and utilize this manual fully to ensure complete repair work for satisfying our customers by keeping their vehicle in optimum condition. When replacement of parts during repair work is needed, be sure to use SUBARU genuine parts.

All information, illustration and specifications contained in this manual are based on the latest product information available at the time of publication approval.

FUJI HEAVY INDUSTRIES LTD.

**HVAC SYSTEM  
(HEATER, VENTILATOR AND A/C) AC**

**AIRBAG SYSTEM AB**

**SEAT BELT SYSTEM SB**

**LIGHTING SYSTEM LI**

**WIPER AND WASHER SYSTEMS WW**

**ENTERTAINMENT ET**

**COMMUNICATION SYSTEM COM**

**GLASS/WINDOWS/MIRRORS GW**

**BODY STRUCTURE BS**

**INSTRUMENTATION/DRIVER INFO IDI**

**SEATS SE**

**SECURITY AND LOCKS SL**

**SUNROOF/T-TOP/CONVERTIBLE TOP  
(SUNROOF) SR**

**EXTERIOR/INTERIOR TRIM EI**

**EXTERIOR BODY PANELS EB**

**CRUISE CONTROL SYSTEM CC**

# SEATS

# SE

---

	Page
1. General Description.....	2
2. Front Seat.....	5
3. Rear Seat .....	6



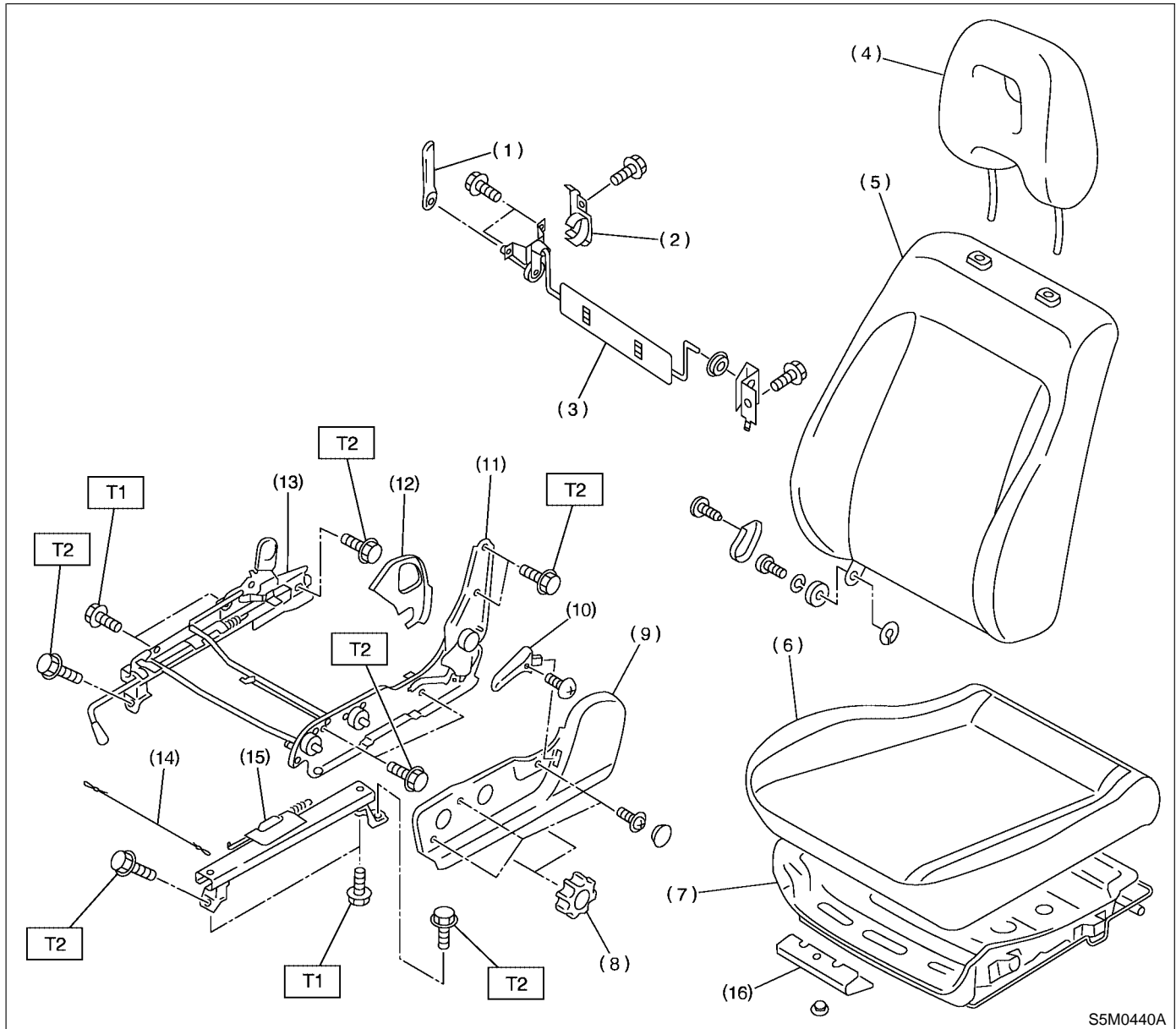
# GENERAL DESCRIPTION

Seats

## 1. General Description S908001

### A: COMPONENT S908001A05

#### 1. FRONT SEAT S908001A0501



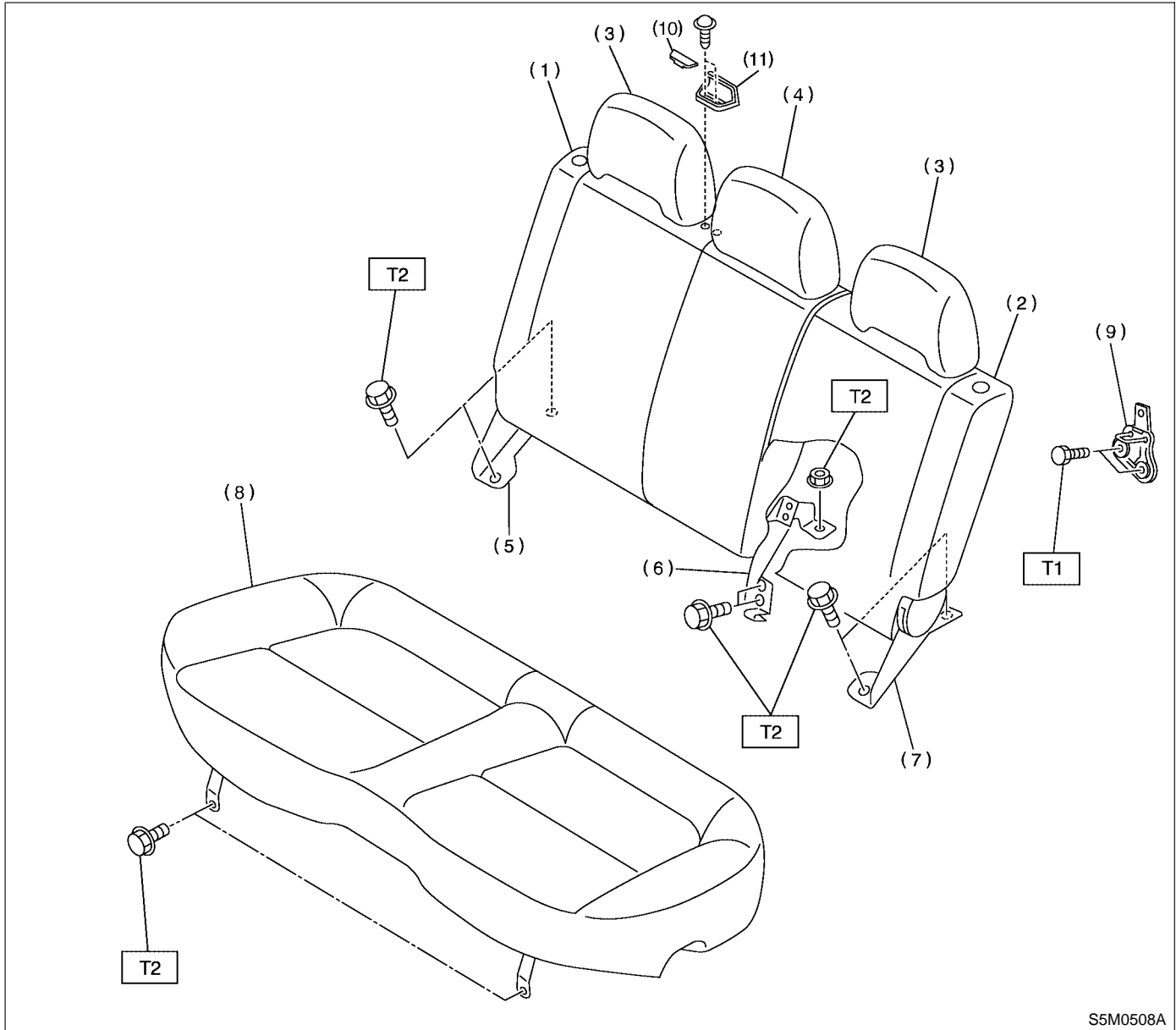
- |                   |                         |                          |
|-------------------|-------------------------|--------------------------|
| (1) Lumbar lever  | (8) Lifter dial         | (15) Slide rail ASSY OUT |
| (2) Lumbar cover  | (9) Hinge cover OUT     | (16) Bracket             |
| (3) Lumbar unit   | (10) Reclining lever    |                          |
| (4) Headrest      | (11) Hinge ASSY         |                          |
| (5) Backrest      | (12) Hinge spring cover |                          |
| (6) Cushion       | (13) Slide rail ASSY IN |                          |
| (7) Cushion frame | (14) Connecting wire    |                          |

**Tightening torque: N·m (kgf·m, ft·lb)**

**T1: 18 (1.8, 13)**

**T2: 52 (5.3, 38)**

## 2. REAR SEAT S908001A0505



S5M0508A

- |                      |                    |
|----------------------|--------------------|
| (1) Backrest RH      | (7) Hinge LH       |
| (2) Backrest LH      | (8) Cushion        |
| (3) Headrest OUTSIDE | (9) Striker        |
| (4) Headrest CENTER  | (10) Cap           |
| (5) Hinge RH         | (11) Webbing guide |
| (6) Hinge CENTER     |                    |

**Tightening torque: N·m (kgf·m, ft·lb)**

**T1: 10 (1.0, 7.2)**

**T2: 25 (2.5, 18.1)**

## GENERAL DESCRIPTION

Seats

---

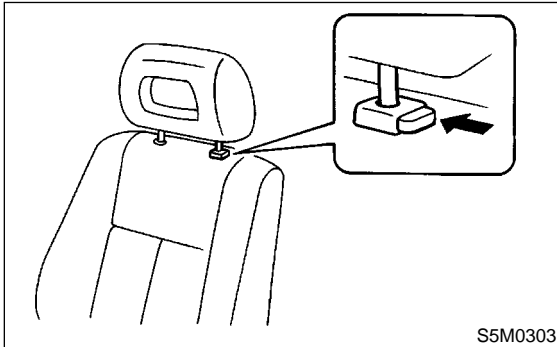
### **B: CAUTION** S908001A03

- Take care not to contaminate or damage seat surface.
- While loading to or unloading to vehicle, take care not to contact body.
- When removing front seat from a side airbag loaded vehicle, follow cautions given in the airbag section.

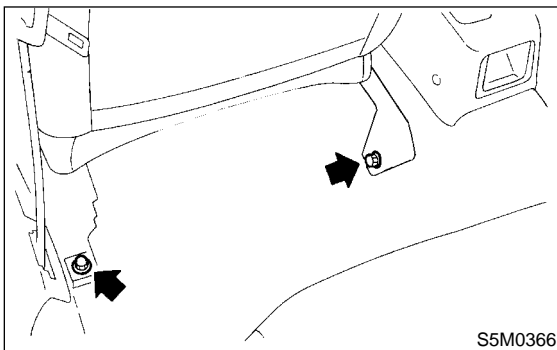
## 2. Front Seat S908343

### A: REMOVAL S908343A18

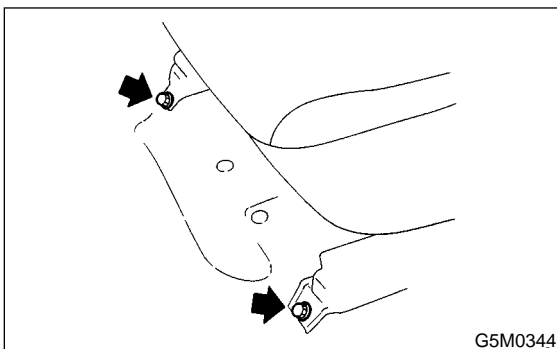
1) While operating button (located on top of backrest), lift headrest out with hand placed between backrest and headrest.



2) Pull reclining lever back to fold backrest all the way forward. While pulling slide adjuster lever, move seat all the way forward.  
3) Remove bolt cover at rear end of slide rail.  
4) Remove bolts securing seat rear.



5) While pulling slide adjuster lever, slide seat all the way back.  
6) Remove bolts securing front of seat.



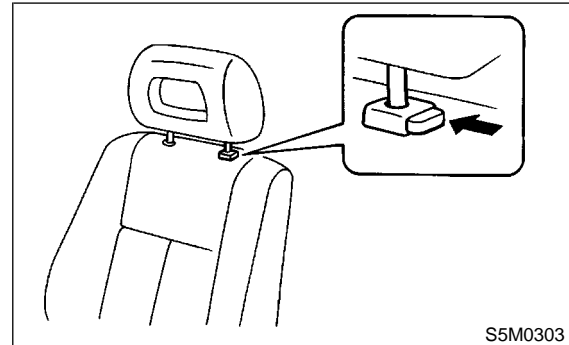
7) While disconnecting side airbag connector, detach front seat. (Side airbag equipped vehicle) and inner belt connector.

### CAUTION:

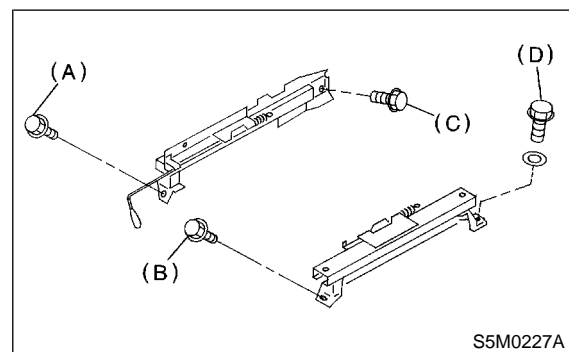
- When removing seat from vehicle, take care not to damage body, seat, or trim.
- After the front seat has been removed from side airbag equipped vehicle, store it as instructed in AIRBAG REPAIR SECTION. <Ref. to AB-15, CAUTION, Side Airbag Module.>

### B: INSTALLATION S908343A11

1) While operating button (located on top of backrest), lift headrest out by placing your hand between backrest and headrest.



2) Pull reclining lever back to fold backrest all the way forward. Pull slide adjuster lever and move lower slide rail all the way backward.  
3) Position seat in compartment and align the holes on the seat with the holes on the vehicle body side.  
4) Secure the front of seat using inward and outward bolts (A) and (B) in that order.  
5) While pulling slide adjuster lever, move seat all the way forward.  
6) Secure the rear of seat using inward and outward bolts (C) and (D).



7) Connect inner belt connector.  
8) Connect side airbag connector. (Side airbag equipped model)  
9) Install bolt cover on rear end of slide rail.  
10) Install headrest on backrest.

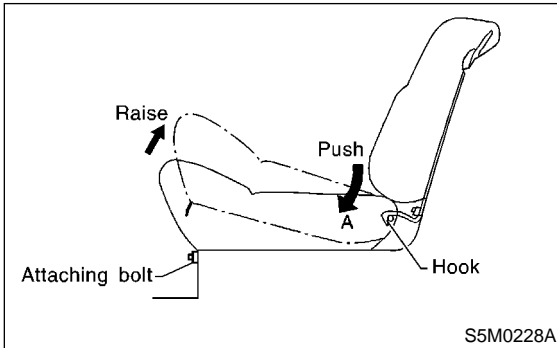
### CAUTION:

Confirm that seat can move smoothly and be locked securely at any position.

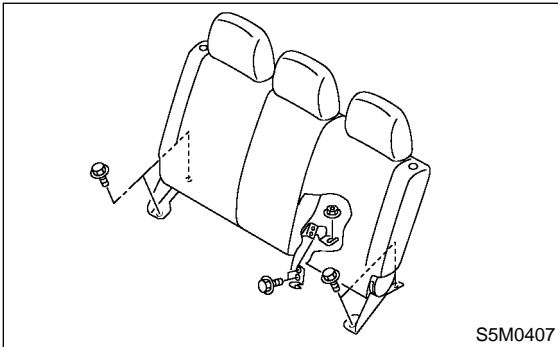
## 3. Rear Seat S908350

### A: REMOVAL S908350A18

- 1) Remove bolts securing hinges (located at front of cushion) to body.
- 2) Slightly raise front of cushion while pushing down on cushion in the direction of "A". With cushion held in that position, move it forward until it is unhooked.



- 3) Remove rear quarter lower trim. <Ref. to EI-39, REMOVAL, Rear Quarter Trim.>
- 4) Remove bolts and nuts.



- 5) Detach backrest.

### B: INSTALLATION S908350A11

Install in the reverse order of removal.