

BODY SECTION

This service manual has been prepared to provide SUBARU service personnel with the necessary information and data for the correct maintenance and repair of SUBARU vehicles.

This manual includes the procedures for maintenance, disassembling, reassembling, inspection and adjustment of components and diagnostics for guidance of experienced mechanics.

Please peruse and utilize this manual fully to ensure complete repair work for satisfying our customers by keeping their vehicle in optimum condition. When replacement of parts during repair work is needed, be sure to use SUBARU genuine parts.

All information, illustration and specifications contained in this manual are based on the latest product information available at the time of publication approval.

FUJI HEAVY INDUSTRIES LTD.

**HVAC SYSTEM
(HEATER, VENTILATOR AND A/C) AC**

AIRBAG SYSTEM AB

SEAT BELT SYSTEM SB

LIGHTING SYSTEM LI

WIPER AND WASHER SYSTEMS WW

ENTERTAINMENT ET

COMMUNICATION SYSTEM COM

GLASS/WINDOWS/MIRRORS GW

BODY STRUCTURE BS

INSTRUMENTATION/DRIVER INFO IDI

SEATS SE

SECURITY AND LOCKS SL

**SUNROOF/T-TOP/CONVERTIBLE TOP
(SUNROOF) SR**

EXTERIOR/INTERIOR TRIM EI

EXTERIOR BODY PANELS EB

CRUISE CONTROL SYSTEM CC

EXTERIOR BODY PANELS



	Page
1. General Description.....	2
2. Front Hood	9
3. Fender Panel.....	10
4. Front Door Panel	11
5. Front Sealing Cover	13
6. Rear Door Panel	14
7. Rear Sealing Cover.....	16
8. Rear Gate Panel	17

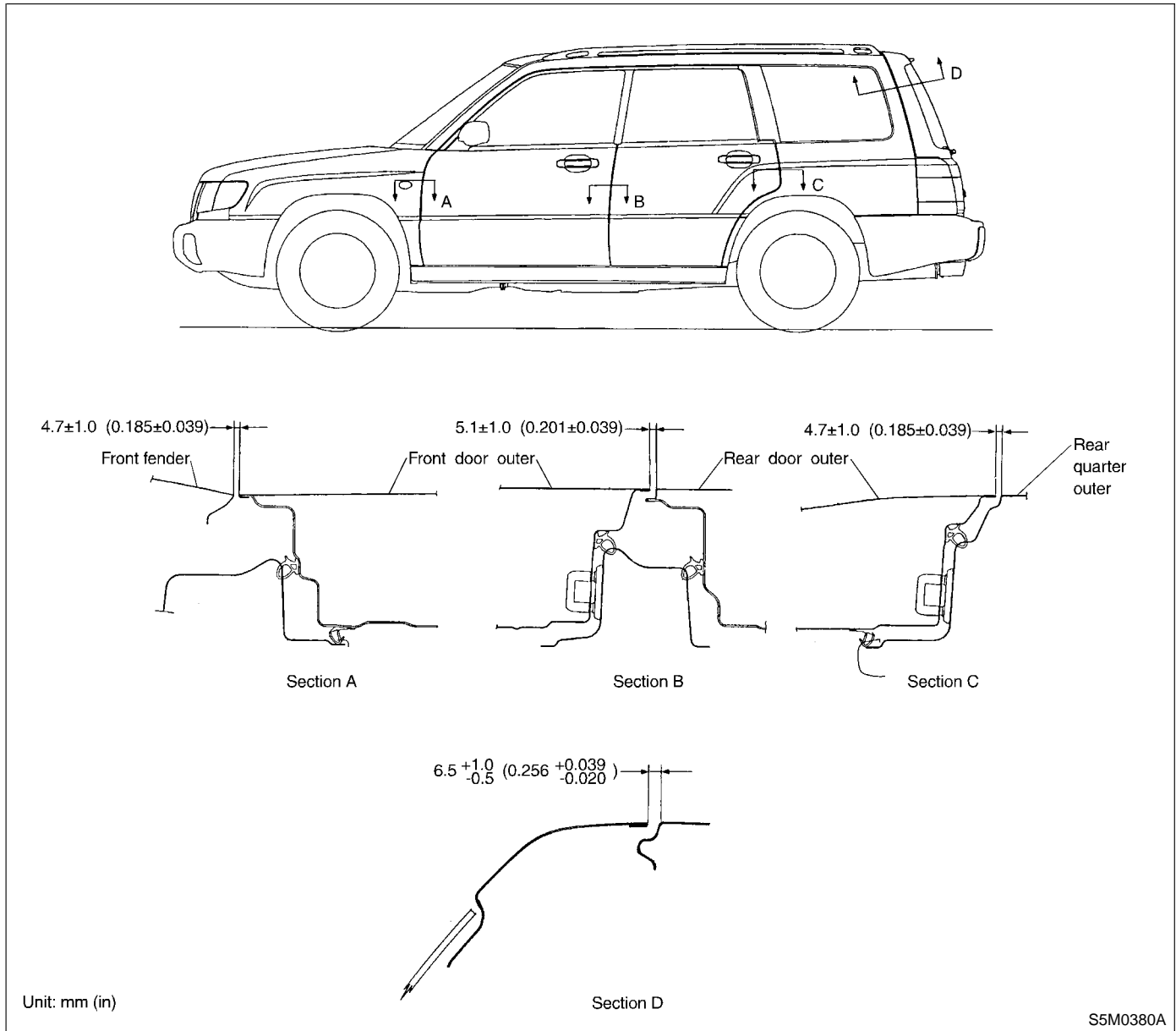


GENERAL DESCRIPTION

Exterior Body Panels

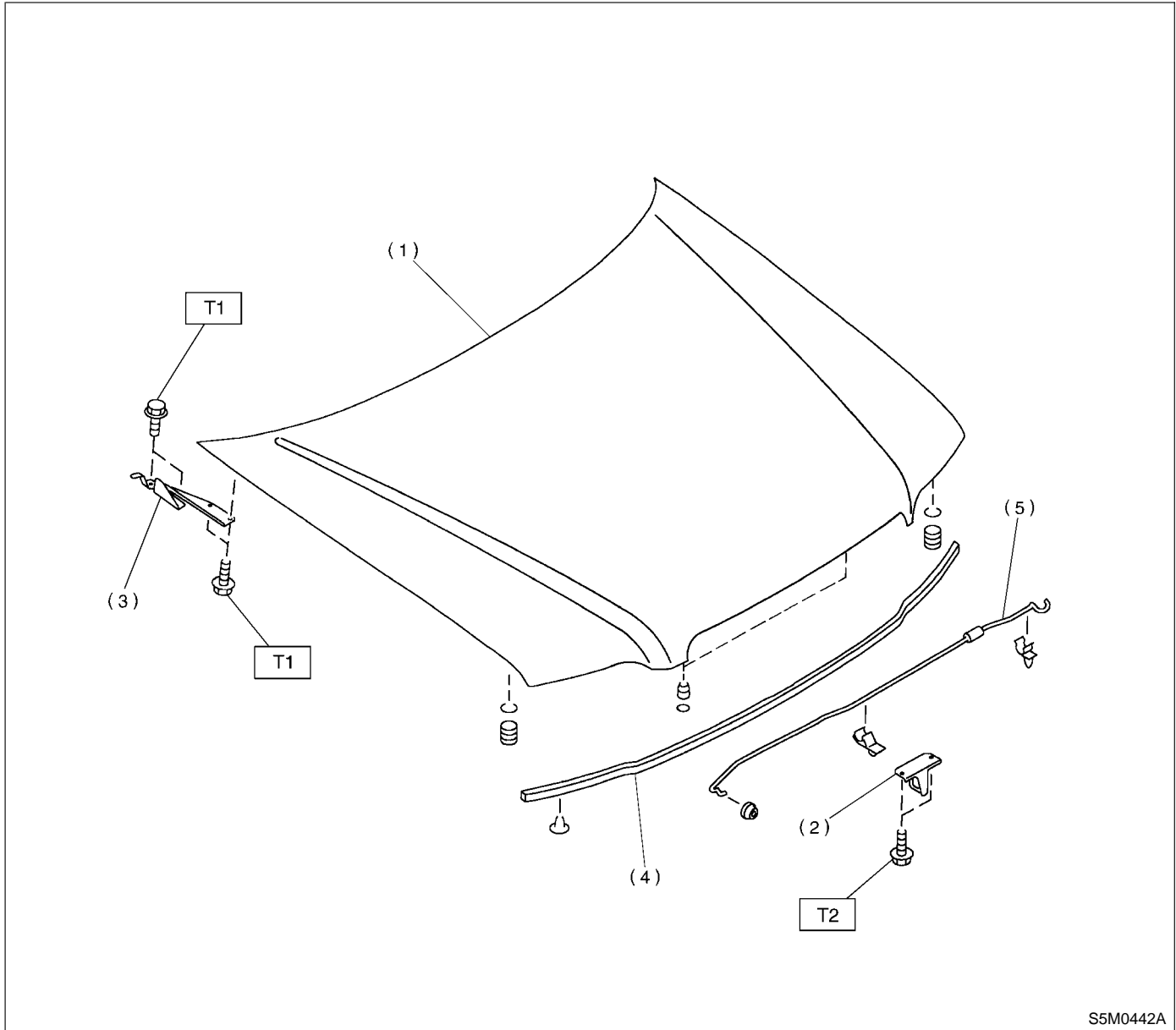
1. General Description S913001

A: SPECIFICATIONS S913001E49



B: COMPONENT S913001A05

1. FRONT HOOD S913001A0501



S5M0442A

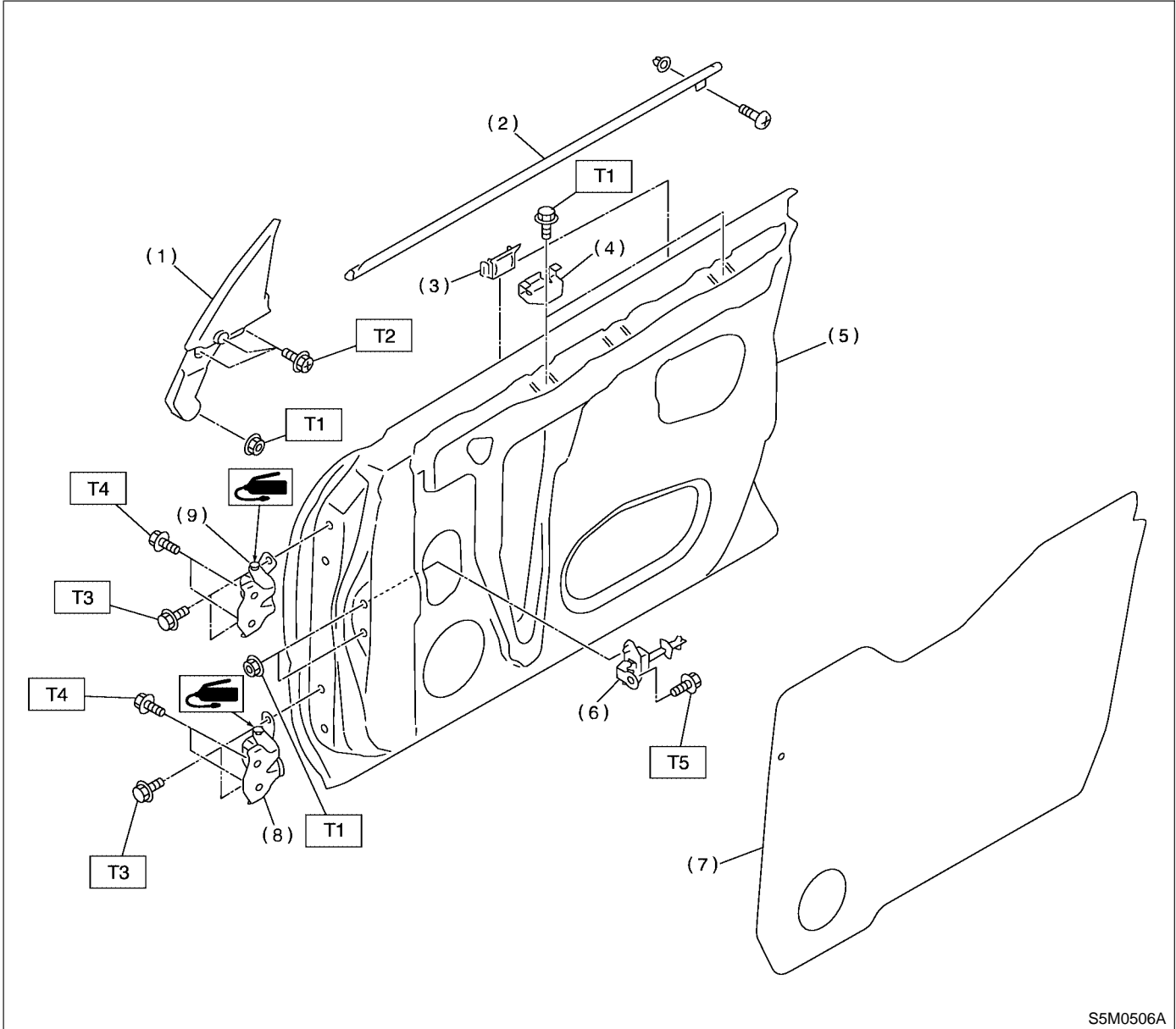
- (1) Front hood
- (2) Striker
- (3) Hinge
- (4) Seal
- (5) Front hood stay

Tightening torque: N·m (kg·m, ft·lb)
T1: 24.5 (2.5, 18.1)
T2: 33 (3.4, 25)

GENERAL DESCRIPTION

Exterior Body Panels

2. FRONT DOOR PANEL S913001A0502



- (1) Gusset
- (2) Weatherstrip
- (3) Stabilizer (Outer)
- (4) Stabilizer (Inner)
- (5) Door panel
- (6) Checker
- (7) Sealing cover
- (8) Lower hinge
- (9) Upper hinge

Tightening torque: N·m (kgf·m, ft·lb)

T1: 7.35 (0.75, 5.4)

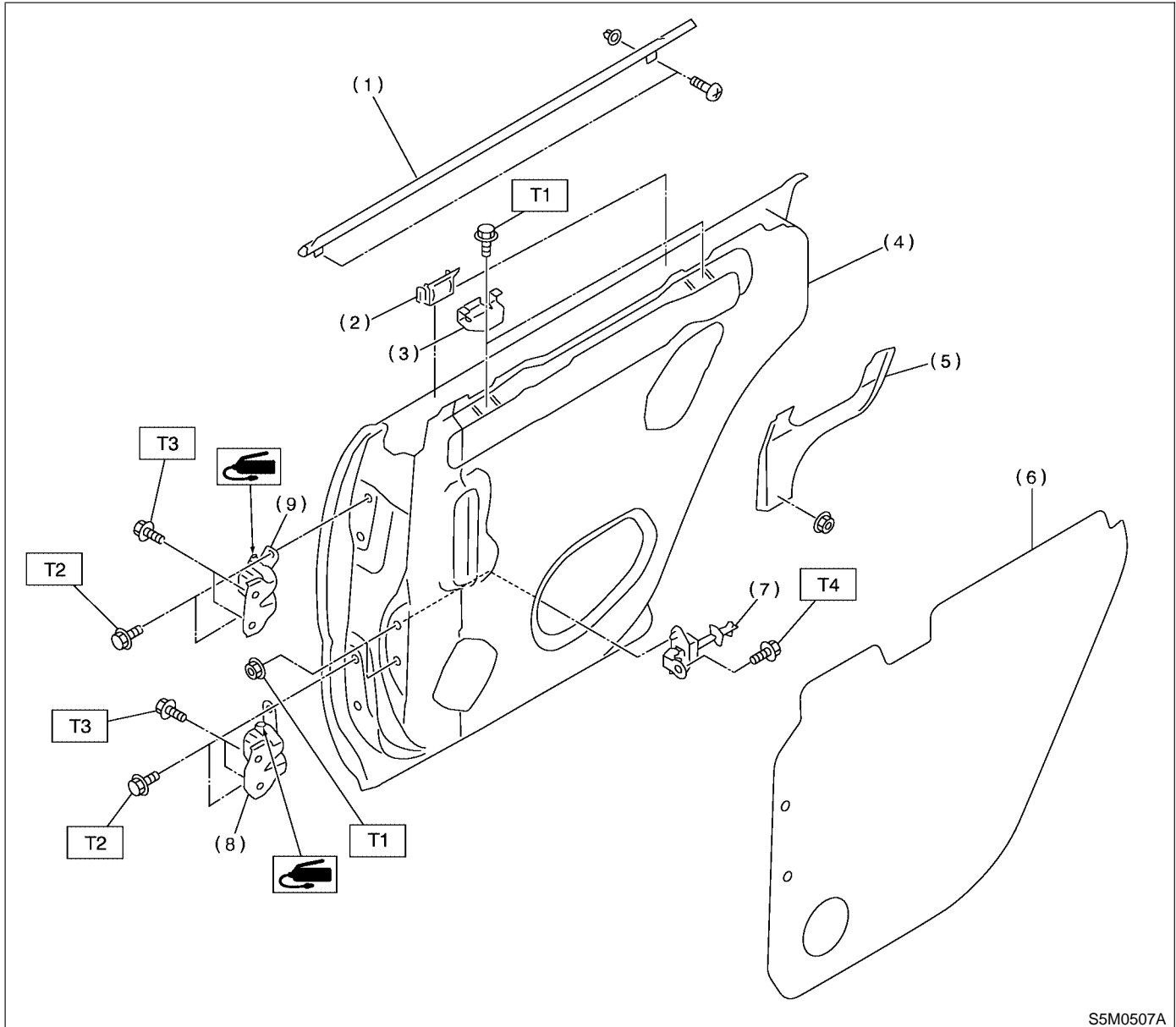
T2: 13 (1.3, 9.4)

T3: 25 (2.5, 18)

T4: 30 (3.1, 22)

T5: 32 (3.3, 24)

3. REAR DOOR PANEL S913001A0503



- | | |
|------------------------|-----------------|
| (1) Weatherstrip | (7) Checker |
| (2) Stabilizer (Outer) | (8) Lower hinge |
| (3) Stabilizer (Inner) | (9) Upper hinge |
| (4) Door panel | |
| (5) Plate | |
| (6) Sealing cover | |

Tightening torque: N·m (kgf·m, ft·lb)

T1: 7.35 (0.75, 5.4)

T2: 25 (2.5, 18)

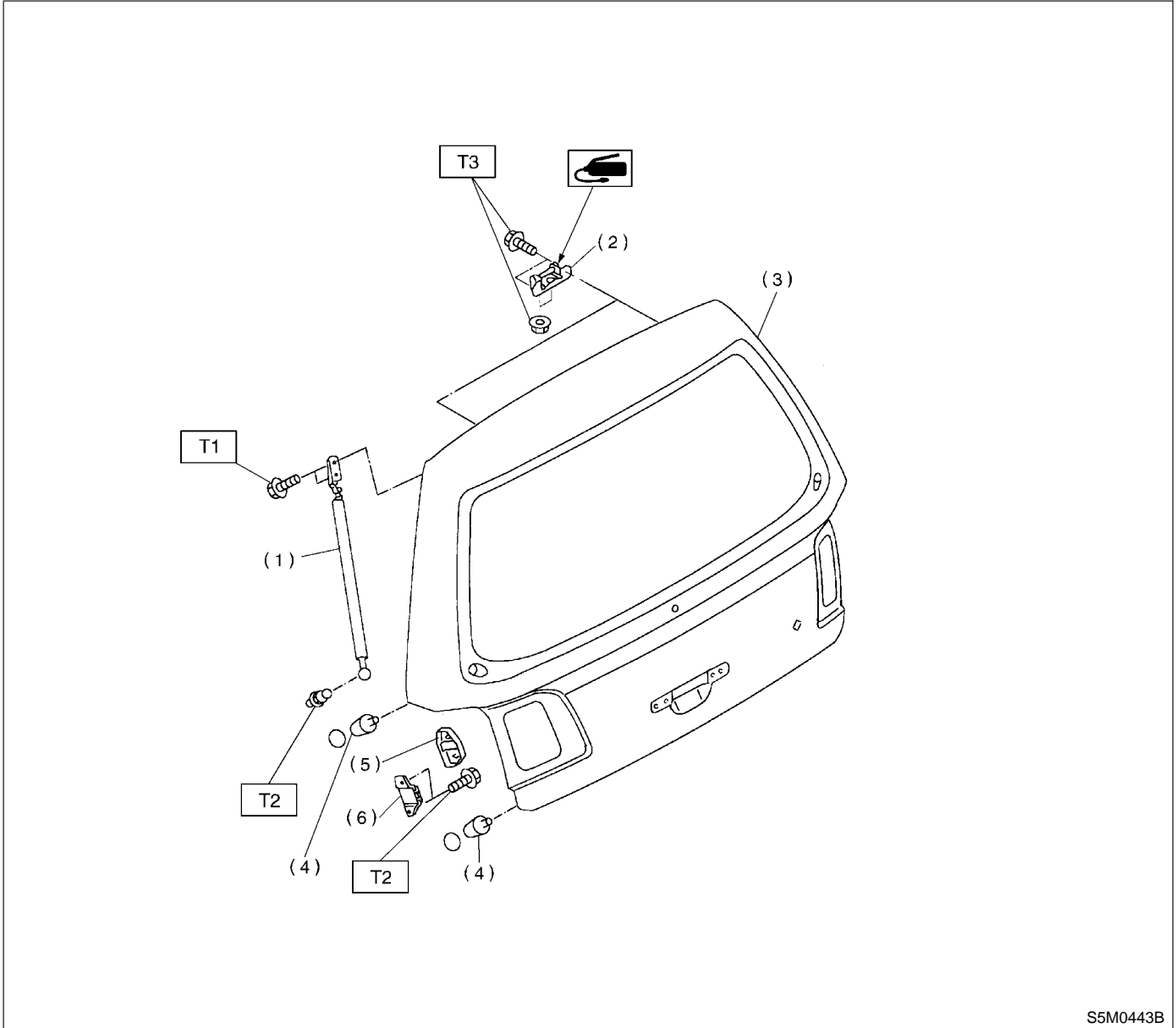
T3: 30 (3.1, 18)

T4: 32 (3.3, 24)

GENERAL DESCRIPTION

Exterior Body Panels

4. REAR GATE PANEL S913001A0505



- (1) Gas stay
- (2) Hinge
- (3) Rear gate
- (4) Stopper

- (5) Buffer cover
- (6) Buffer (Back door)

Tightening torque: N·m (kg·m, ft·lb)

T1: 7.5 (0.76, 5.5)

T2: 14 (1.4, 10.1)

T3: 25 (2.5, 18.1)

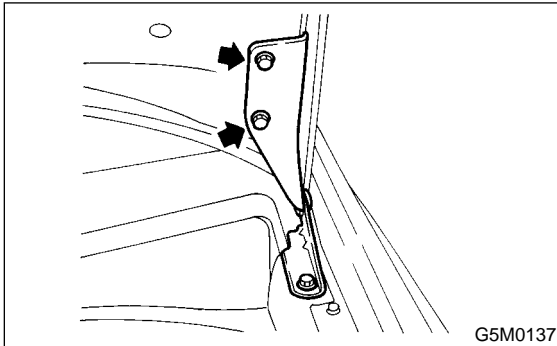
C: CAUTION S913001A03

- Exterior body panels are heavy. Do not drop and damage the panels. During removal and installation, do not damage the panel painting surface.
- While removing mounting bolts, using assistance devices such as a support jack will help support the panel.
- Be careful not to lose small parts.

2. Front Hood S913367

A: REMOVAL S913367A18

- 1) Open front hood to remove washer nozzles.
- 2) Remove bolts to detach hood from hinges.

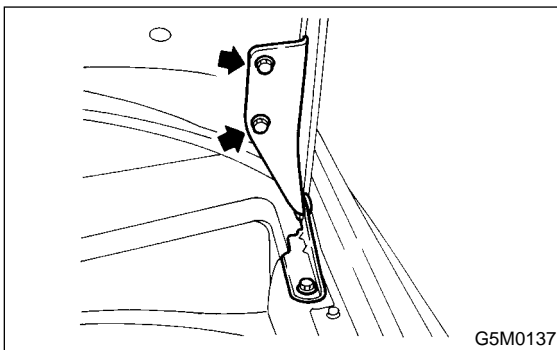


B: INSTALLATION S913367A11

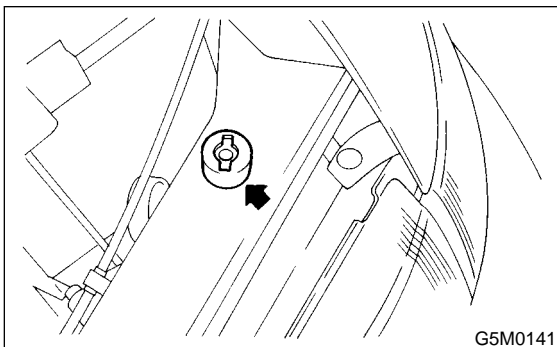
- 1) Install in the reverse order of removal.
- 2) Adjust clearance between hood and fender. Clearance must be equal at both sides.

C: ADJUSTMENT S913367A01

- 1) Use hinge mounting holes to align front hood longitudinally and laterally.



- 2) Adjust height at front end of hood. <Ref. to SL-38 ADJUSTMENT, Front Hood Lock Assembly.>
- 3) Rotate hood buffer to adjust lateral height.



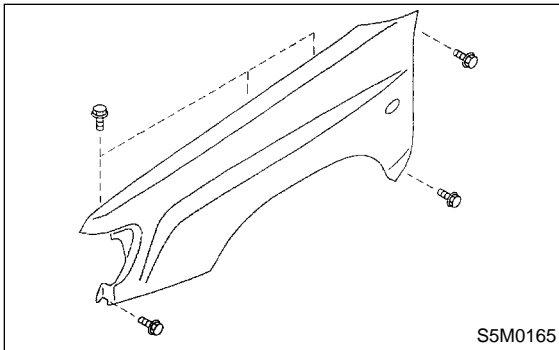
FENDER PANEL

Exterior Body Panels

3. Fender Panel S913368

A: REMOVAL S913368A18

- 1) Disconnect ground (-) cable from battery.
- 2) Remove side protectors and fender protectors.
<Ref. to EI-22, REMOVAL, Protector.>
- 3) Remove mud guard. <Ref. to EI-21 REMOVAL, Mud Guard.>
- 4) Remove front bumper face. <Ref. to EI-12 REMOVAL, Front Bumper.>
- 5) Remove headlights. <Ref. to LI-42 REMOVAL, Headlight Assembly.>
- 6) Remove bolts to remove front fender.



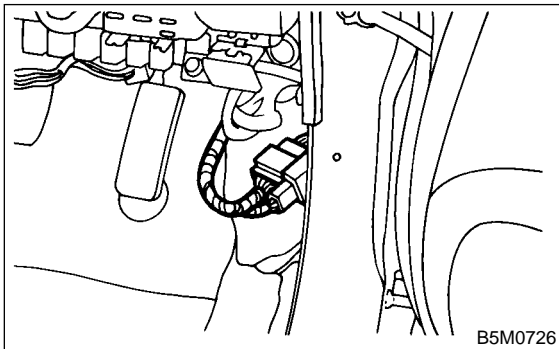
B: INSTALLATION S913368A11

- 1) Install in the reverse order of removal.
- 2) When fender panel is installed, clearance between fender panel and hood or front fender must be equal.

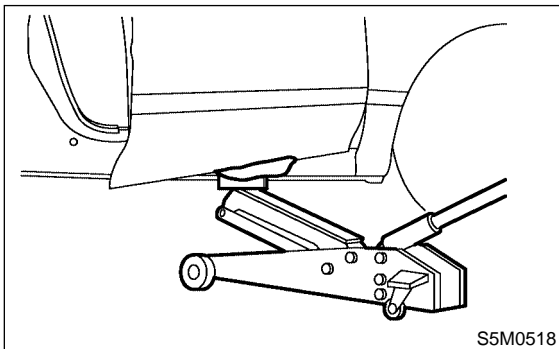
4. Front Door Panel S913366

A: REMOVAL S913366A18

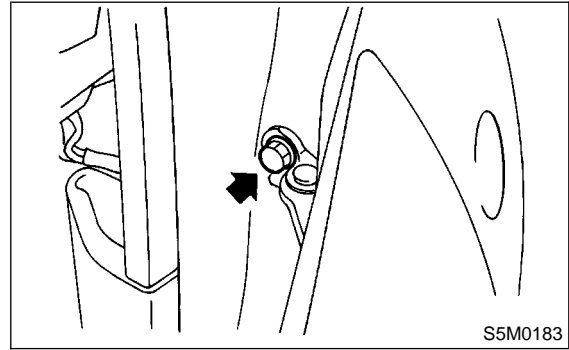
- 1) Disconnect (-) cable from battery.
- 2) Remove front door trim. <Ref. to EI-26 REMOVAL, Front Door Trim.>
- 3) Remove outer mirror assembly. <Ref. to GW-49 REMOVAL, Outer Mirror Assembly.>
- 4) Remove front door glass. <Ref. to GW-28, REMOVAL, Front Door Glass.>
- 5) Remove front door regulator and motor. <Ref. to GW-31 REMOVAL, Front Regulator and Motor.>
- 6) Remove front door latch assembly. <Ref. to SL-29 REMOVAL, Front Door Latch Assembly.>
- 7) Remove front outer handle. <Ref. to SL-28 REMOVAL, Front Outer Handle.>
- 8) Remove front pillar lower trim to disconnect connector from body harness.



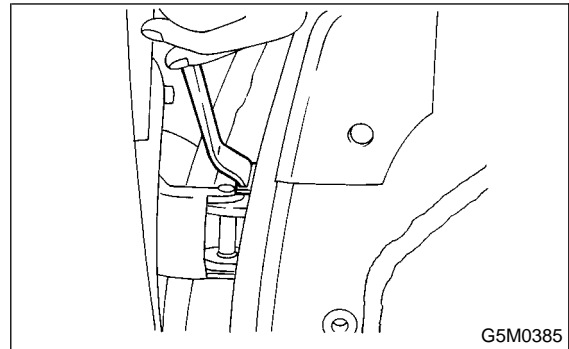
- 9) Put wooden block on jack and place jack under door. Support door with a jack to protect it from damage.



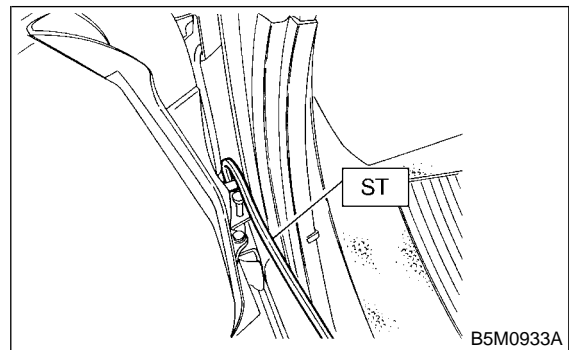
- 10) Remove checker bolts.



- 11) Remove door-side bolts for upper and lower hinges to remove door.



- 12) Using special tool, remove body-side bolts for upper and lower hinges, and remove door hinges. ST 925610000 DOOR HINGE WRENCH



CAUTION:

- During removal and installation of doors, do not damage body.
- Doors are heavy. Be careful not to drop and damage them.

B: INSTALLATION S913366A11

- 1) Install in the reverse order of removal.
- 2) Apply grease to sliding area of door hinges.

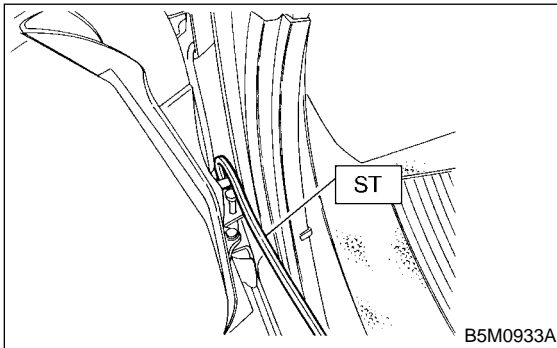
FRONT DOOR PANEL

Exterior Body Panels

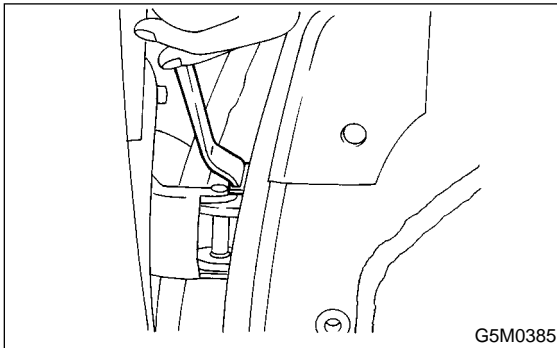
C: ADJUSTMENT S913366A01

1) Using special tool, loosen body-side bolts of upper and lower hinges to align the position of front door panel longitudinally and vertically.

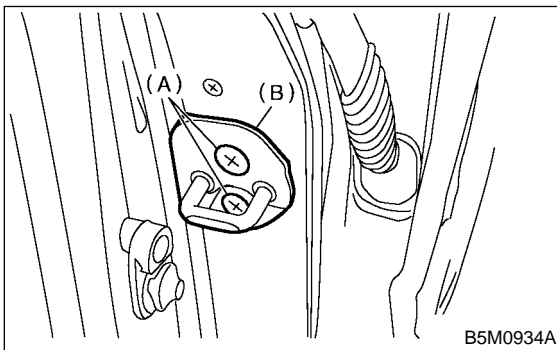
ST 925610000 DOOR HINGE WRENCH



2) Loosen door-side bolts of upper and lower hinges to align the position of front door panel vertically and laterally at the front end.



3) Loosen screw (A) and lightly tap striker (B) using plastic hammer to adjust striker to align the position of front door panel vertically and laterally at the rear end.



CAUTION:

Do not use impact wrench. Welding area on striker nut plate is easily broken.

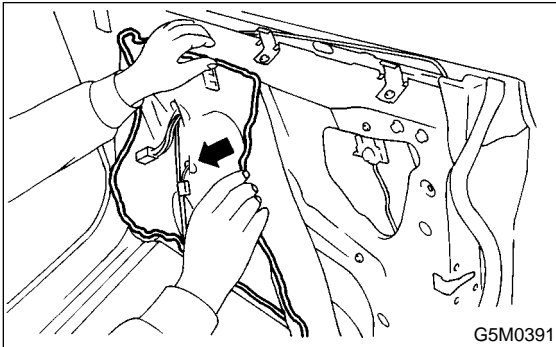
5. Front Sealing Cover S913564

A: REMOVAL S913564A18

- 1) Remove front door trim. <Ref. to EI-26 REMOVAL, Front Door Trim.>
- 2) Remove front speaker. <Ref. to EI-12 REMOVAL, Front Speaker.>
- 3) Using a spatula, remove sealer.

CAUTION:

- Carefully remove sealer. Excessive force will easily break the cover.
- If cover gets broken, replace it with a new one.



B: INSTALLATION S913564A11

- 1) Install in the reverse order of removal.
- 2) When replacing sealing cover, use CEMEDINE 5430L sealer.
- 3) Press sealer-applied area firmly to prevent any floating on surface.

Sealer:

CEMEDINE 5430L or equivalent

CAUTION:

- Apply a uniform bead of sealer.
- Attach sealing cover, keeping it from becoming wrinkled.
- Breaks in the bead will allow water leakage and contamination.

C: INSPECTION S913564A10

If sealing cover is damaged, replace it with a new one.

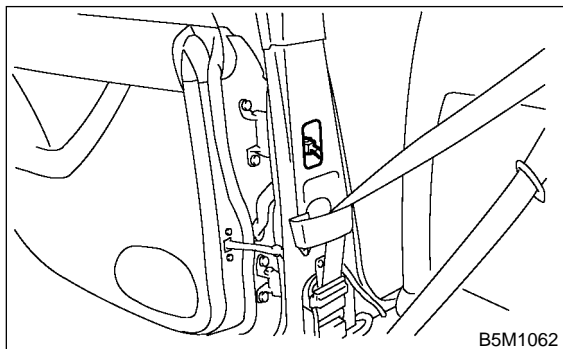
REAR DOOR PANEL

Exterior Body Panels

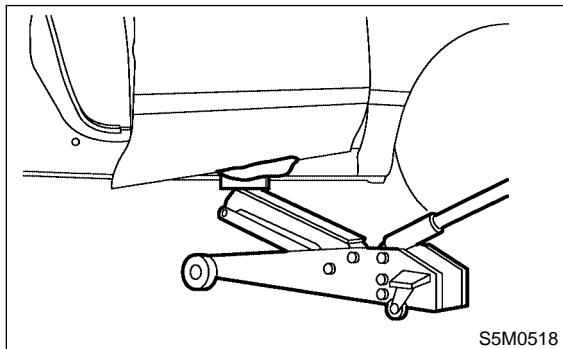
6. Rear Door Panel S913364

A: REMOVAL S913364A18

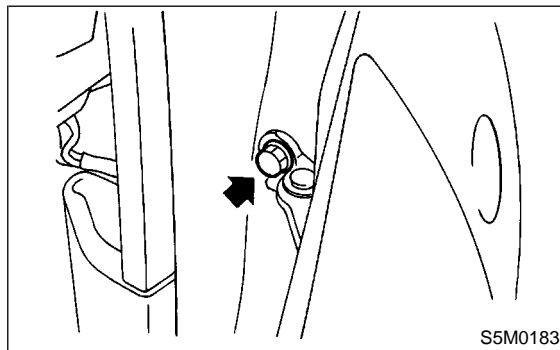
- 1) Disconnect (-) cable from battery.
- 2) Remove rear door trim. <Ref. to EI-27 REMOVAL, Rear Door Trim.>
- 3) Remove rear door glass. <Ref. to GW-32, REMOVAL, Rear Door Glass.>
- 4) Remove rear door regulator and motor assembly. <Ref. to GW-34 REMOVAL, Rear Regulator and Motor Assembly.>
- 5) Remove rear outer handle. <Ref. to SL-32 REMOVAL, Rear Outer Handle.>
- 6) Remove center pillar lower trim. <Ref. to EI-38 REMOVAL, Lower Inner Trim.>
- 7) Remove seatbelt bracket and blind plug. Disconnect connector of door harness and remove door hinge nut.



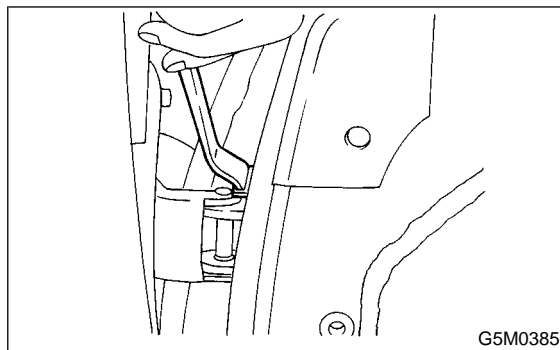
- 8) Put a wooden block on the jack and place the jack under the door. Support the door with the jack to protect it.



- 9) Remove checker bolts.



- 10) Remove door-side bolts for upper and lower hinges to remove door.



- 11) Using special tool, remove body-side bolts for upper and lower hinges, and remove door hinges.

CAUTION:

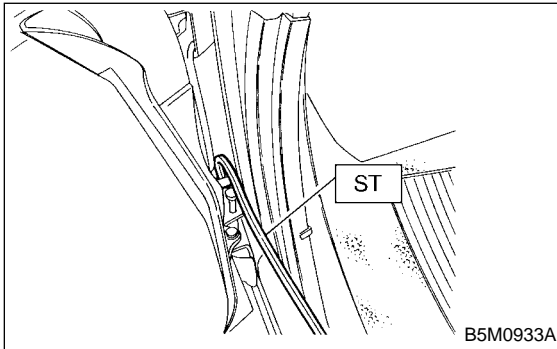
- During removal and installation of doors, do not damage body.
- Doors are heavy. Be careful not to drop and damage them.

B: INSTALLATION S913364A11

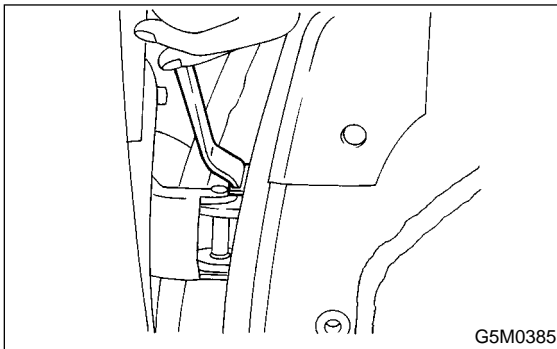
- 1) Install in the reverse order of removal.
- 2) Apply grease to sliding area of door hinges.

C: ADJUSTMENT S913364A01

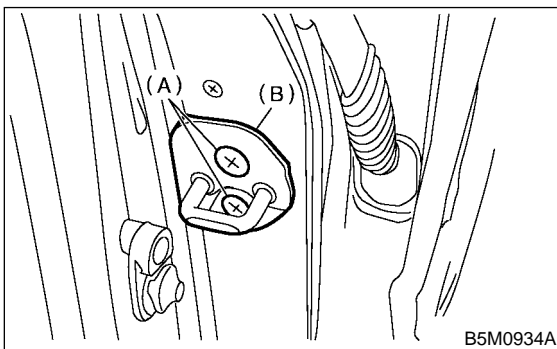
1) Using special tool, loosen body-side bolts of upper and lower hinges to align the position of rear door panel longitudinally and vertically.



2) Loosen door-side bolts of upper and lower hinges to align the position of rear door panel vertically and laterally at front-end.



3) Loosen screw (A) and lightly tap striker (B) using plastic hammer to adjust striker to align the position of front door panel vertically and laterally at the rear end.



CAUTION:
Do not use an impact wrench. The welding area on the striker nut plate is easily broken.

REAR SEALING COVER

Exterior Body Panels

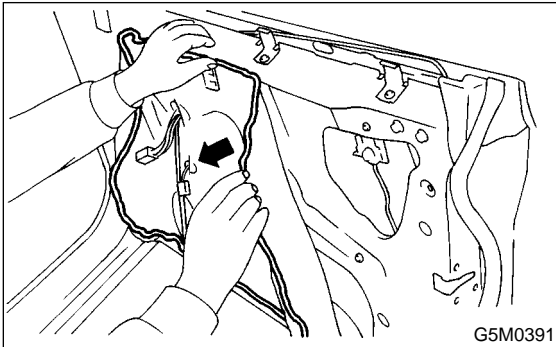
7. Rear Sealing Cover S913565

A: REMOVAL S913565A18

- 1) Remove rear door trim. <Ref. to EI-27 REMOVAL, Rear Door Trim.>
- 2) Remove rear speaker. <Ref. to ET-13 REMOVAL, Rear Speaker.>
- 3) Using a spatula, remove sealer.

CAUTION:

- Carefully remove sealer. Excessive force will easily break the cover.
- If cover gets broken, replace it with a new one.



B: INSTALLATION S913565A11

- 1) Install in the reverse order of removal.
- 2) When replacing sealing cover, use CEMEDINE 5430L sealer.
- 3) Press sealer-applied area firmly to prevent any floating on surface.

Sealer:

CEMEDINE 5430L or equivalent

CAUTION:

- Apply an uniform bead of sealer.
- Attach sealing cover, keeping it from becoming wrinkled.
- Breaks in the bead will allow water leakage and contamination.

C: INSPECTION S913565A10

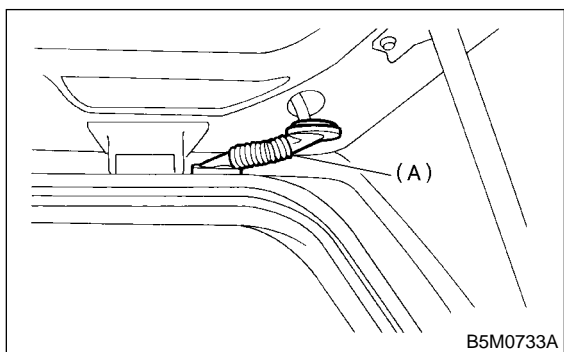
If sealing cover gets damaged, replace it with a new one.

8. Rear Gate Panel S913363

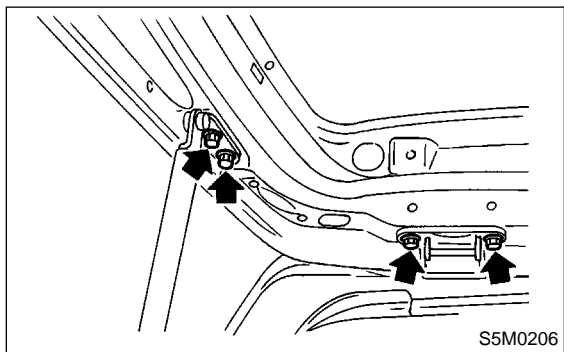
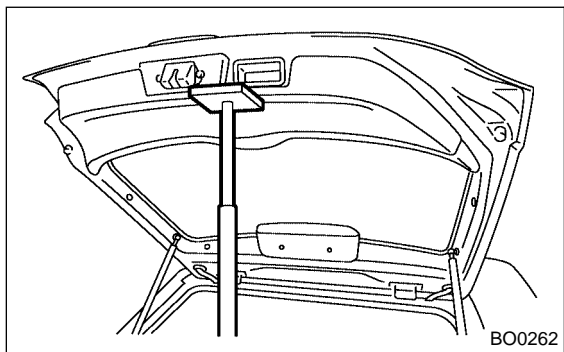
A: REMOVAL S913363A18

1. REAR GATE PANEL S913363A1801

- 1) Open rear gate.
- 2) Remove rear gate outer handle. <Ref. to SL-35 REMOVAL, Rear Gate Outer Handle.>
- 3) Remove rear gate latch assembly. <Ref. to SL-36 REMOVAL, Rear Gate Latch Assembly.>
- 4) Remove rear gate key lock cylinders. <Ref. to SL-41 REMOVAL, Key Lock Cylinders.>
- 5) Remove rear wiper. <Ref. to WW-20 REMOVAL, Rear Wiper Motor.>
- 6) Disconnect connectors of rear wiper, rear defogger, and other lighting devices.
- 7) Disconnect washer hose.
- 8) Remove rubber duct (A) connection, and pull out harness and washer hose from rear gate.



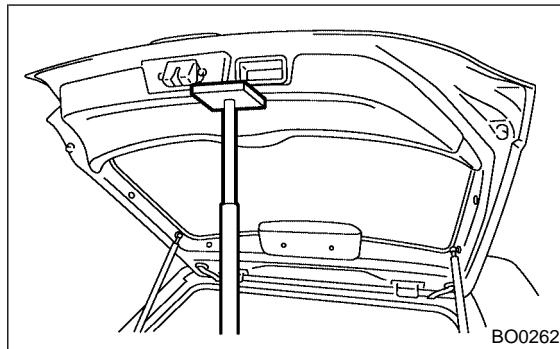
- 9) Using a support, support the rear gate while removing gas stay mounting bolts.
- 10) Loosen rear gate bolts to remove rear gate.



CAUTION:
When the rear gate is released, it may hit and damage the body. To prevent this, place a shop cloth between body and gate.

2. GAS STAY S913363A1802

- 1) Open rear gate. Using a jack to support the rear gate.



CAUTION:

- After gas stay is removed, rear gate cannot stay open. Supporting the rear gate with a jack, remove the bolts.
- Do not damage piston rods and oil seals.
- Never disassemble cylinders: They contain gas.

- 2) Loosen bolts to remove gas stay from rear gate.

B: INSTALLATION S913363A11

1. REAR GATE PANEL S913363A1101

- 1) Install in the reverse order of removal.
- 2) Install rear gate panel with uniform clearance to body.

CAUTION:
Do not damage painted surfaces of body and rear gate.

2. GAS STAY S913363A1102

Install in the reverse order of removal.

CAUTION:

- Do not confuse right and left sides of gas stay.
- After supporting rear gate with a jack, start operation.

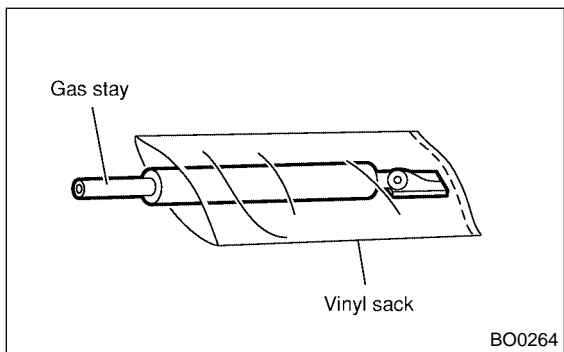
C: DISPOSAL S913363A07

1. GAS STAY S913363A0701

CAUTION:

Gas is colorless, odorless, and harmless. However, gas pressure may spray cutting powder or oil. Be sure to wear dust-resistant goggles.

- 1) Cover with a vinyl case as shown in the figure.



CAUTION:

Prevent the vinyl case from being caught by drill cutting edge

- 2) Lift body side slightly with piston rods fully extended, and secure body side on vise stand. Drill a hole in 2 to 3 mm (0.08 to 0.12 in) diameter at a point 10 to 200 mm (0.39 to 7.87 in) from door side, and bleed gas stay completely.

