

**WIRING SYSTEM SECTION****WIRING SYSTEM****WI**

This service manual has been prepared to provide SUBARU service personnel with the necessary information and data for the correct maintenance and repair of SUBARU vehicles.

This manual includes the procedures for maintenance, disassembling, reassembling, inspection and adjustment of components and diagnostics for guidance of experienced mechanics.

Please peruse and utilize this manual fully to ensure complete repair work for satisfying our customers by keeping their vehicle in optimum condition. When replacement of parts during repair work is needed, be sure to use SUBARU genuine parts.

All information, illustration and specifications contained in this manual are based on the latest product information available at the time of publication approval.

# WIRING SYSTEM



---

	<b>Page</b>
1. Basic Diagnostics Procedure .....	3
2. Working Precautions .....	13
3. Power Supply Routing.....	14
4. Ground Distribution .....	28
5. Airbag System.....	40
6. Air Conditioning System.....	46
7. Anti-lock Brake System.....	50
8. A/T Control System.....	58
9. Audio System .....	84
10. Back-up Light System .....	88
11. Charging System.....	89
12. Clearance Light and Illumination Light System .....	90
13. Combination Meter.....	96
14. Cruise Control System .....	98
15. Door Lock System.....	104
16. Engine Electrical System .....	106
17. Front Accessory Power Supply System.....	164
18. Front Fog Light System.....	166
19. Fuel Gauge System .....	168
20. Full-Time Dual-Range System .....	170
21. Headlight Beam Leveler System.....	172
22. Headlight System .....	174
23. Headlight Washer System.....	176
24. Horn System.....	177
25. Immobilizer System .....	178
26. In Compartment Light System .....	186
27. Keyless Entry System .....	190
28. Oil Pressure and Temperature Gauge System.....	196
29. Outside Temperature Display System.....	198
30. Parking Brake and Brake Fluid Level Warning System.....	200
31. Power Window System .....	202
32. Radiator Fan System .....	210
33. Rear Accessory Power Supply System.....	211
34. Rear Differential Oil Temperature Warning System.....	212
35. Rear Fog Light System .....	214
36. Rear Window Defogger System.....	216
37. Remote Controlled Rearview Mirror System .....	218
38. Seat Belt Warning System .....	222
39. Seat Heater System.....	224
40. Starter System.....	225
41. Stop Light System.....	226
42. Sunroof System.....	227
43. Turn Signal Light and Hazard Light System.....	228
44. Wiper and Washer System (Front) .....	232

## DIAGNOSTICS CHART WITH TROUBLE CODE

Wiring System

---

45.	Wiper and Washer System (Rear) .....	233
46.	Wiper Deicer System .....	234
47.	Overall Systems .....	236
48.	Front Wiring Harness .....	238
49.	Bulkhead Wiring Harness (In Engine Room).....	242
50.	Bulkhead Wiring Harness (In Compartment).....	254
51.	Engine Wiring Harness and Transmission Cord.....	260
52.	Instrument Panel Wiring Harness .....	266
53.	Rear Wiring Harness.....	270
54.	Door Cord.....	274
55.	Rear Gate Cord.....	278

# A/T CONTROL SYSTEM

Wiring System

## 8. A/T Control System

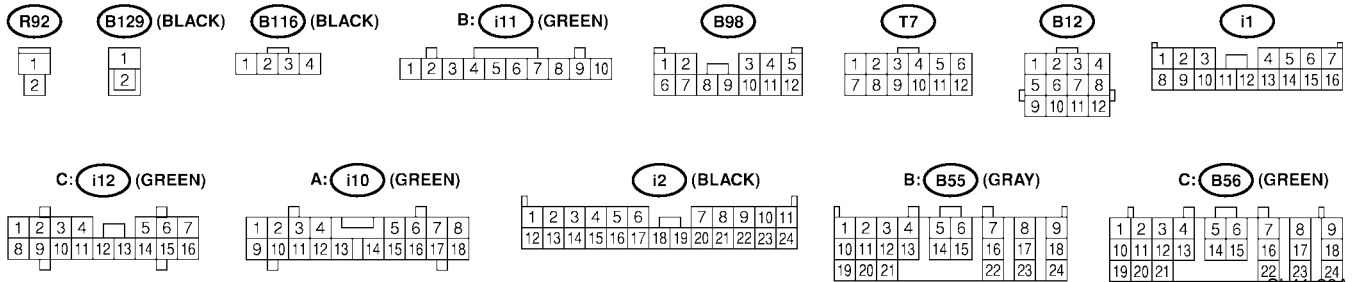
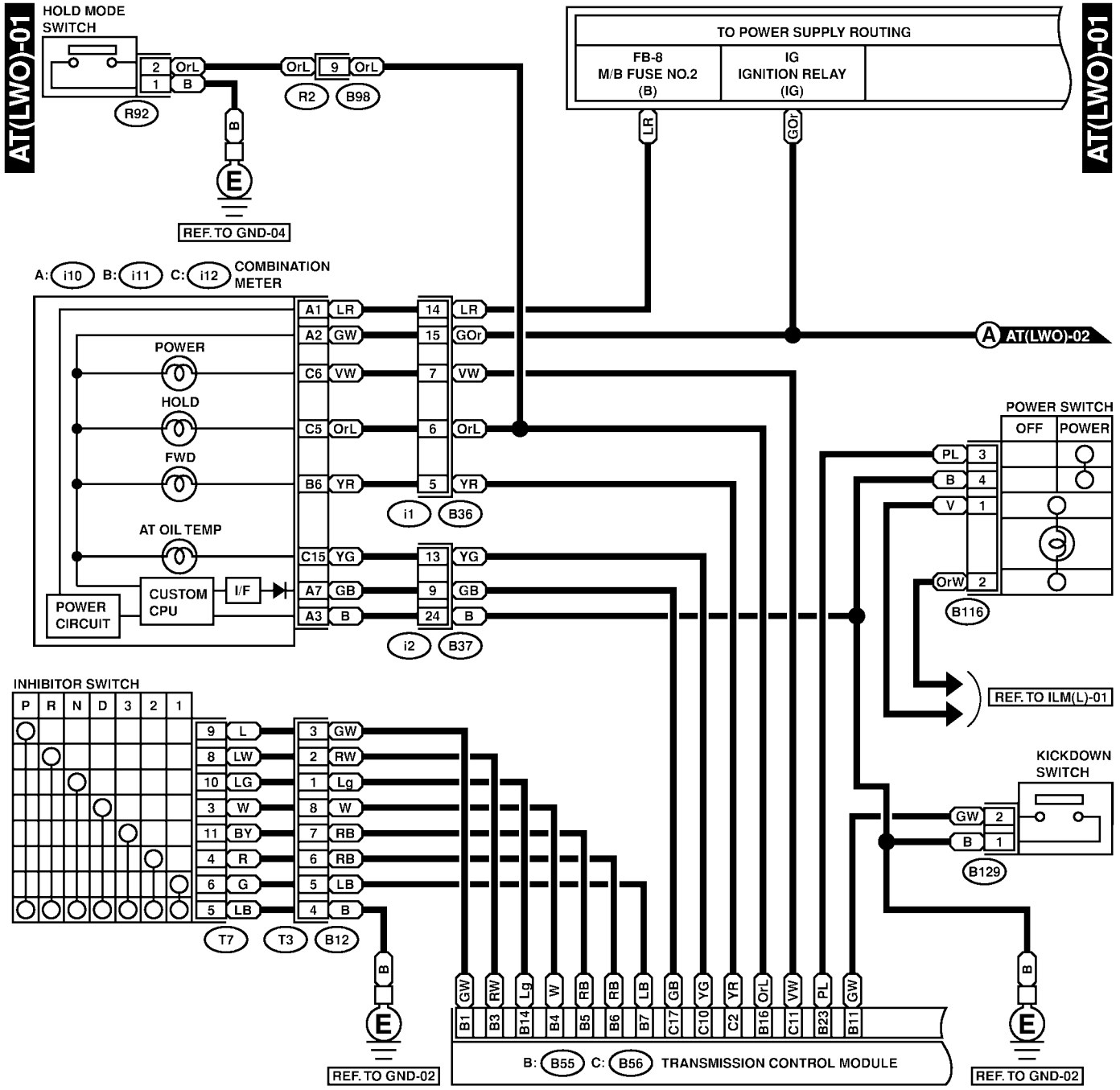
S903485

### A: SCHEMATIC

S903485A21

#### 1. LHD NON-TURBO MODEL WITH OBD

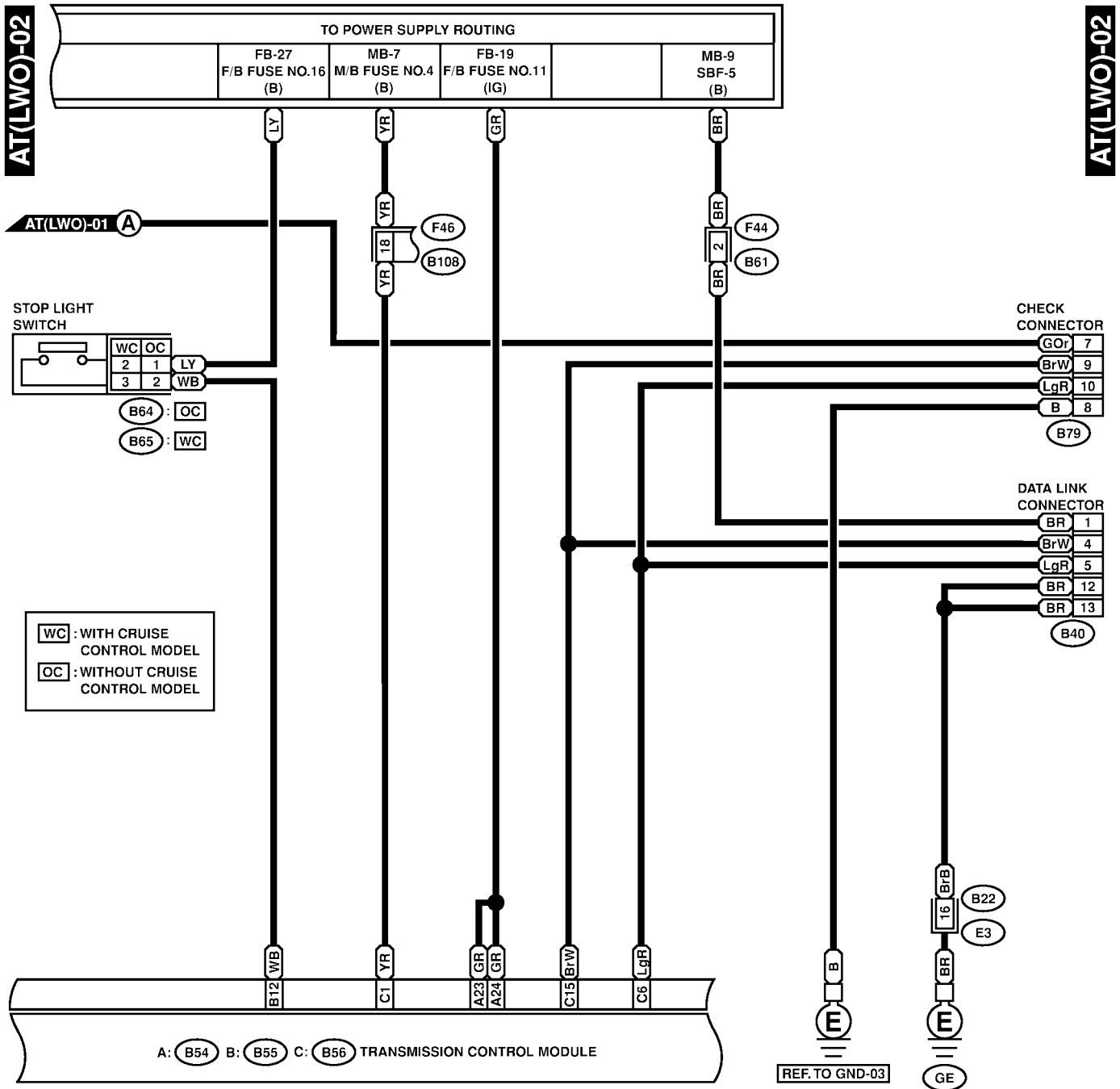
S903485A2110



SL41-20A

# A/T CONTROL SYSTEM

Wiring System



B64 (BLACK)



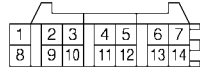
B65 (BLACK)



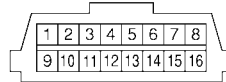
B61



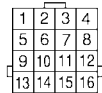
B79 (GRAY)



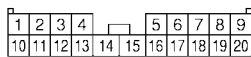
B40



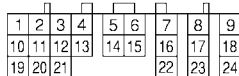
B22 (BROWN)



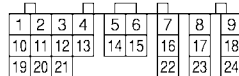
B108



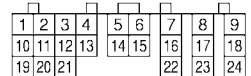
A: B54



B: B55 (GRAY)

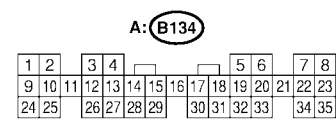
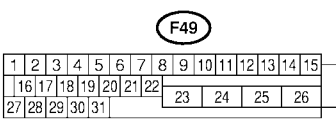
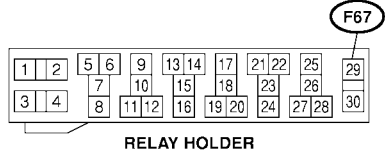
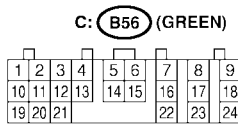
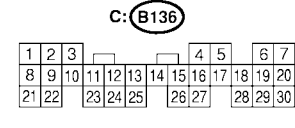
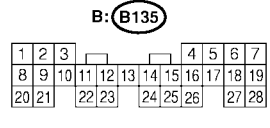
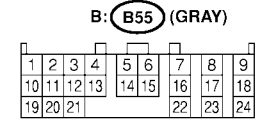
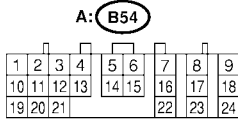
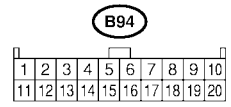
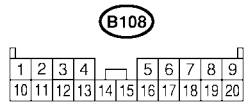
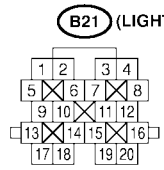
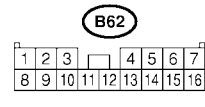
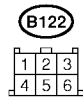
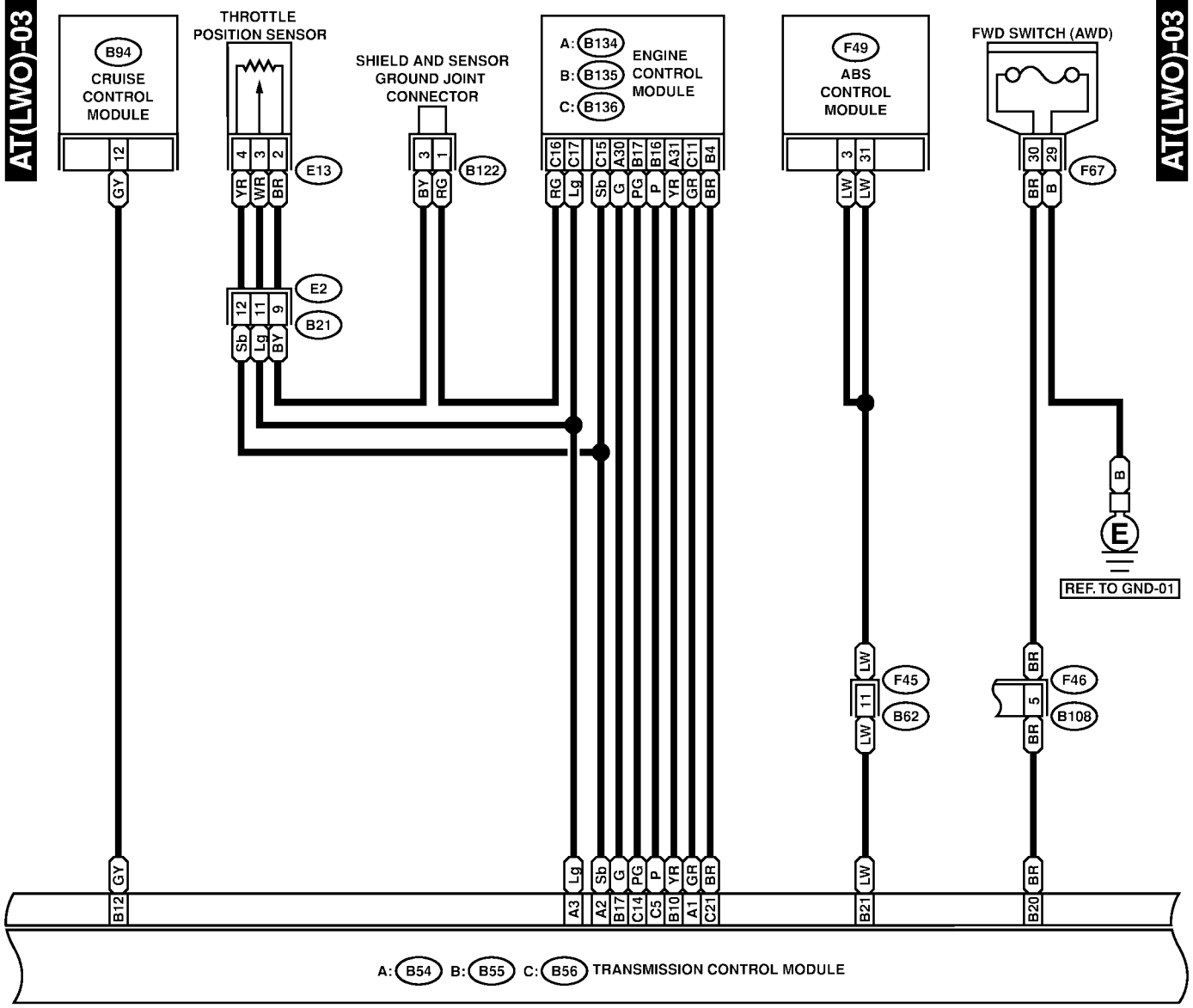


C: B56 (GREEN)



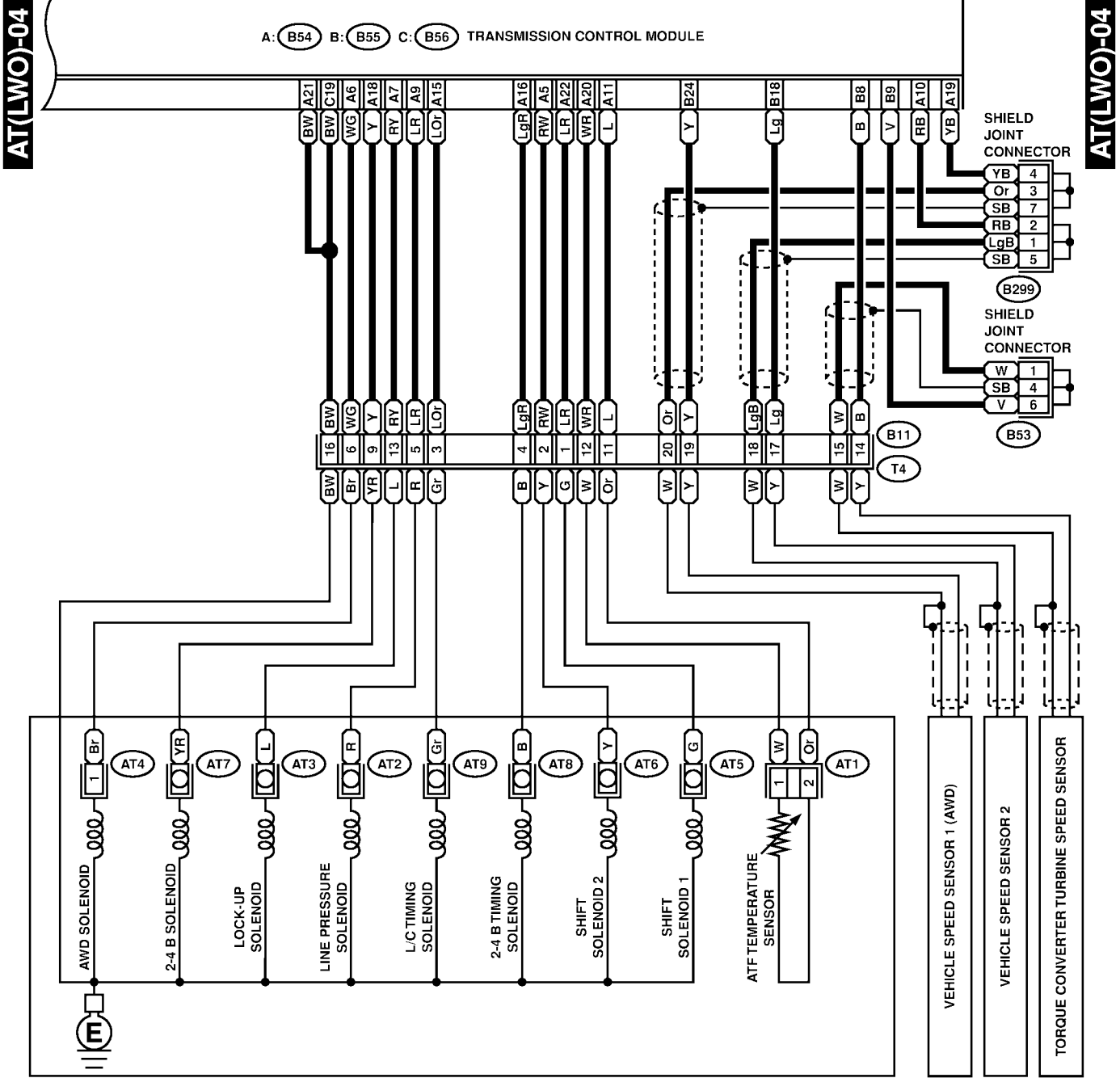
# A/T CONTROL SYSTEM

Wiring System



# A/T CONTROL SYSTEM

Wiring System



AT4 (BROWN)



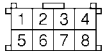
AT1 (GRAY)



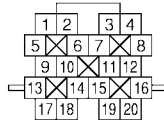
B53



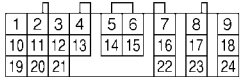
B299



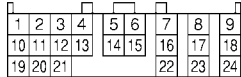
B11 (BLACK)



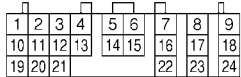
A: B54



B: B55 (GRAY)



C: B56 (GREEN)

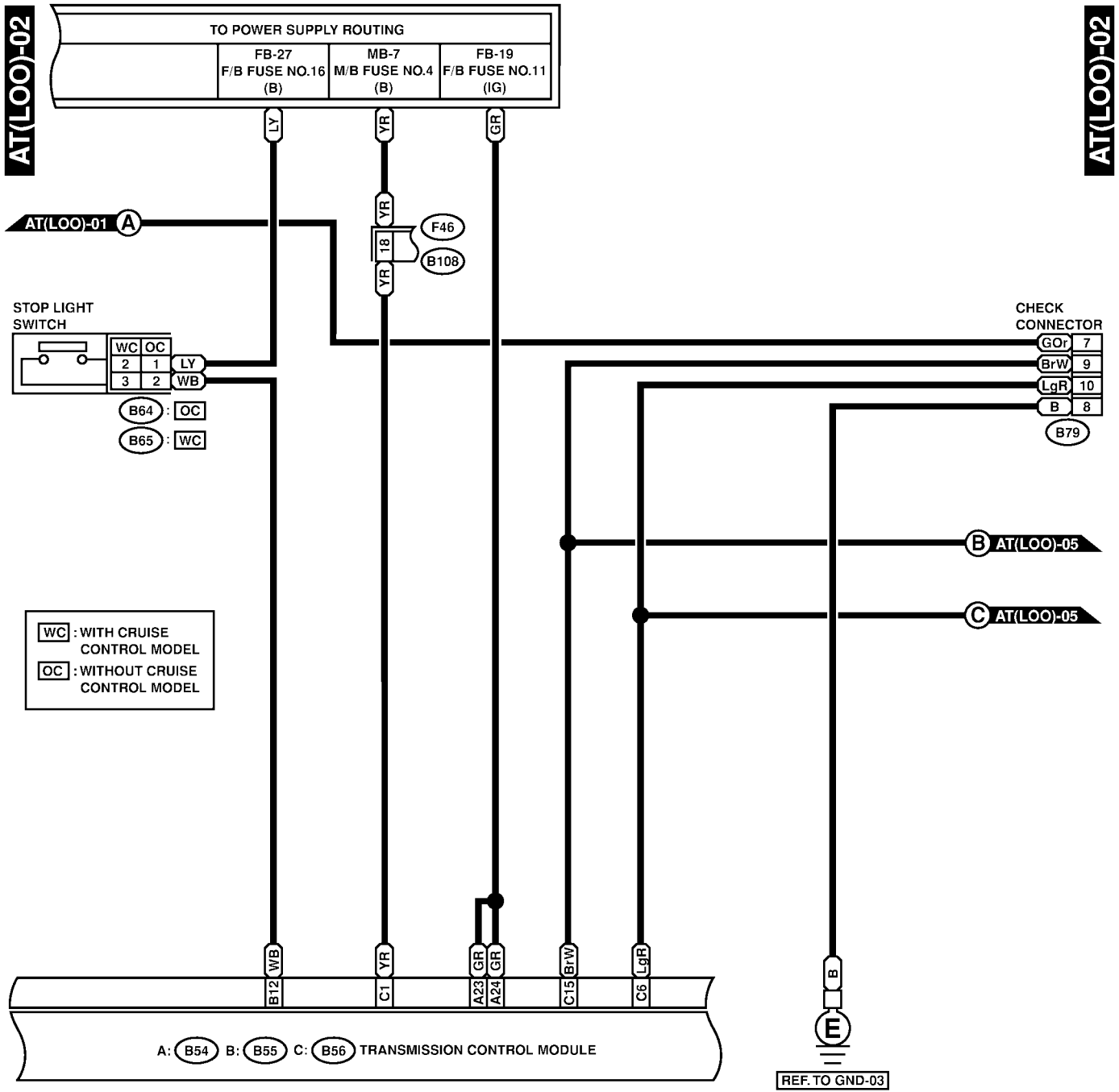






# A/T CONTROL SYSTEM

Wiring System



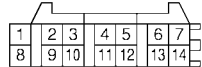
B64 (BLACK)



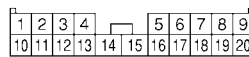
B65 (BLACK)



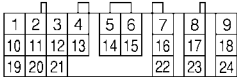
B79 (GRAY)



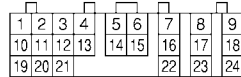
B108



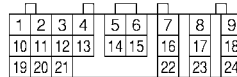
A: B54



B: B55 (GRAY)

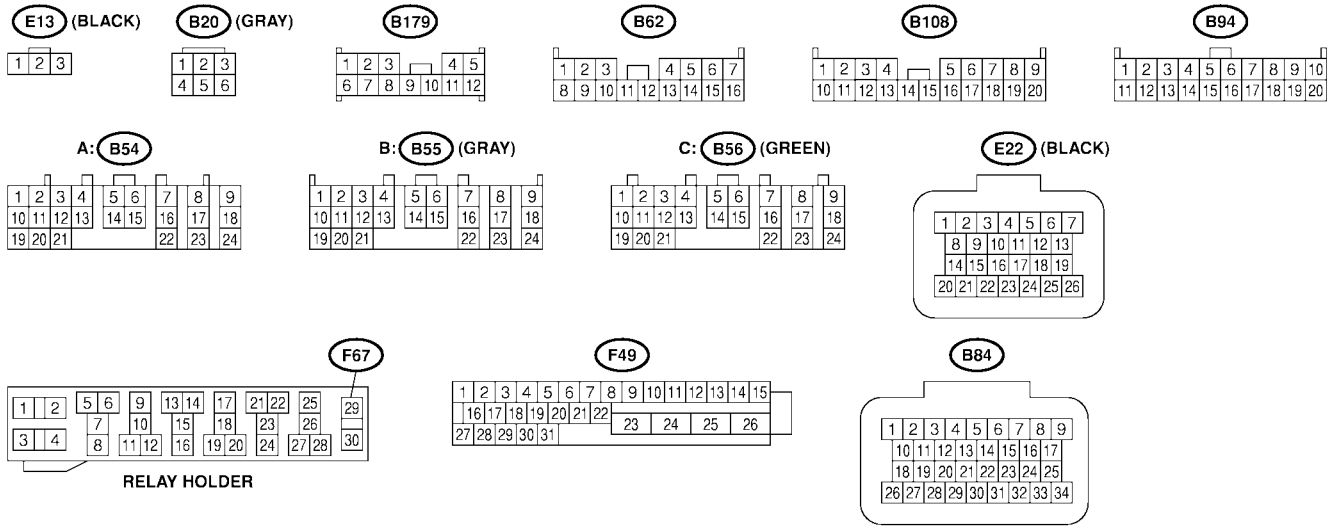
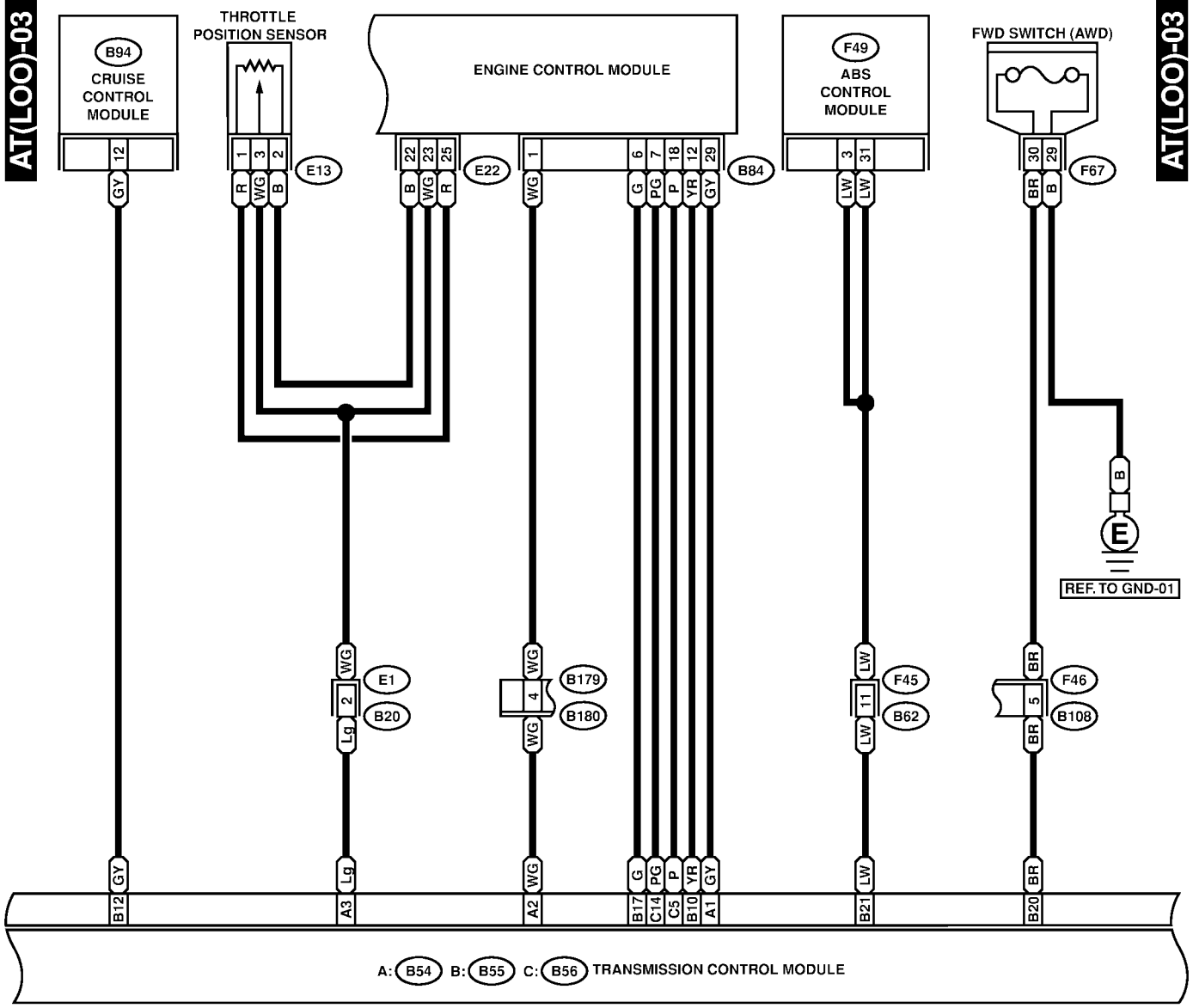


C: B56 (GREEN)



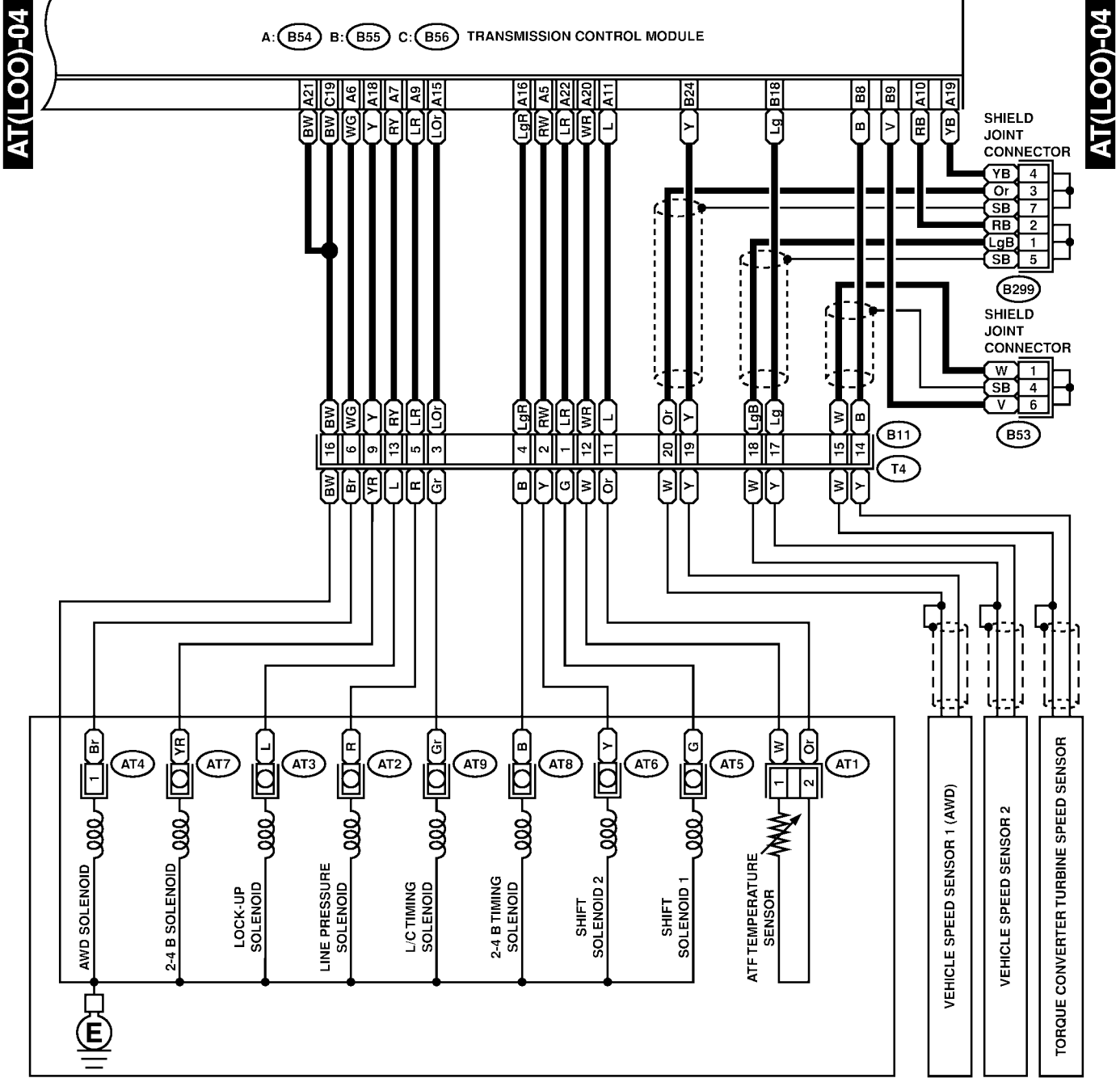
# A/T CONTROL SYSTEM

Wiring System



# A/T CONTROL SYSTEM

Wiring System



AT4 (BROWN)



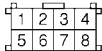
AT1 (GRAY)



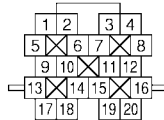
B53



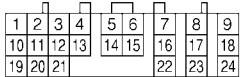
B299



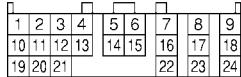
B11 (BLACK)



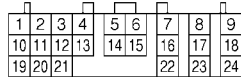
A: B54



B: B55 (GRAY)

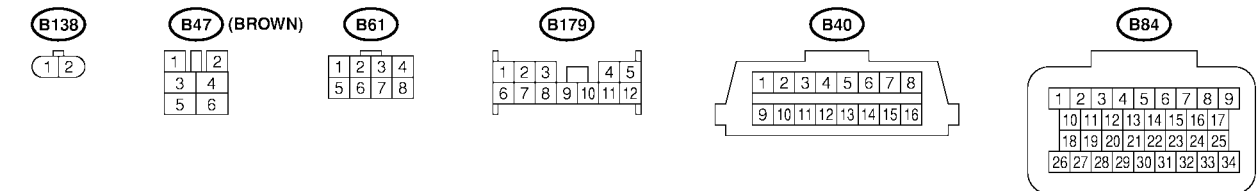
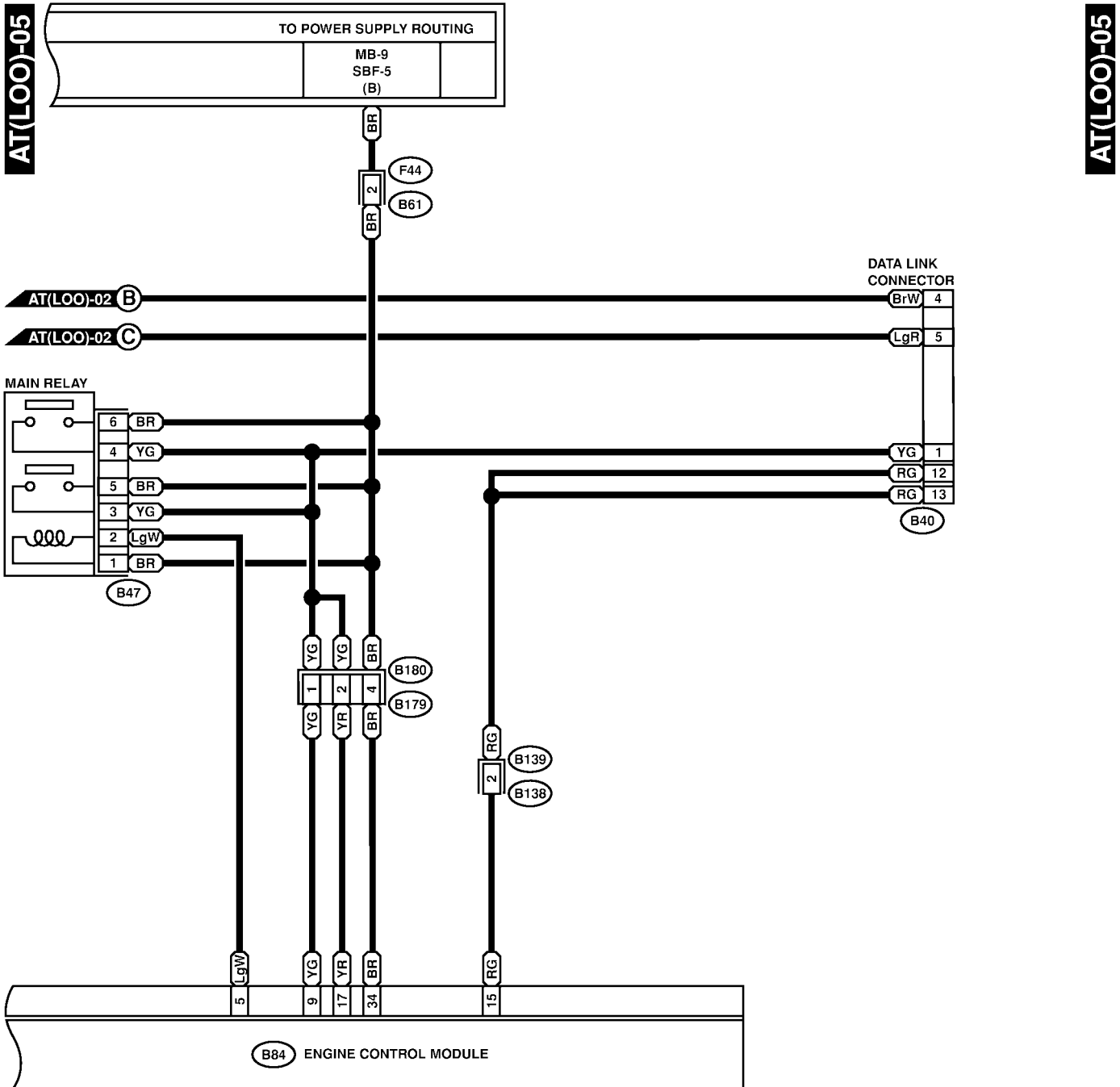


C: B56 (GREEN)

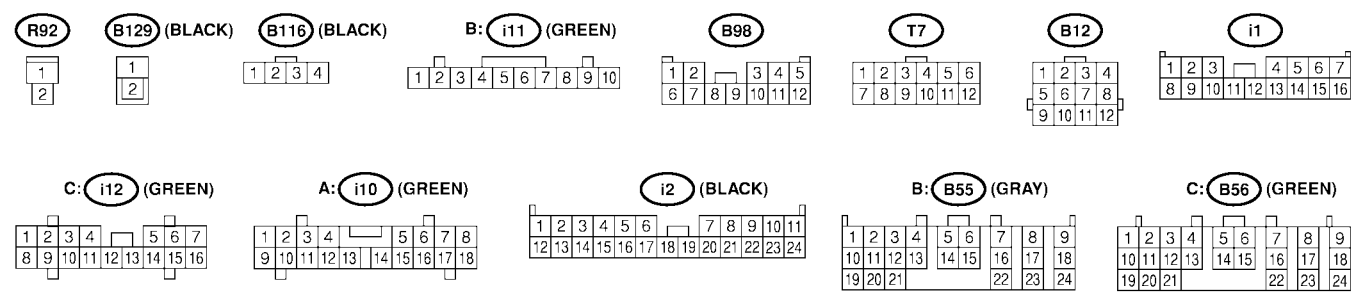
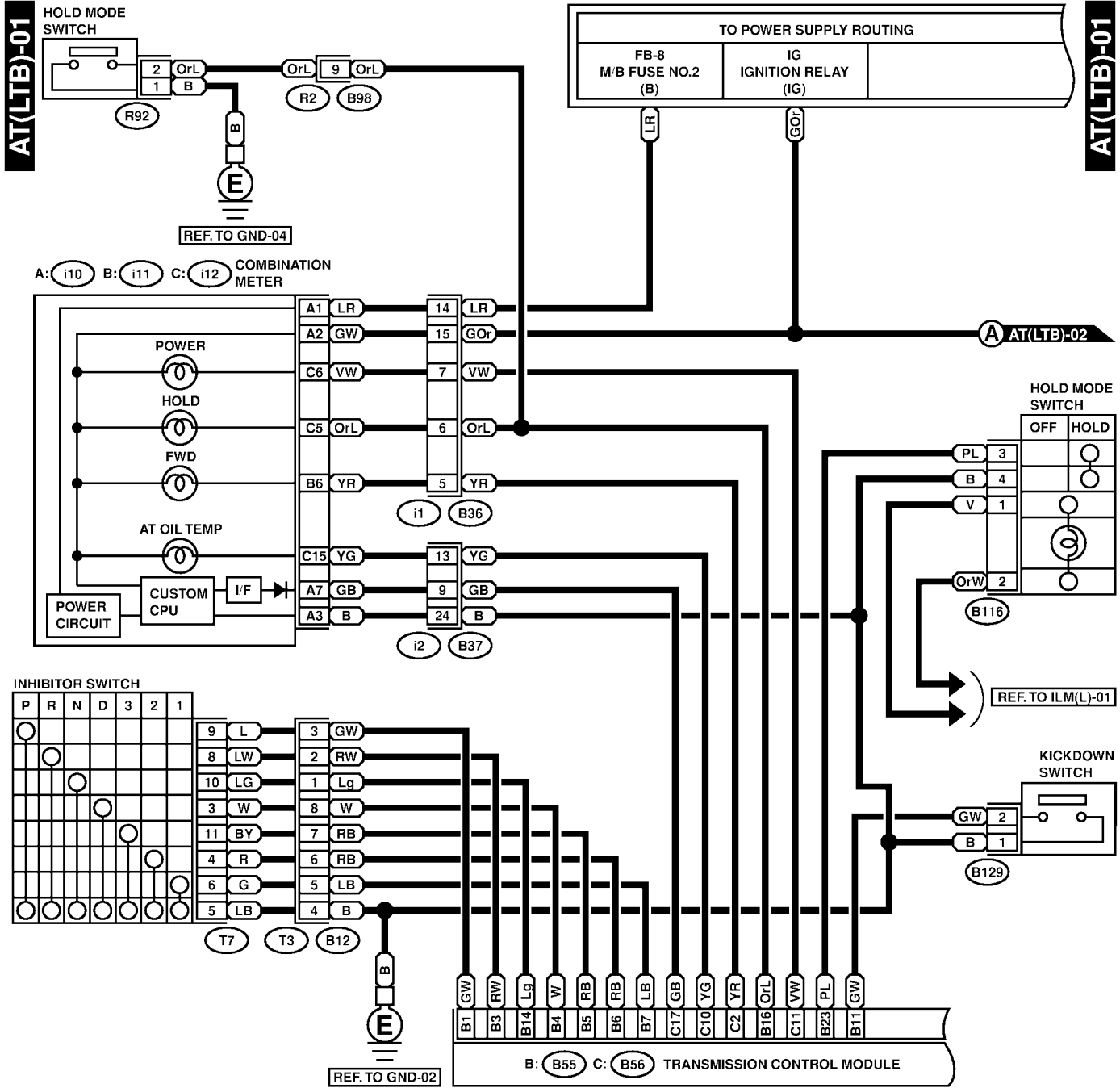


# A/T CONTROL SYSTEM

Wiring System

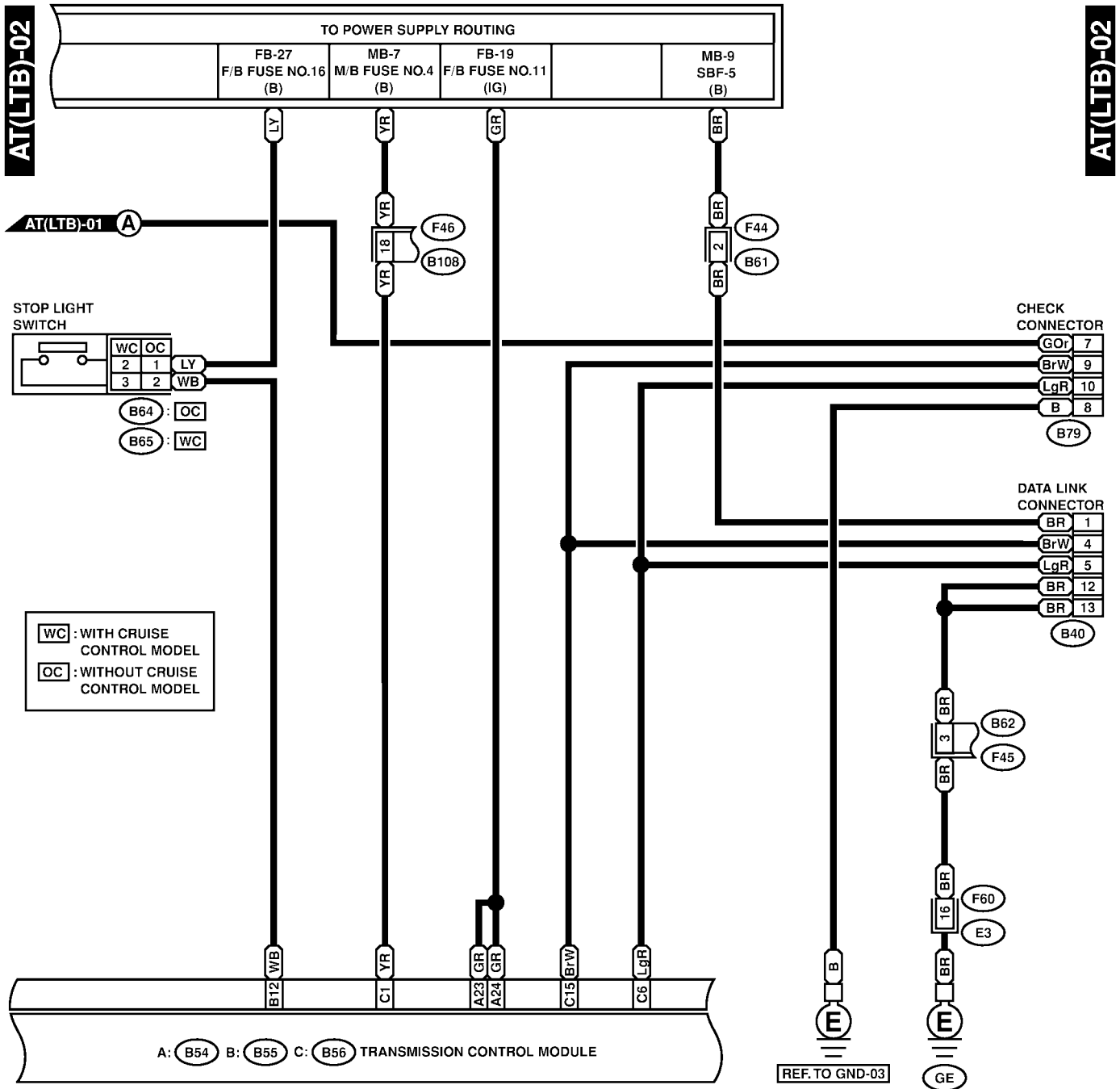


## 3. LHD TURBO MODEL S903485A2.112



# A/T CONTROL SYSTEM

Wiring System



B64 (BLACK)



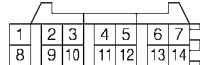
B65 (BLACK)



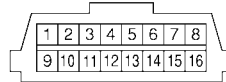
B61



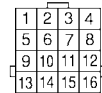
B79 (GRAY)



B40

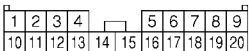


F60 (BROWN)

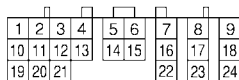


B108

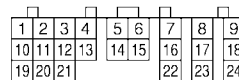
B62



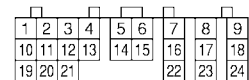
A: B54



B: B55 (GRAY)

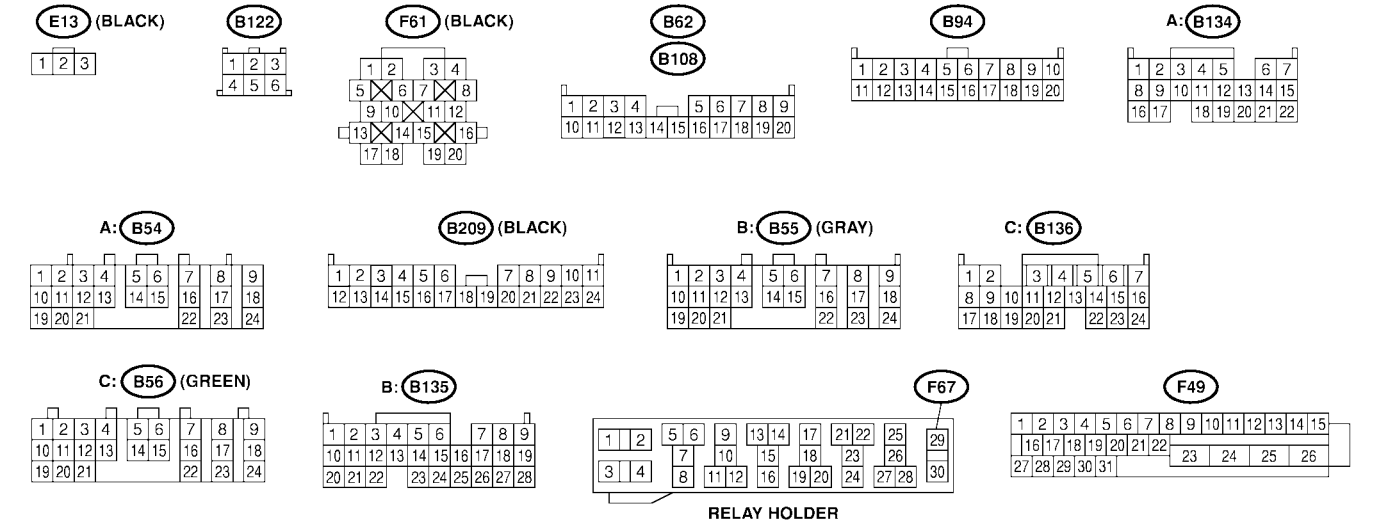
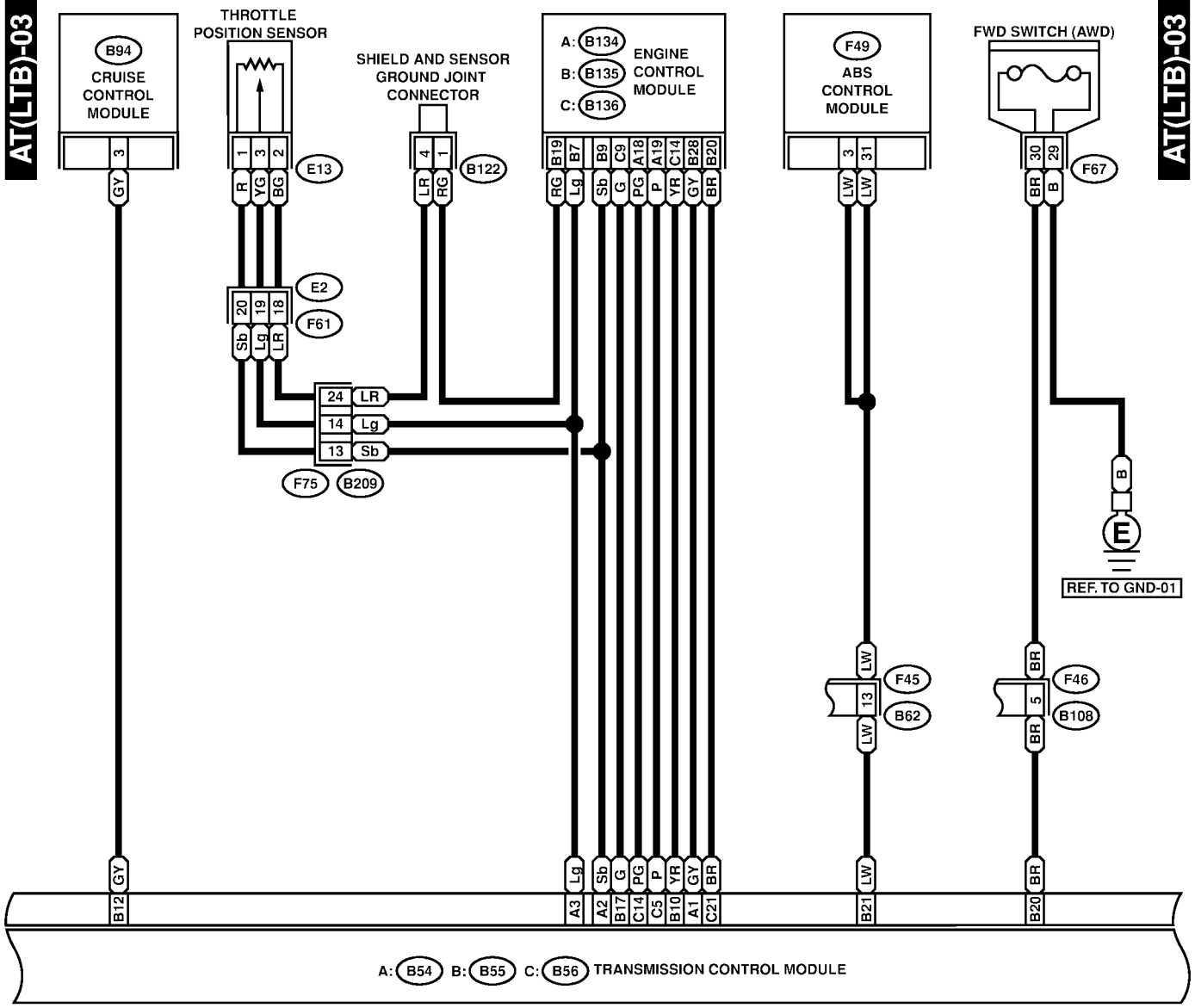


C: B56 (GREEN)



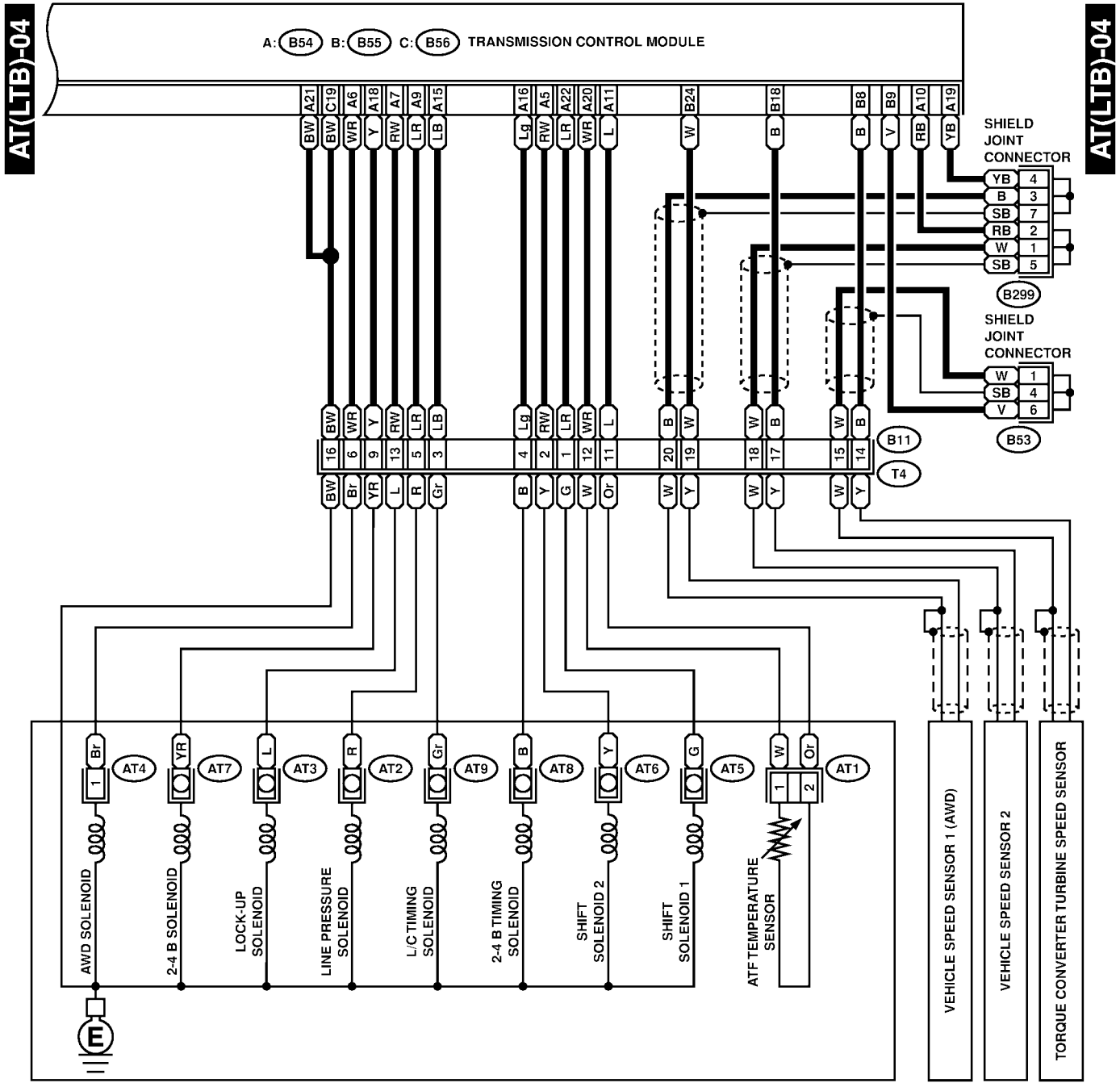
# A/T CONTROL SYSTEM

Wiring System



# A/T CONTROL SYSTEM

Wiring System



AT4 (BROWN)



AT1 (GRAY)



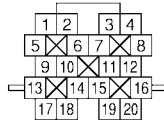
B53



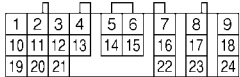
B299



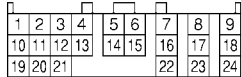
B11 (BLACK)



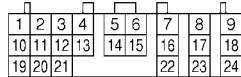
A: B54



B: B55 (GRAY)



C: B56 (GREEN)



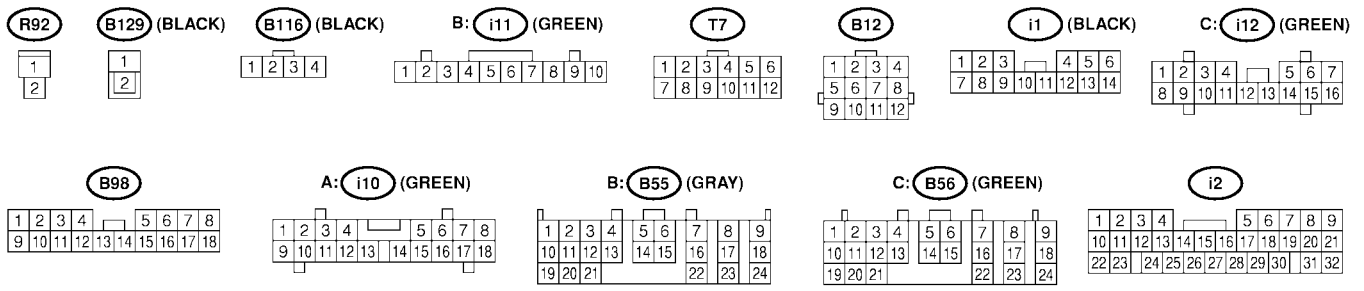
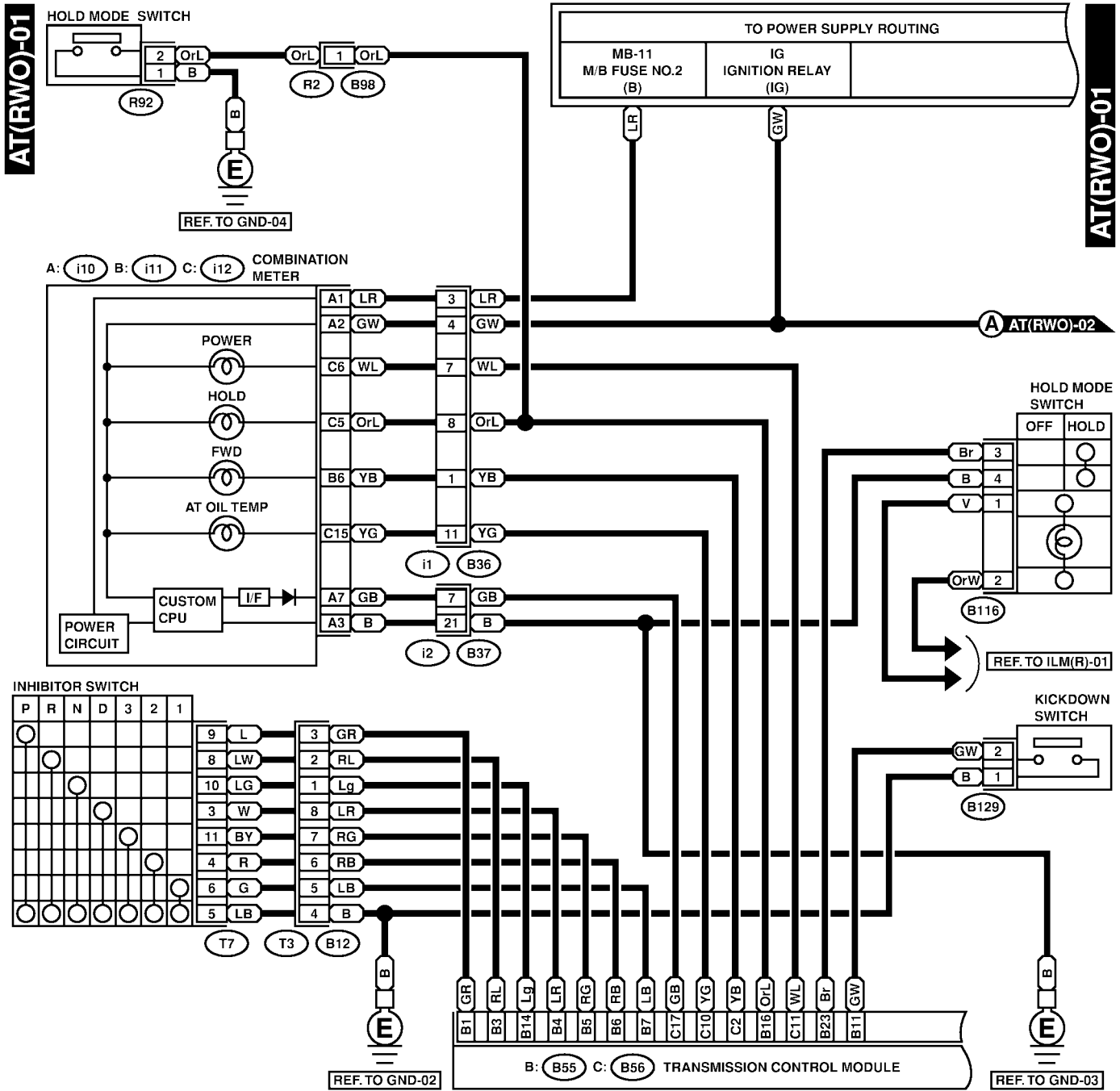


# A/T CONTROL SYSTEM

Wiring System

## 4. RHD NON-TURBO MODEL WITH OBD

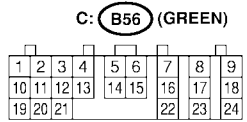
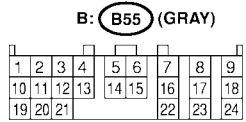
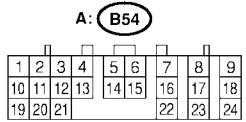
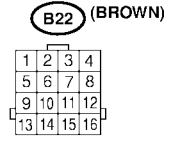
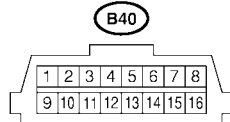
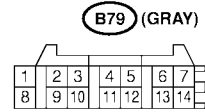
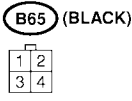
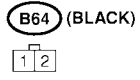
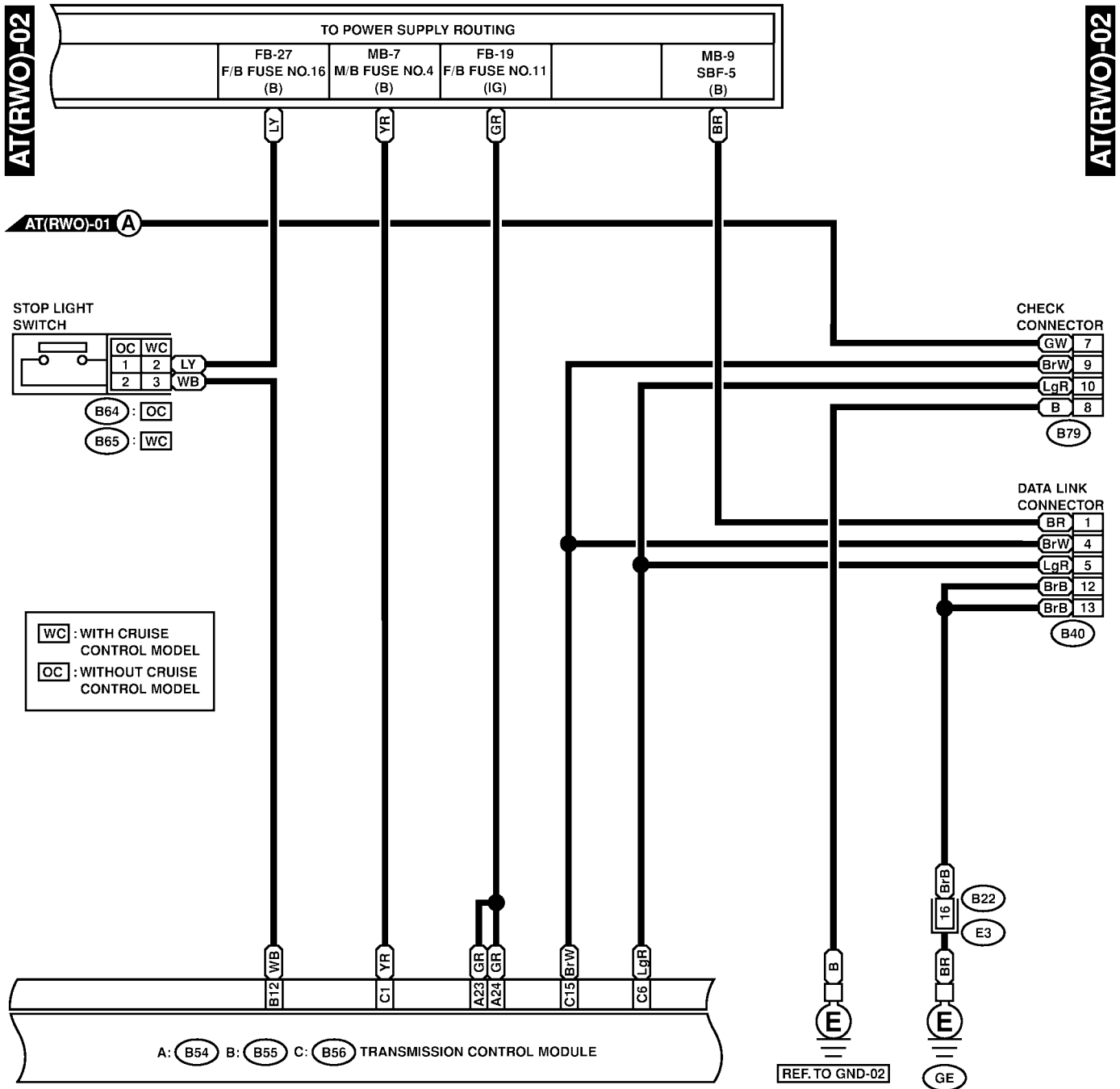
S903485A2113



SR41-20A

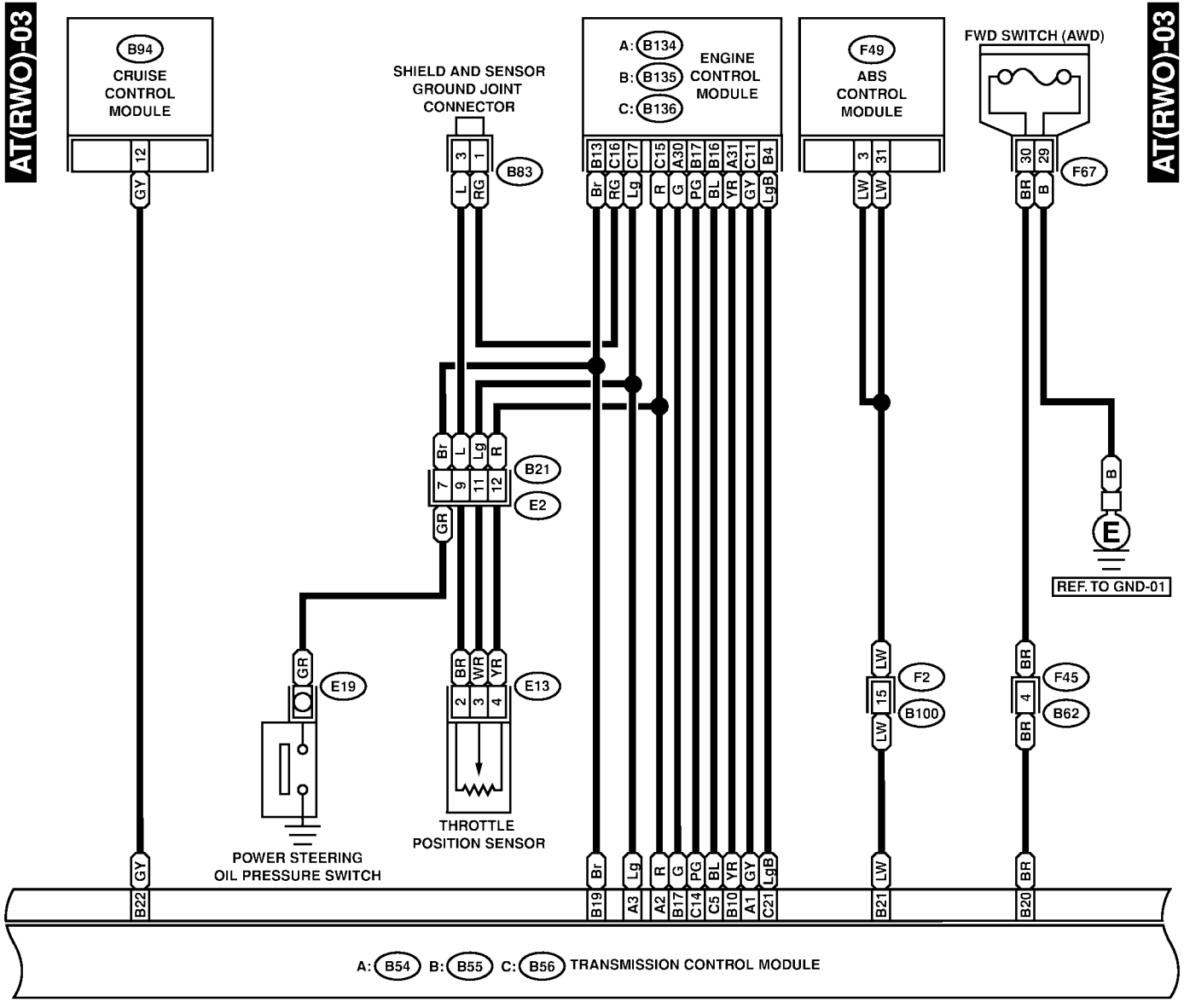
# A/T CONTROL SYSTEM

Wiring System

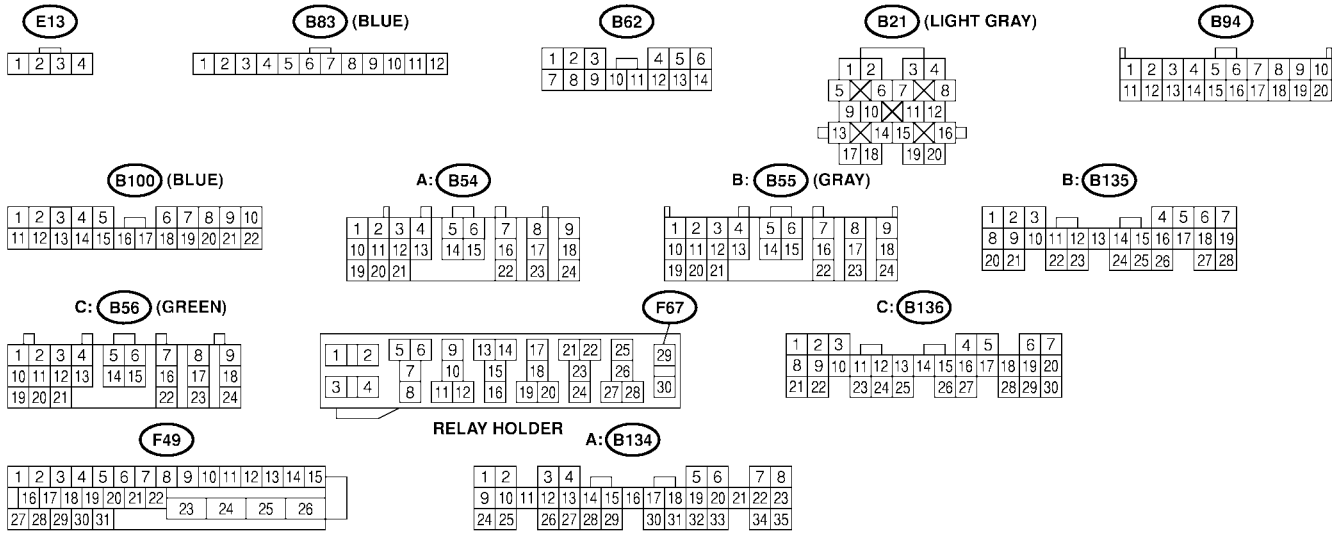


# A/T CONTROL SYSTEM

Wiring System



**AT(RWO)-03**



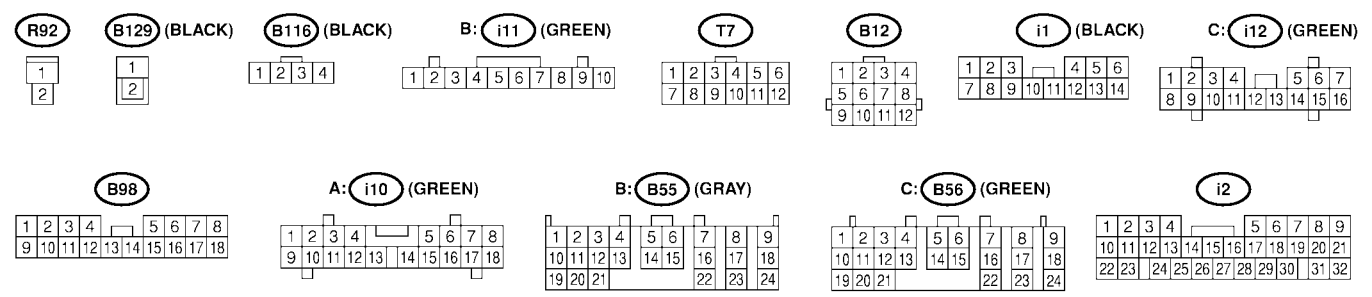
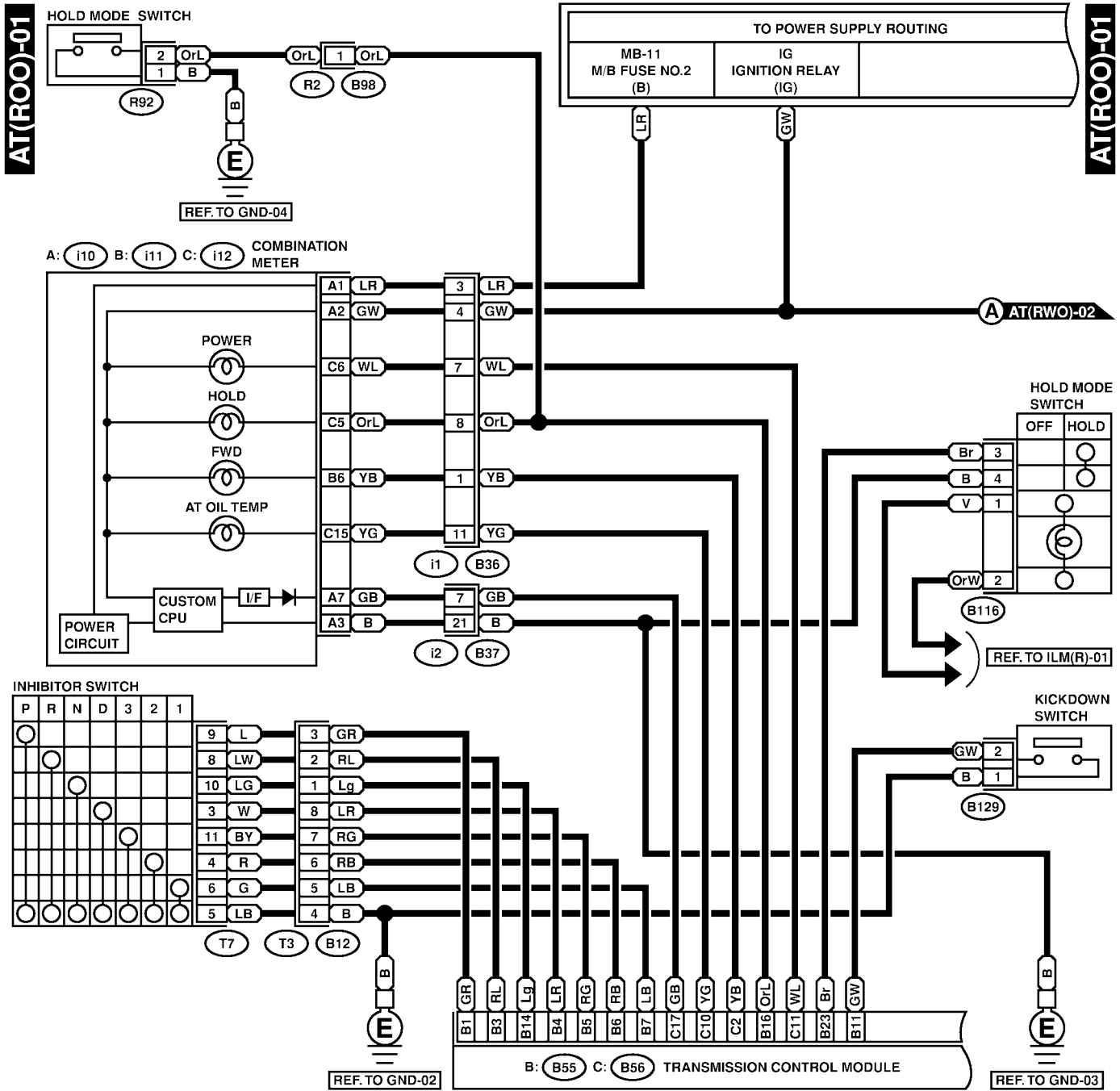


# A/T CONTROL SYSTEM

Wiring System

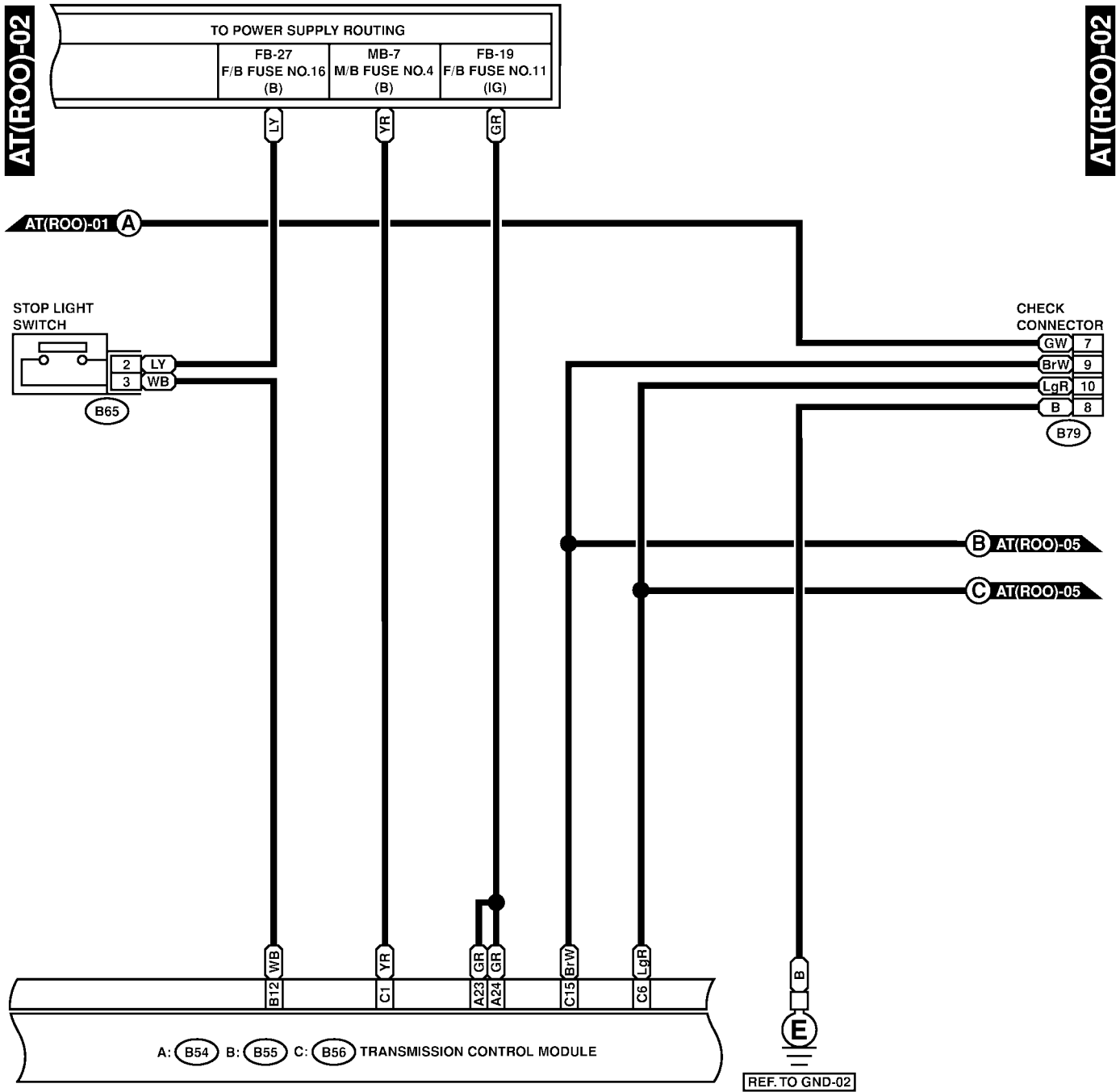
## 5. RHD NON-TURBO MODEL WITHOUT OBD

S903485A2114



# A/T CONTROL SYSTEM

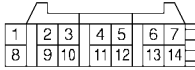
Wiring System



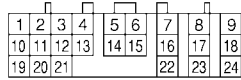
B65 (BLACK)



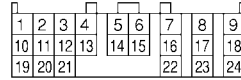
B79 (GRAY)



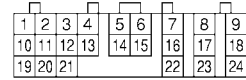
A: B54



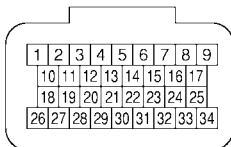
B: B55 (GRAY)



C: B56 (GREEN)

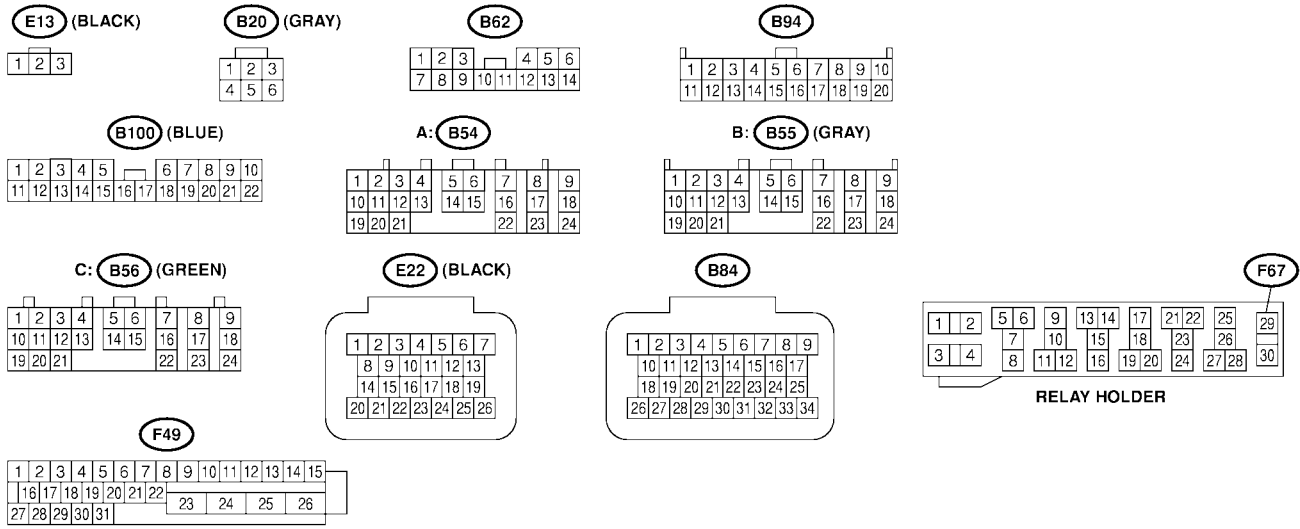
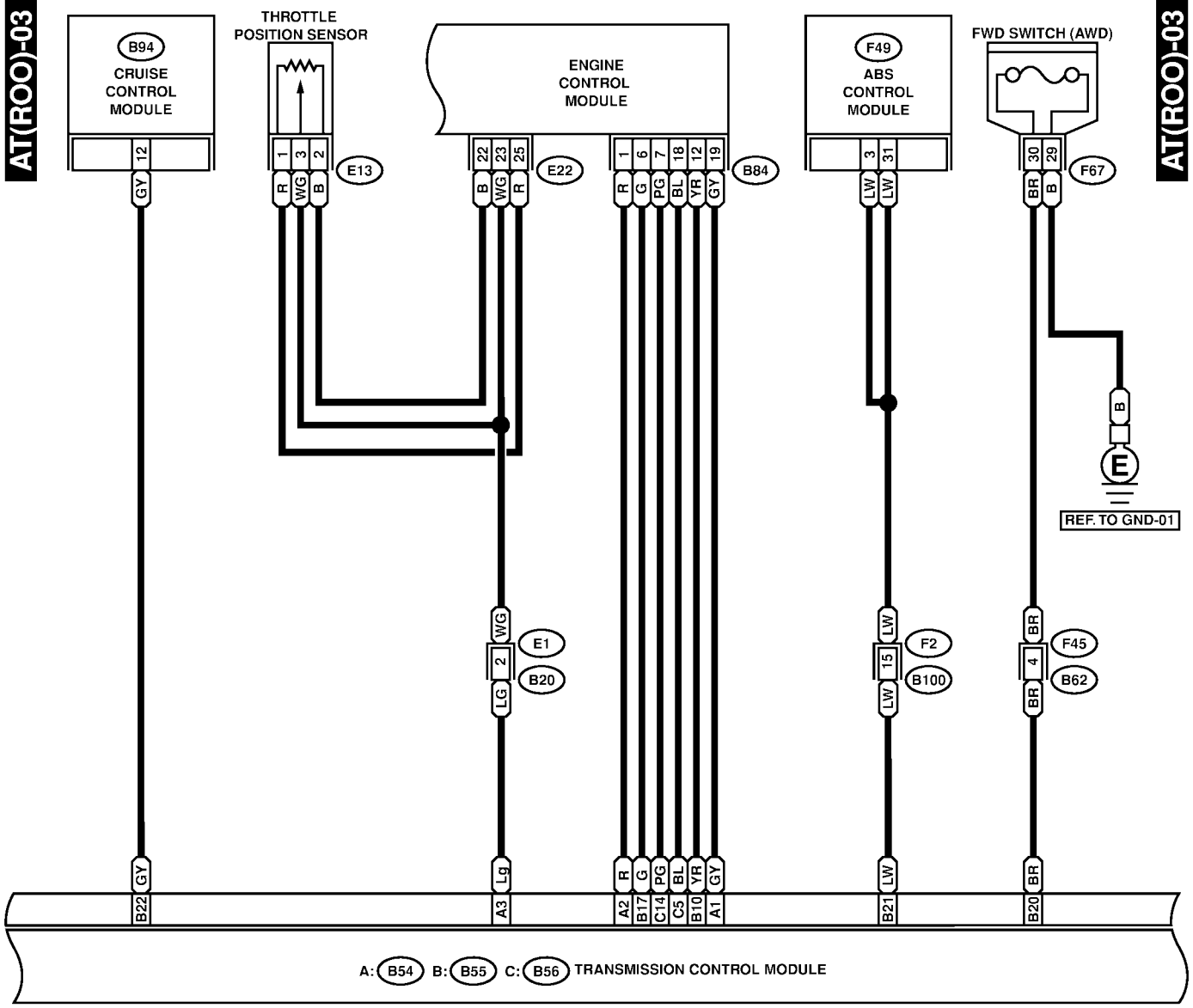


B84



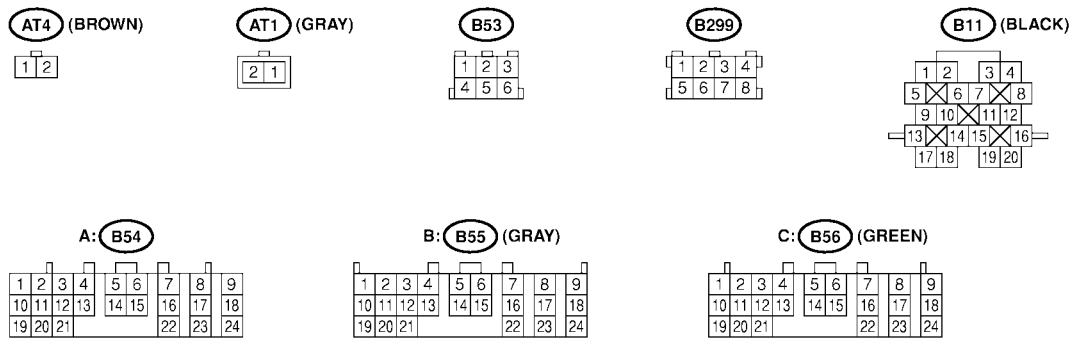
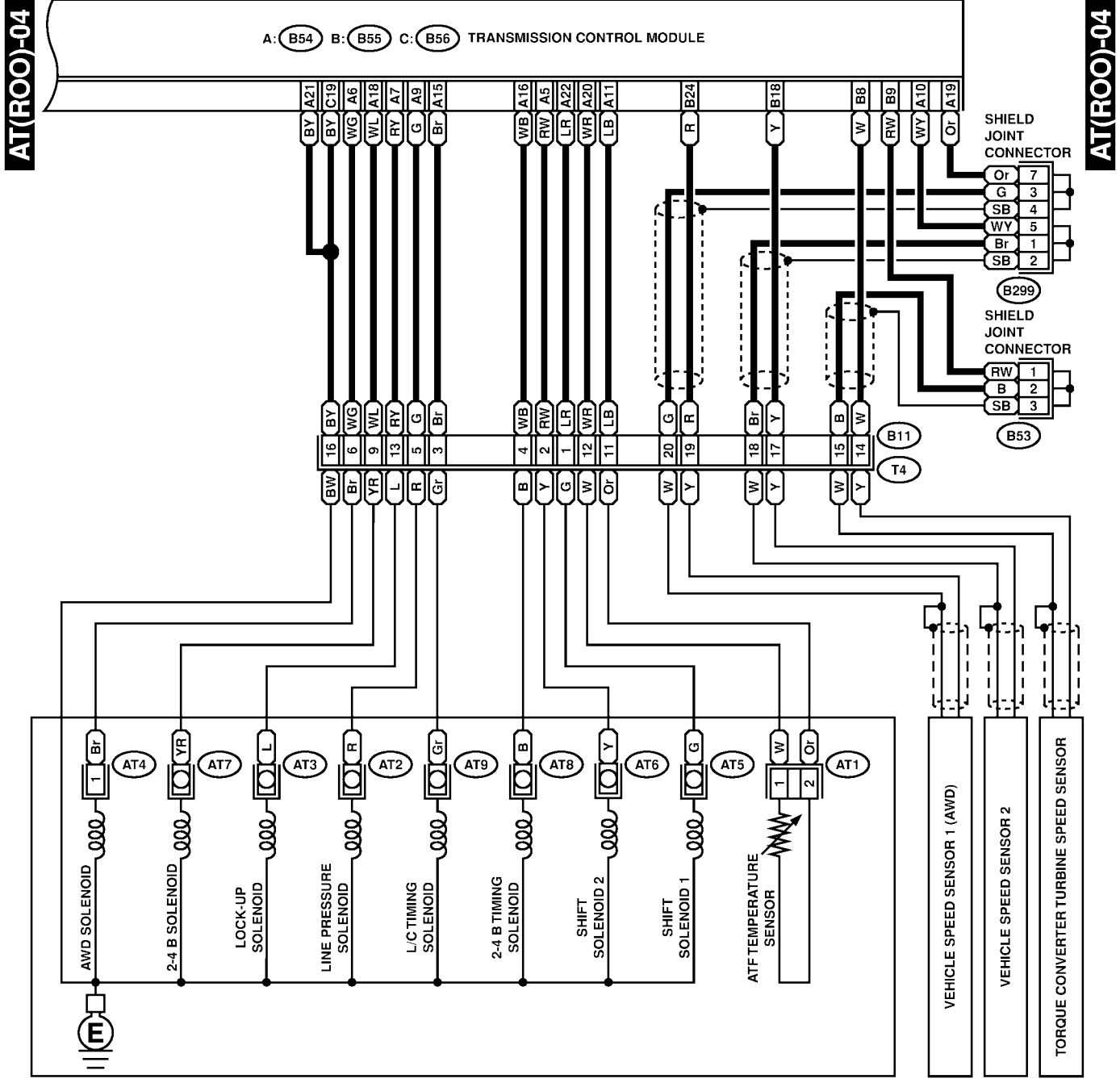
# A/T CONTROL SYSTEM

Wiring System



# A/T CONTROL SYSTEM

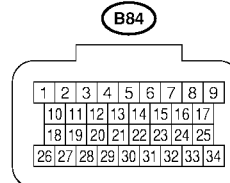
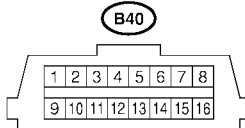
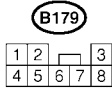
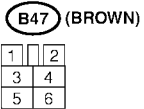
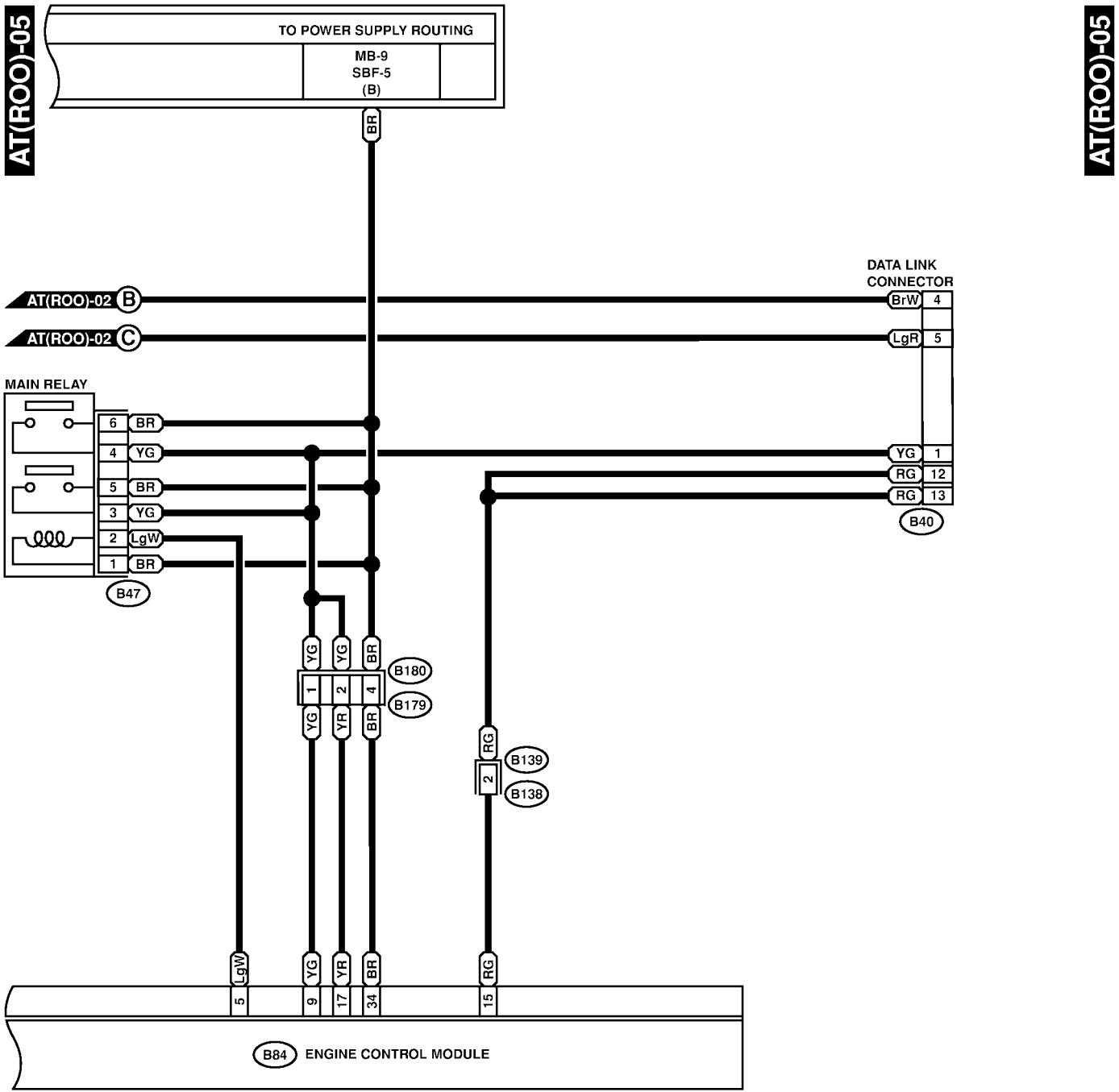
Wiring System





# A/T CONTROL SYSTEM

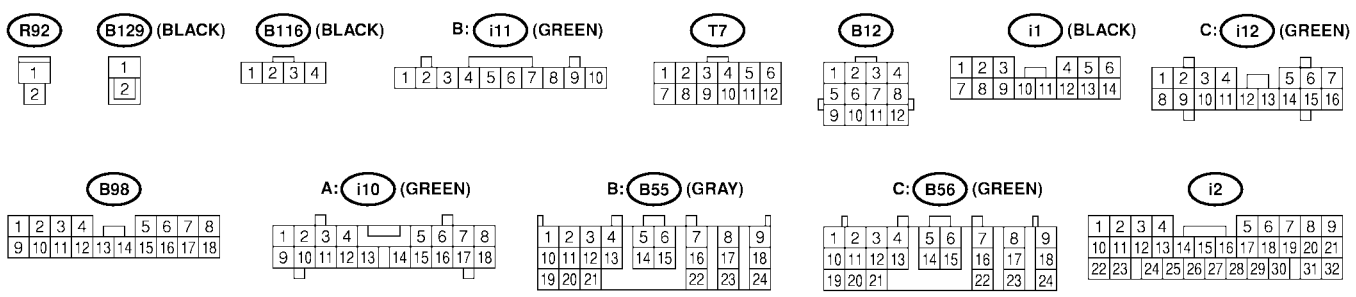
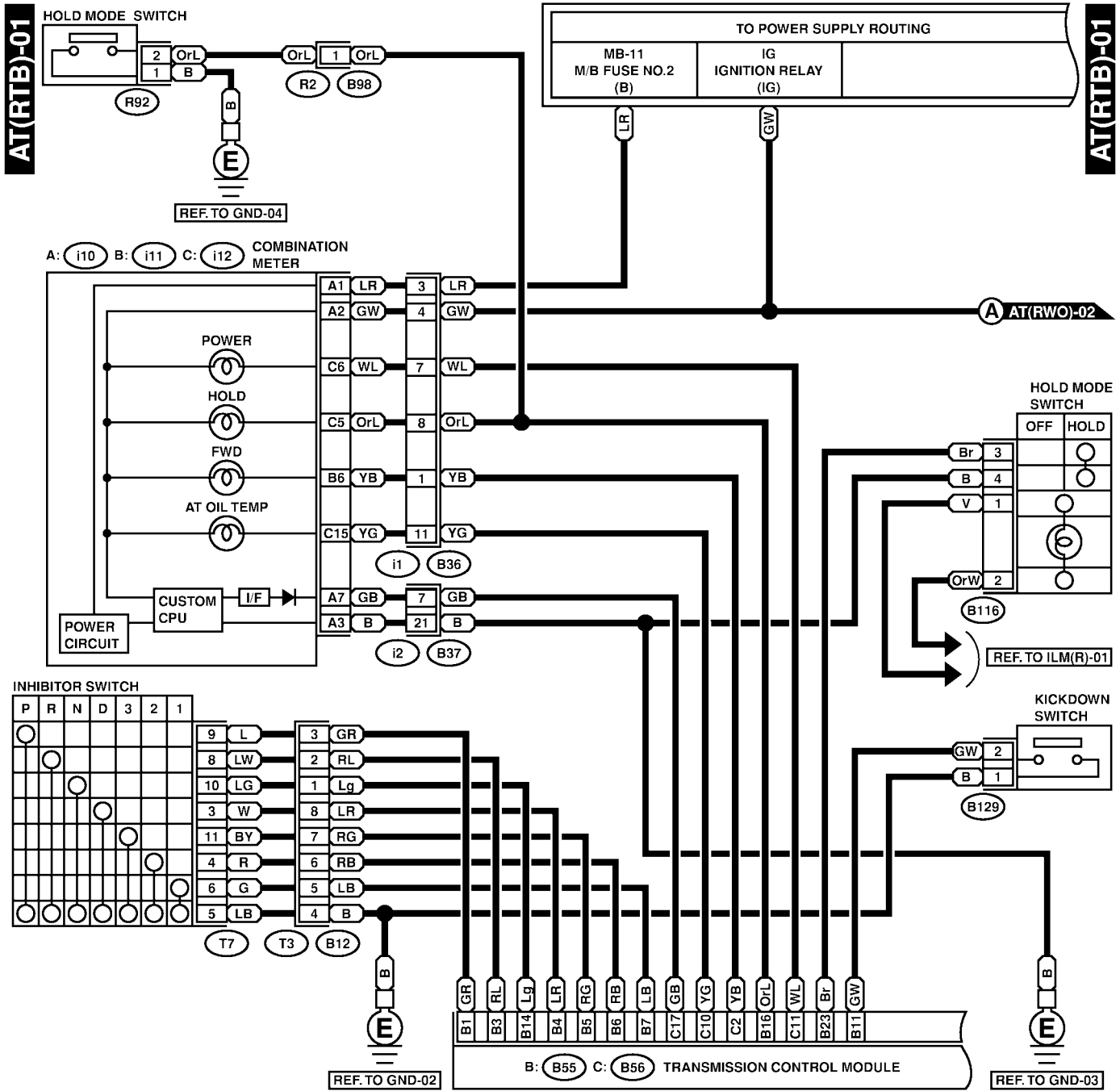
Wiring System



# A/T CONTROL SYSTEM

Wiring System

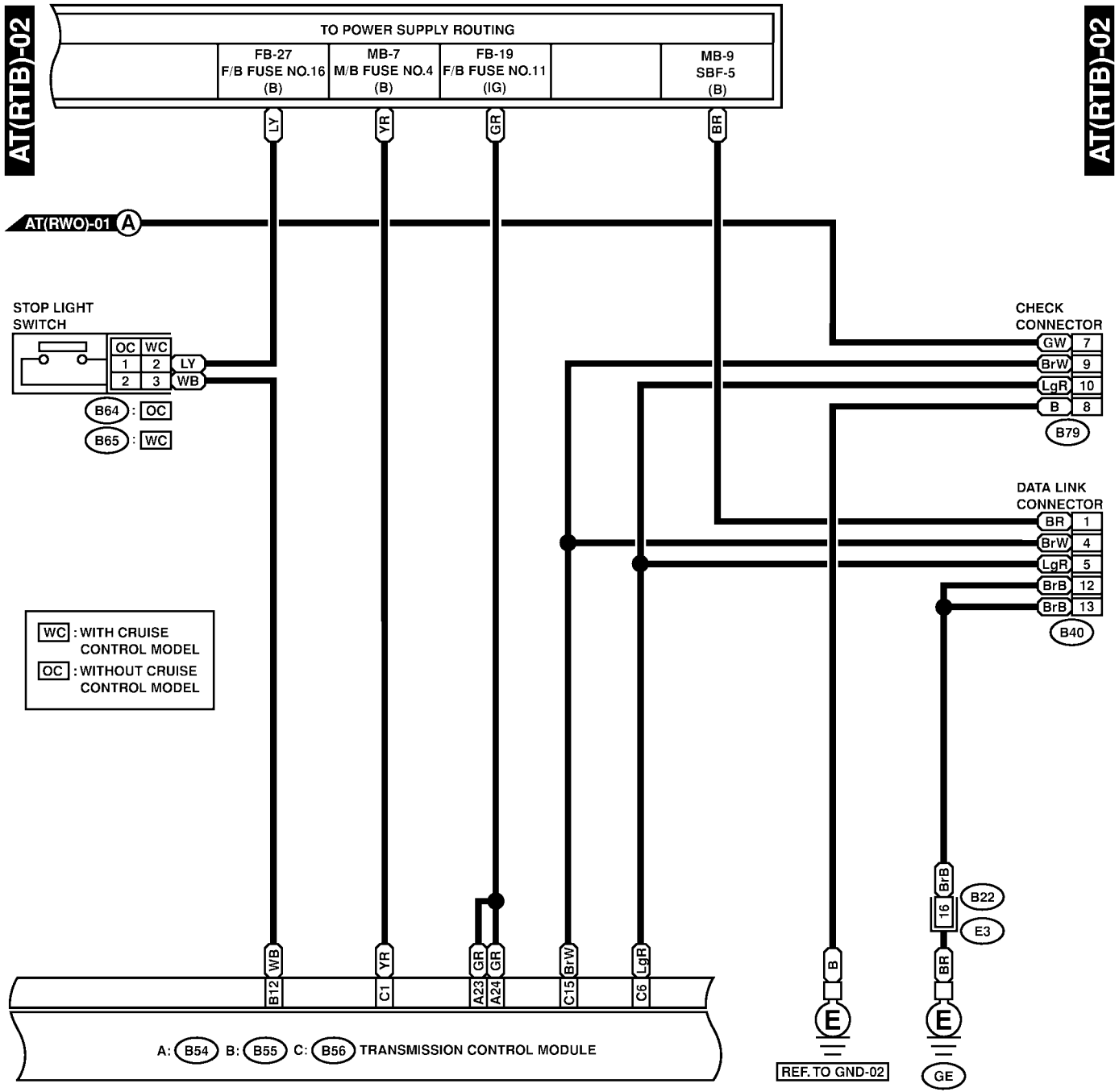
## 6. RHD TURBO MODEL S903485A2115



SR41-22A

# A/T CONTROL SYSTEM

Wiring System



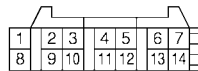
B64 (BLACK)



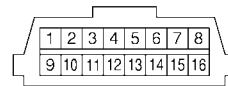
B65 (BLACK)



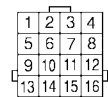
B79 (GRAY)



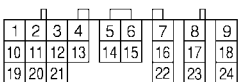
B40



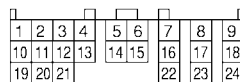
B22 (BROWN)



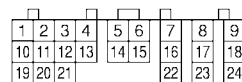
A: B54



B: B55 (GRAY)

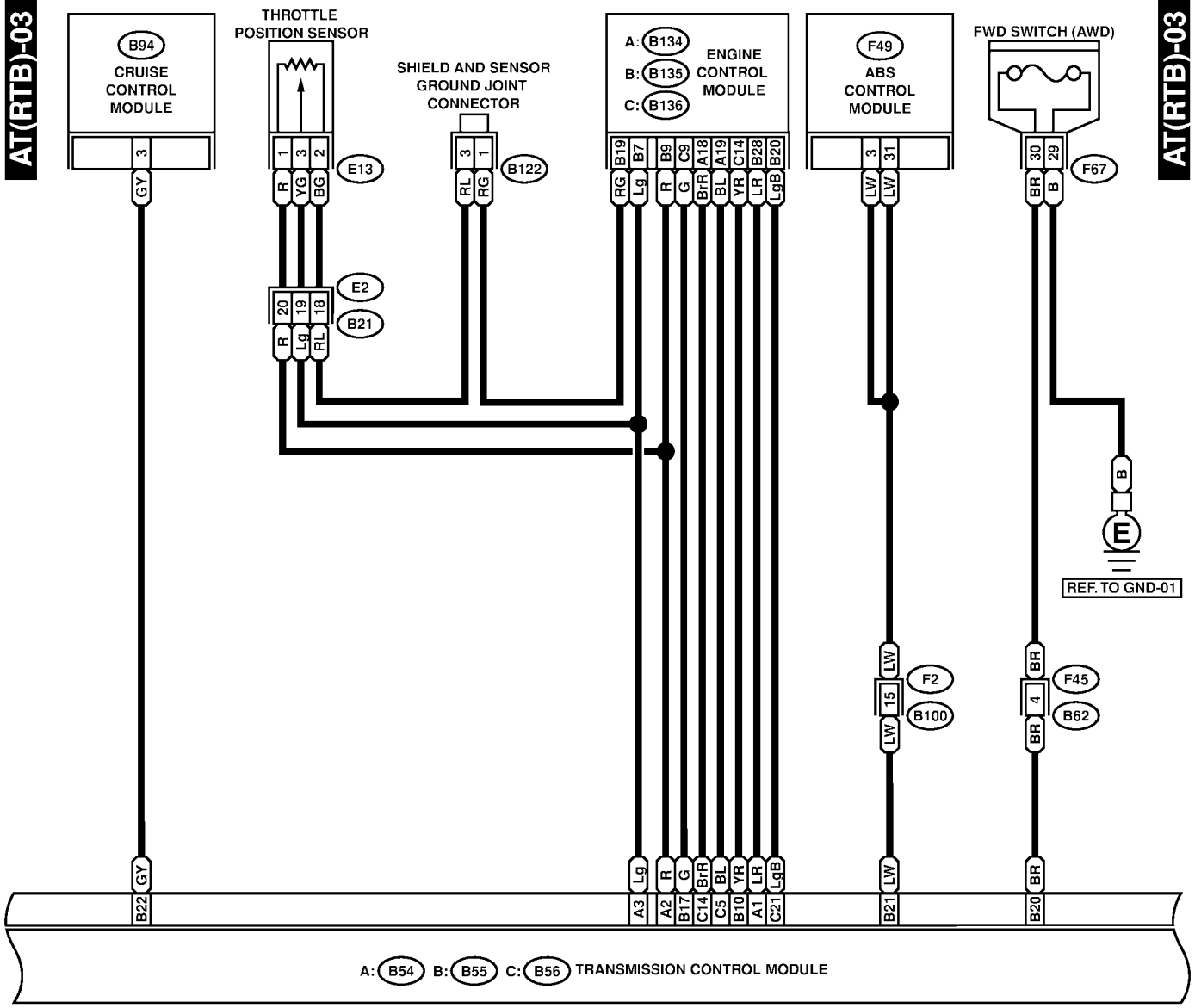


C: B56 (GREEN)



# A/T CONTROL SYSTEM

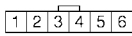
Wiring System



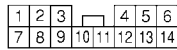
**E13 (BLACK)**



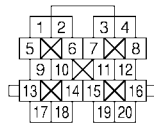
**B122 (GRAY)**



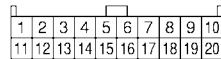
**B62**



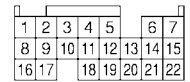
**B21 (BLACK)**



**B94**



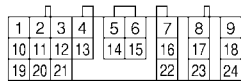
**A: B134**



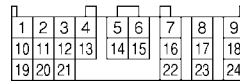
**B100 (BLUE)**



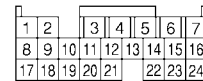
**A: B54**



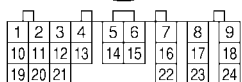
**B: B55 (GRAY)**



**C: B136**



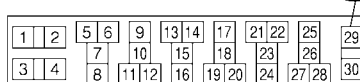
**C: B56 (GREEN)**



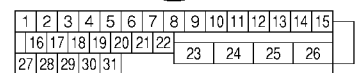
**B: B135**



**F67**



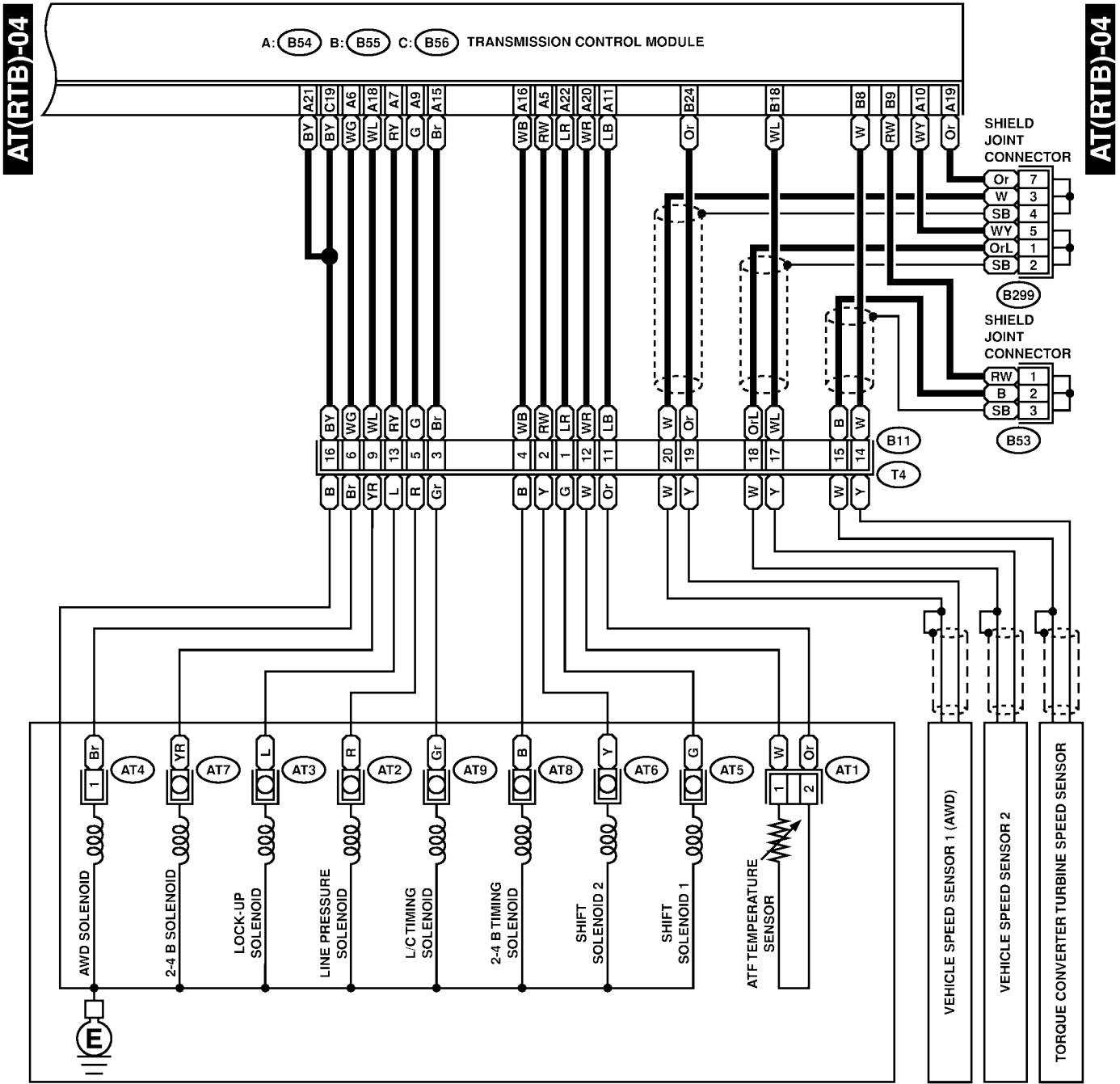
**F49**



RELAY HOLDER

# A/T CONTROL SYSTEM

Wiring System



AT4 (BROWN)



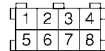
AT1 (GRAY)



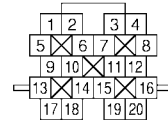
B53



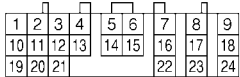
B299



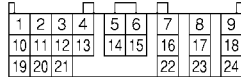
B11 (BLACK)



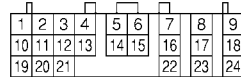
A: B54



B: B55 (GRAY)



C: B56 (GREEN)



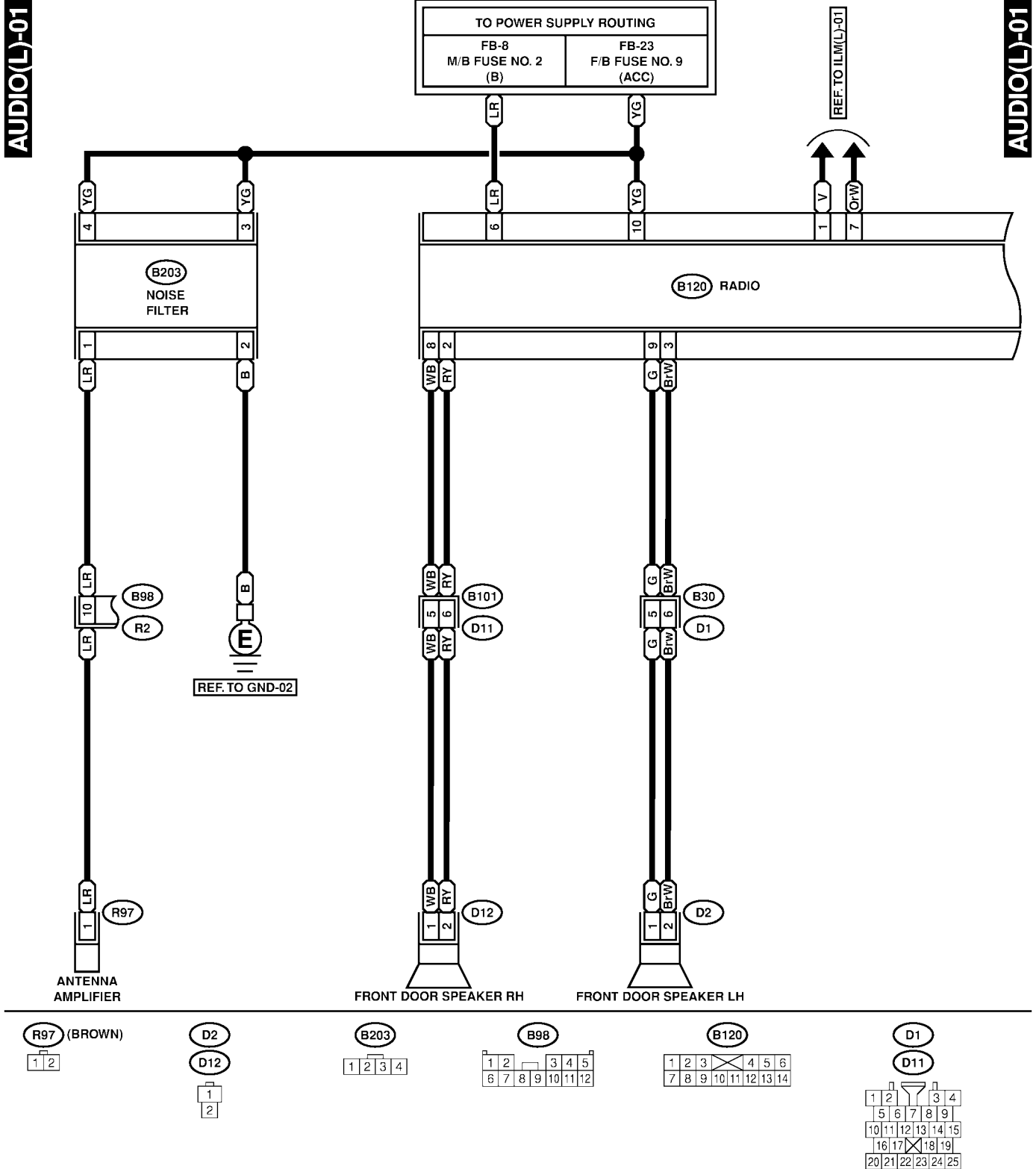
# AUDIO SYSTEM

Wiring System

## 9. Audio System S903486

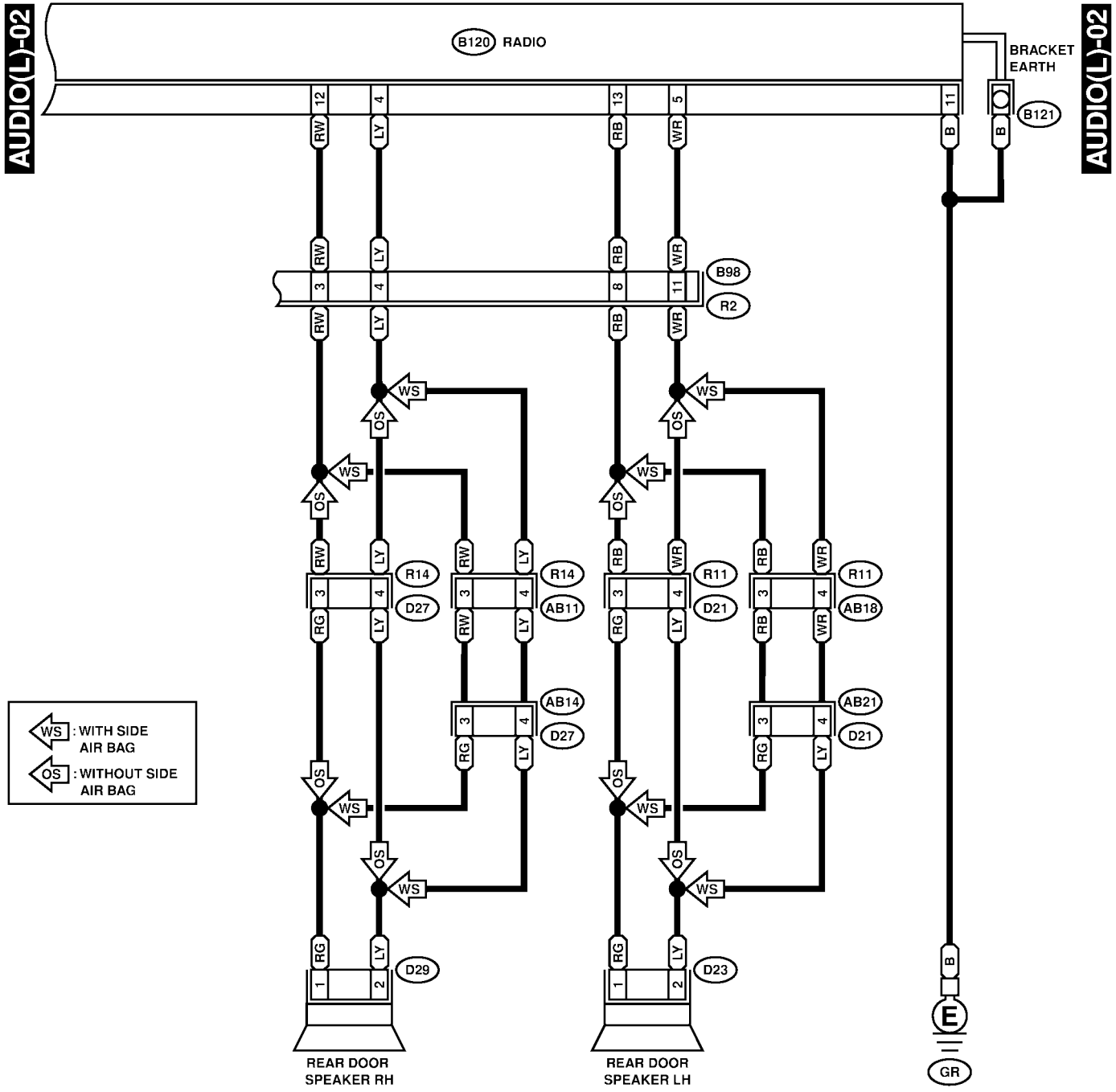
### A: SCHEMATIC S903486A21

#### 1. LHD MODEL S903486A2101

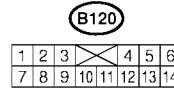
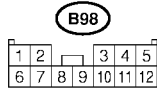


# AUDIO SYSTEM

Wiring System



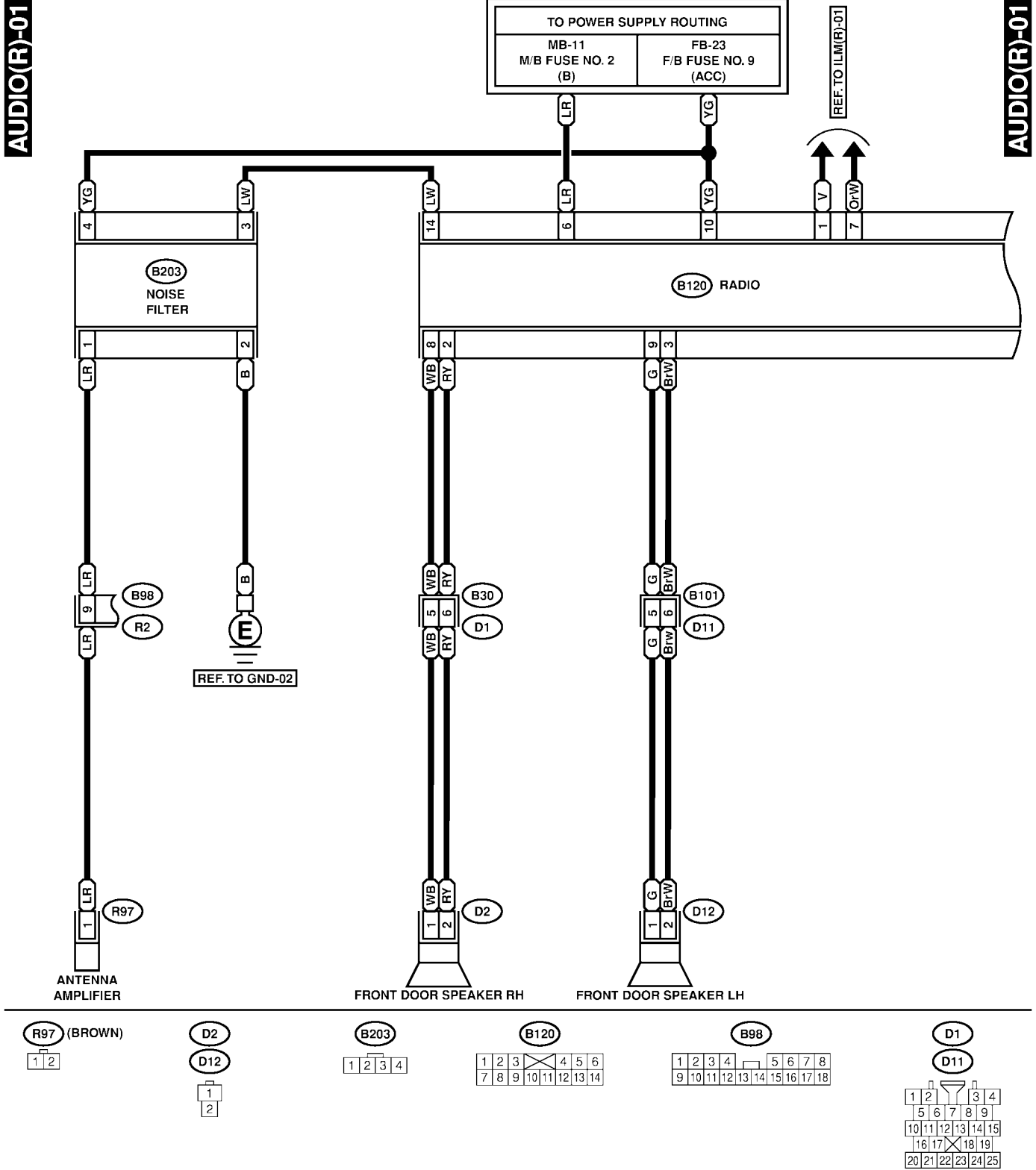
: WITH SIDE AIR BAG  
 : WITHOUT SIDE AIR BAG



# AUDIO SYSTEM

Wiring System

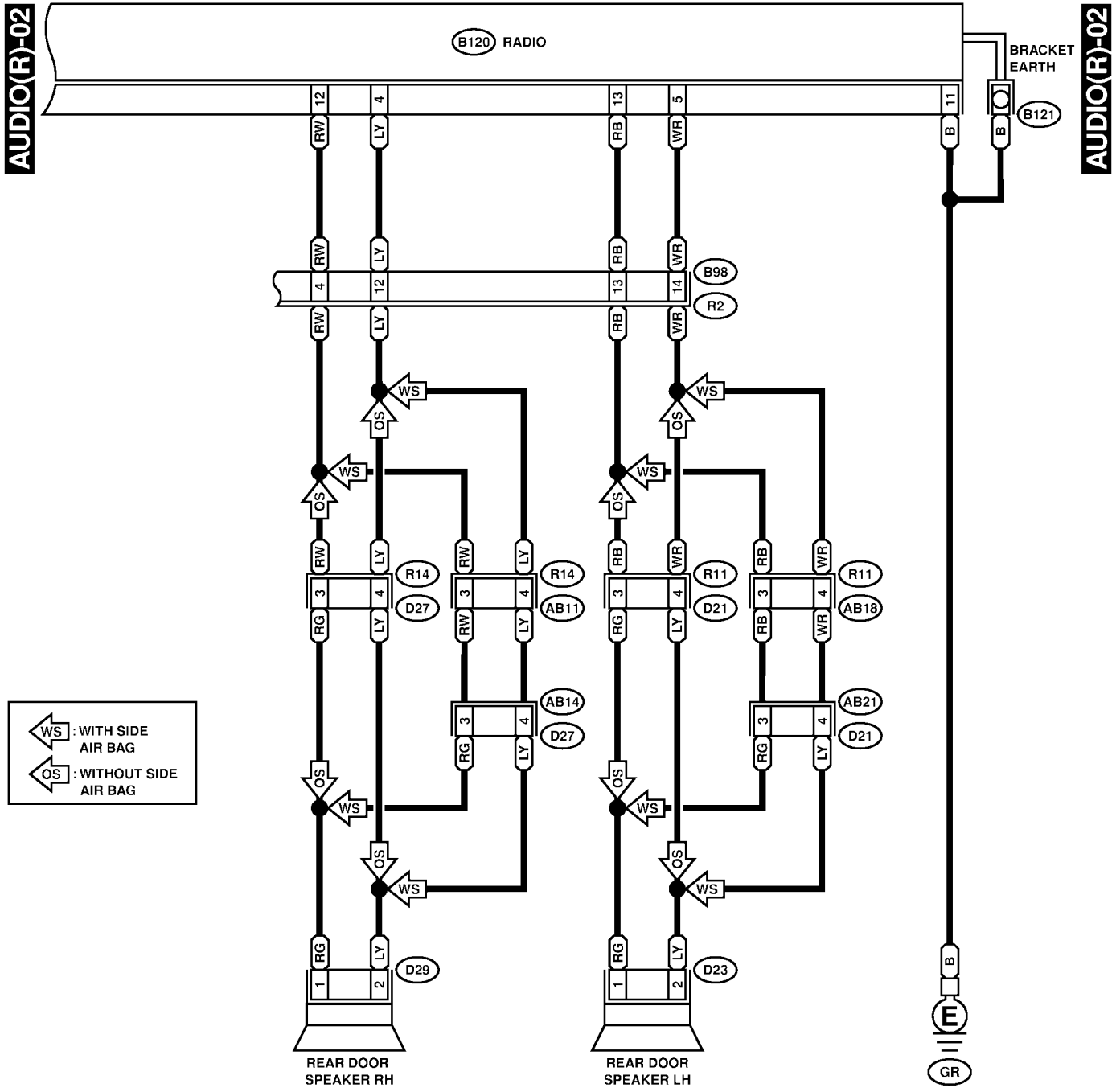
## 2. RHD MODEL S903486A2102



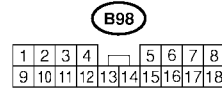


# AUDIO SYSTEM

Wiring System



: WITH SIDE AIR BAG  
 : WITHOUT SIDE AIR BAG



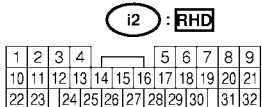
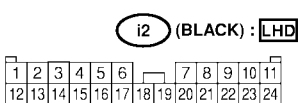
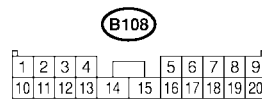
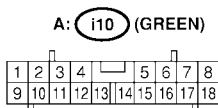
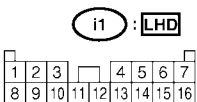
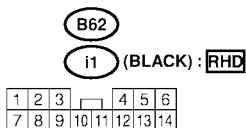
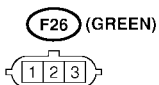
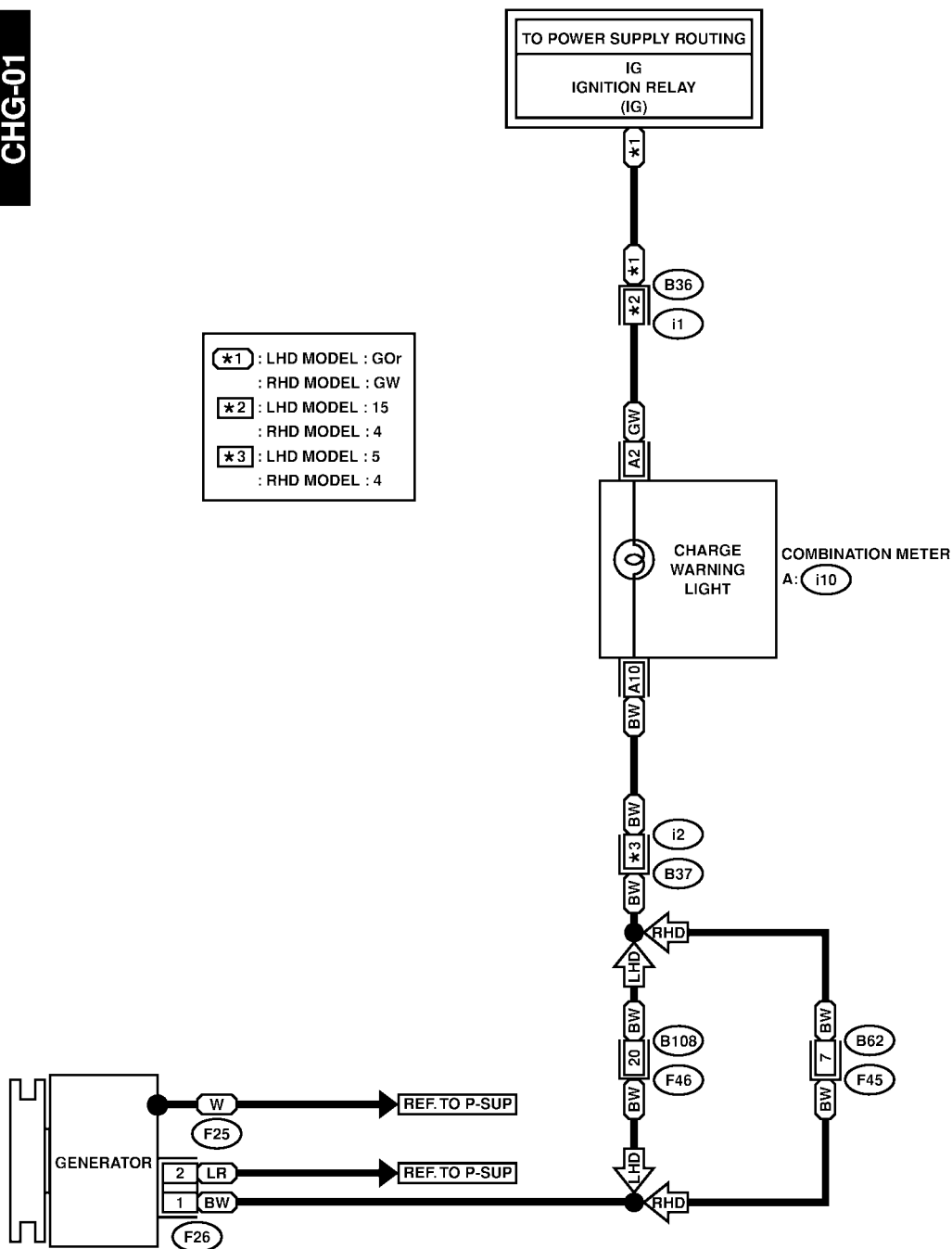


## 11. Charging System S903487

### A: SCHEMATIC S903487A21

CHG-01

CHG-01



# CLEARANCE LIGHT AND ILLUMINATION LIGHT SYSTEM

Wiring System

## 12. Clearance Light and Illumination Light System

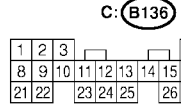
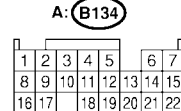
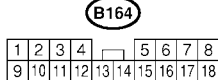
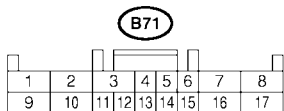
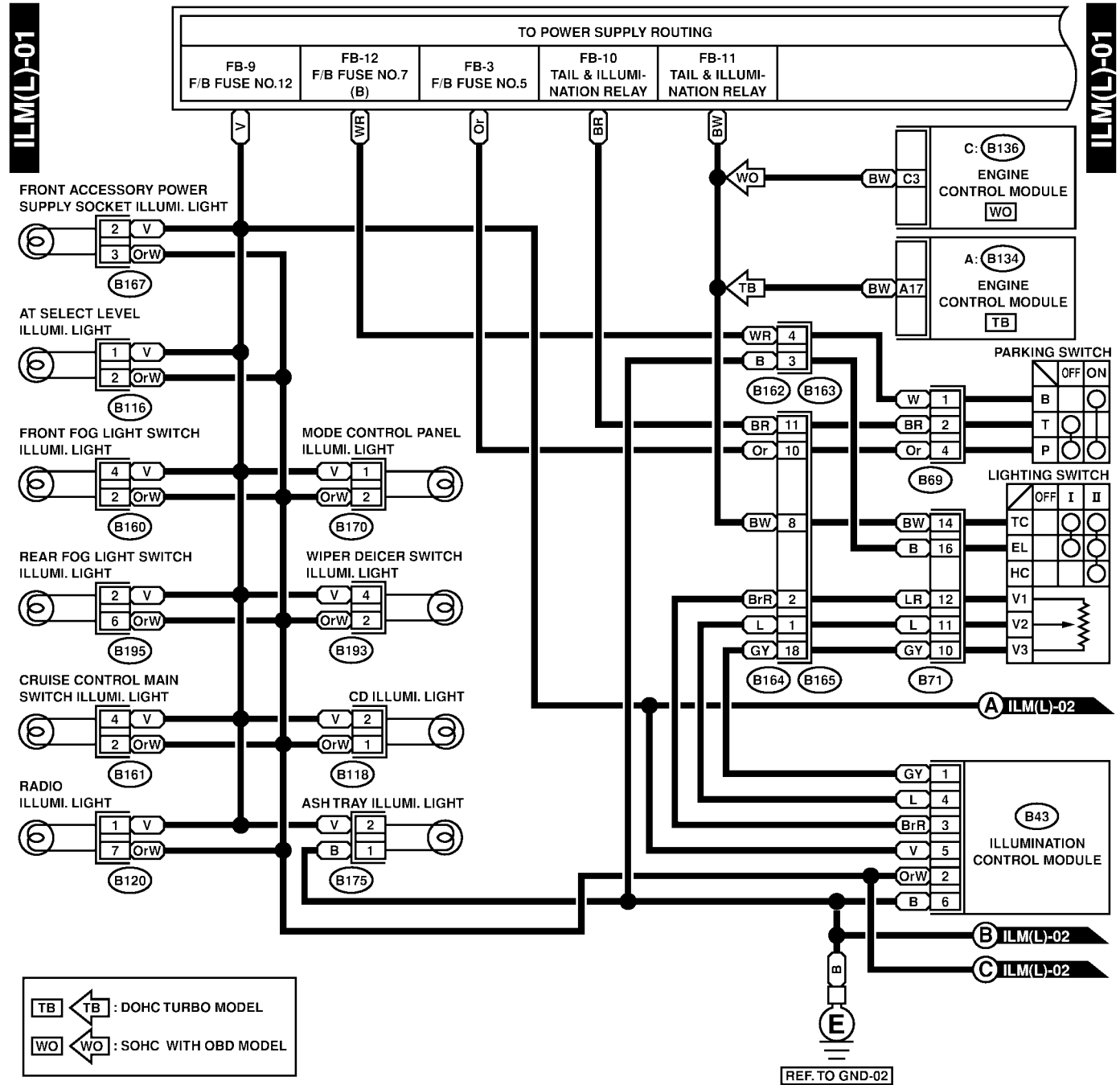
S903489

### A: SCHEMATIC

S903489A21

#### 1. LHD MODEL

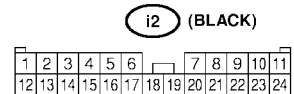
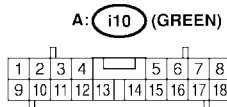
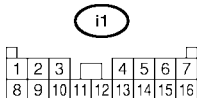
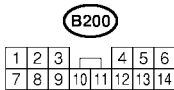
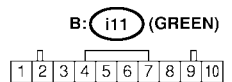
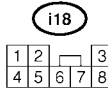
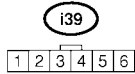
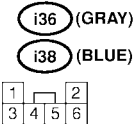
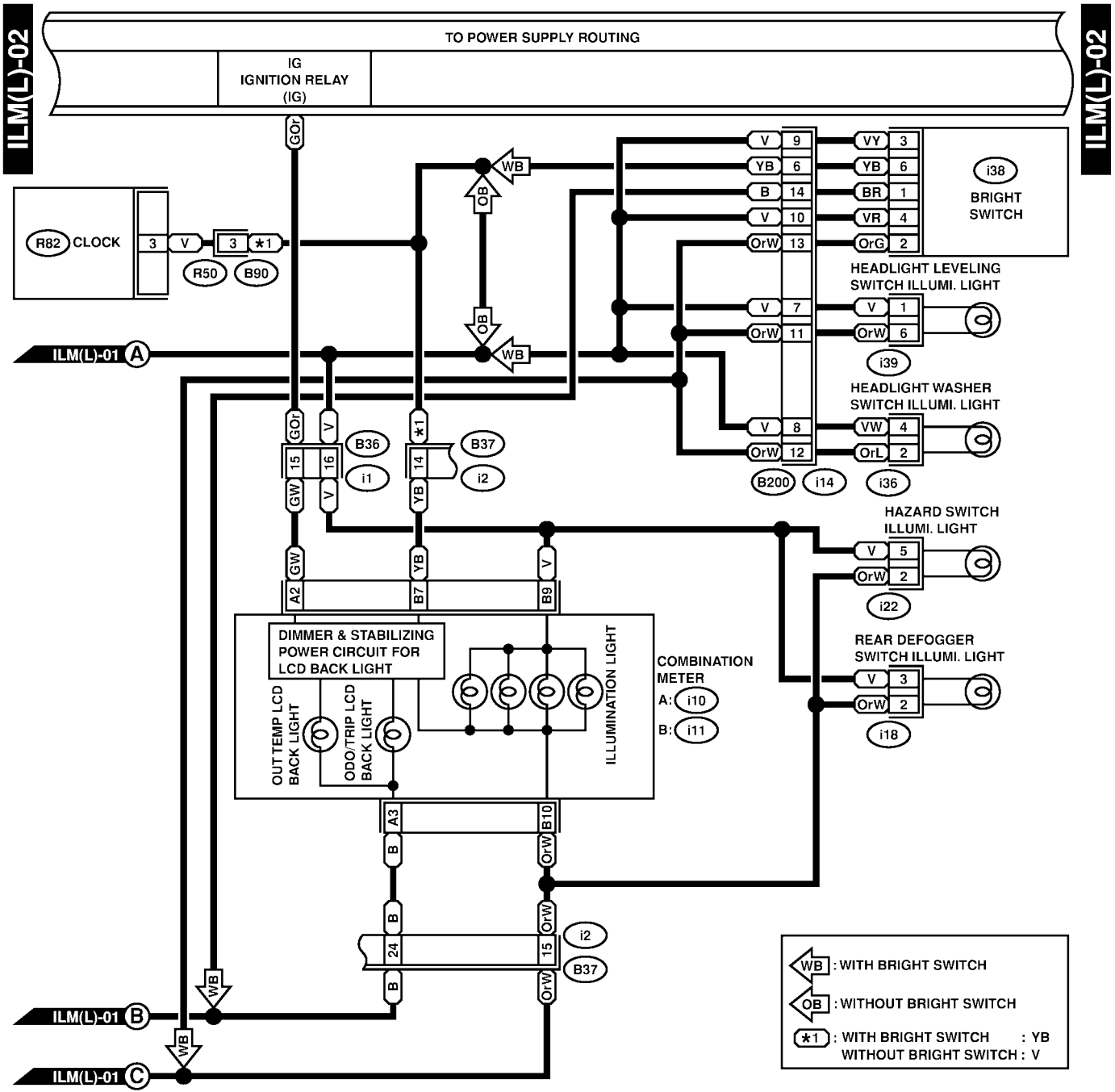
S903489A2101



SL21-20A

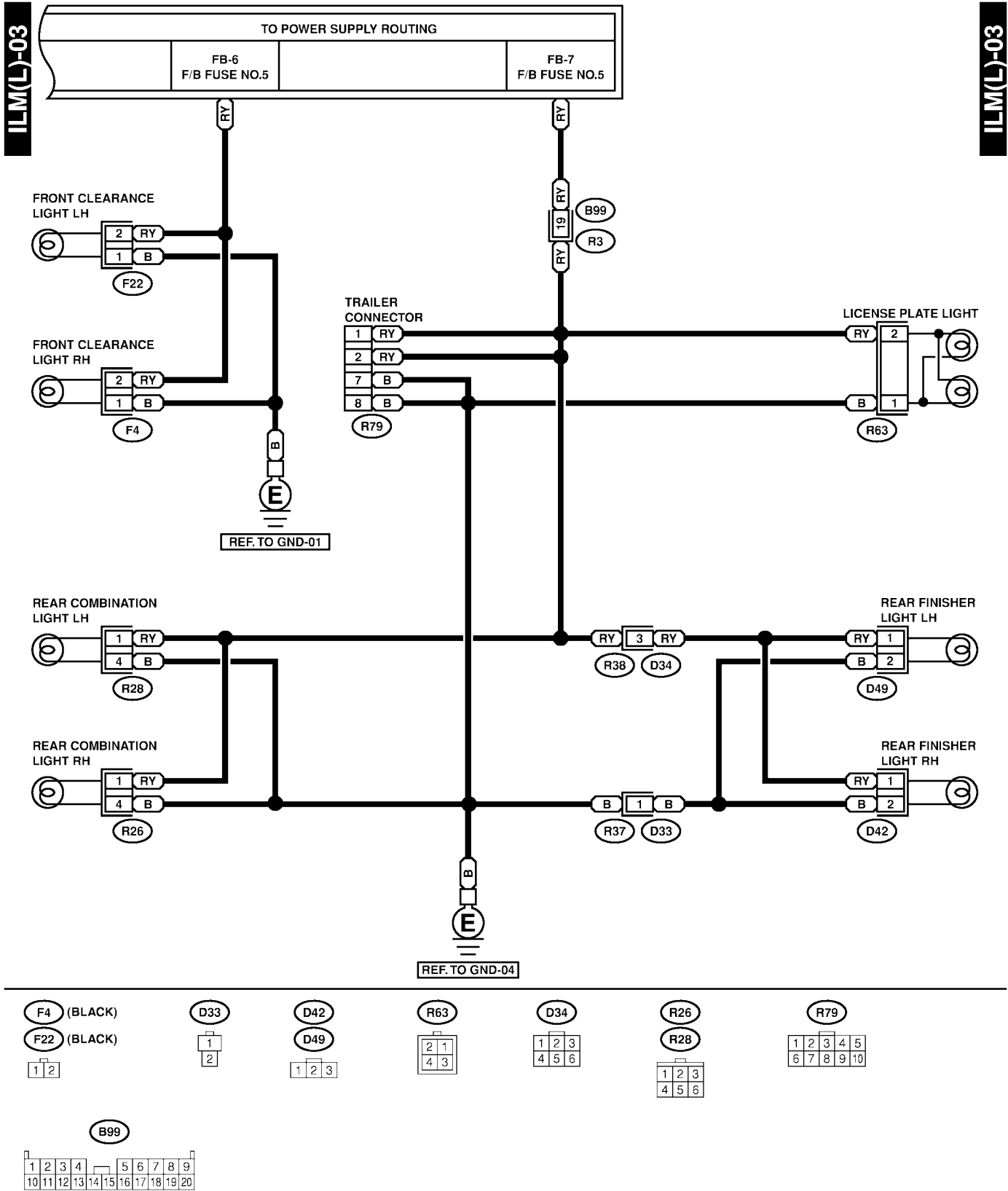
# CLEARANCE LIGHT AND ILLUMINATION LIGHT SYSTEM

Wiring System



# CLEARANCE LIGHT AND ILLUMINATION LIGHT SYSTEM

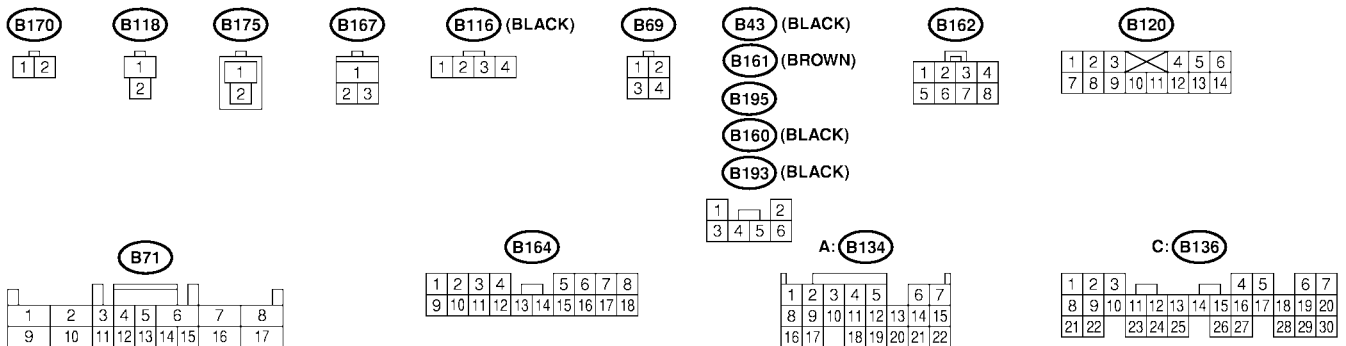
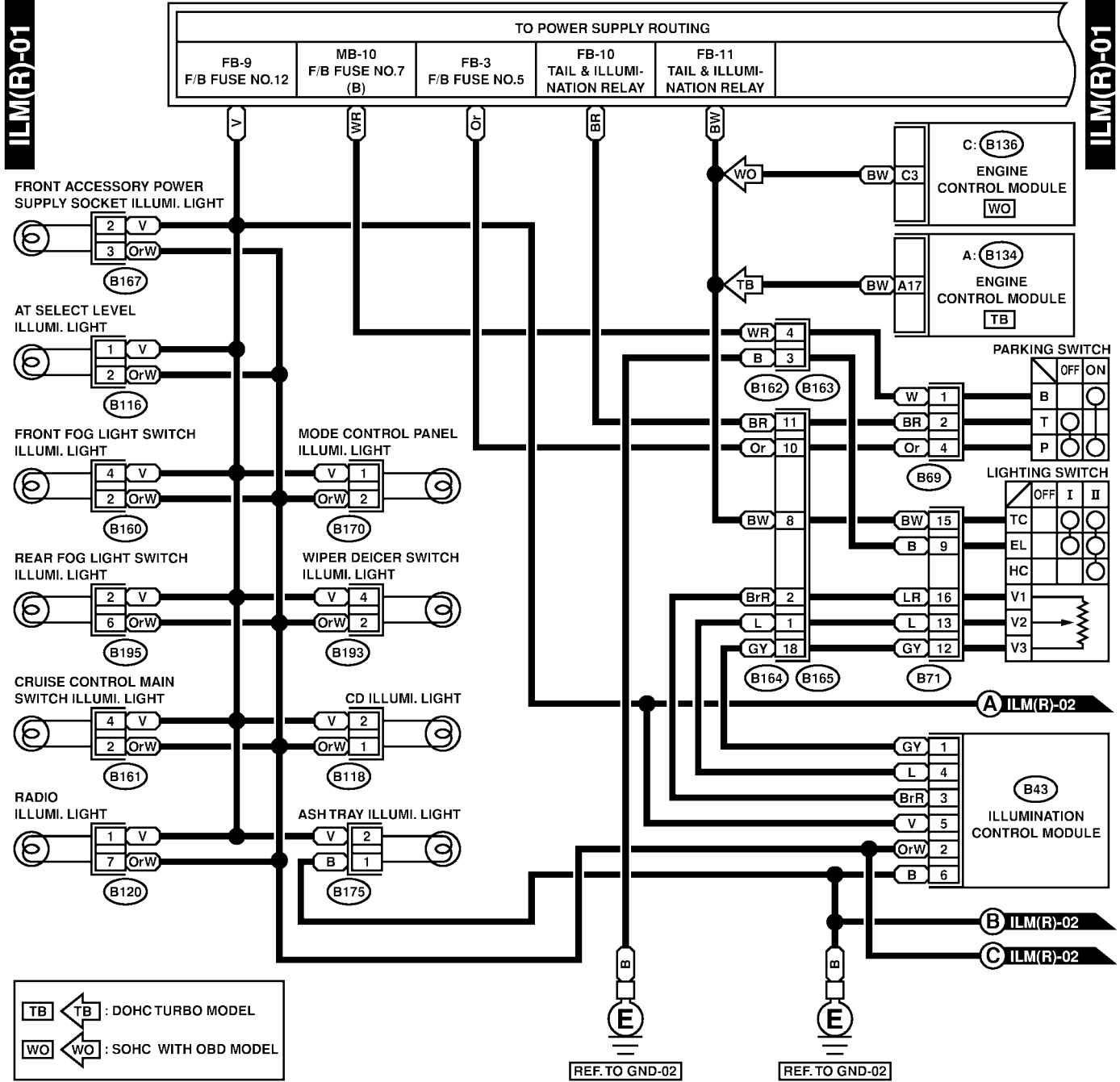
Wiring System



# CLEARANCE LIGHT AND ILLUMINATION LIGHT SYSTEM

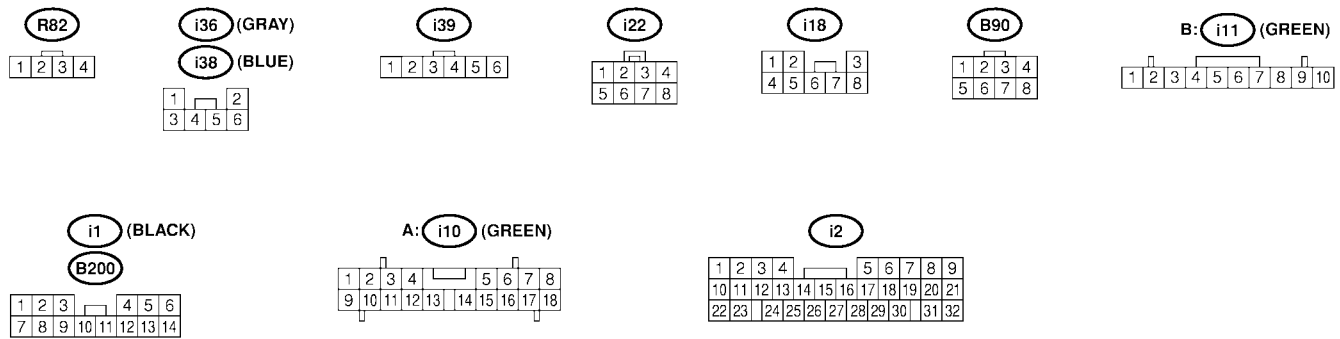
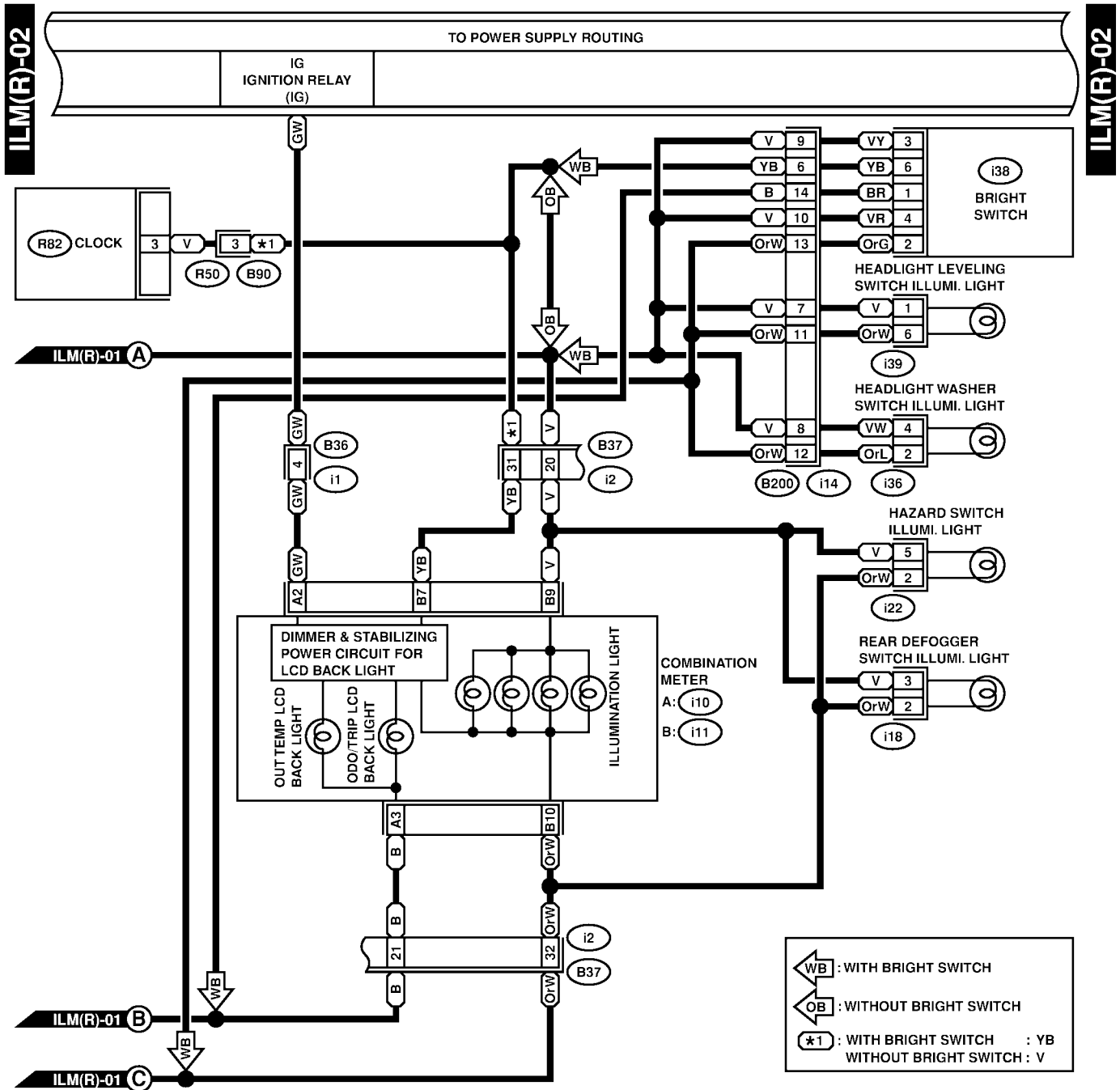
Wiring System

## 2. RHD MODEL S903489A2102



# CLEARANCE LIGHT AND ILLUMINATION LIGHT SYSTEM

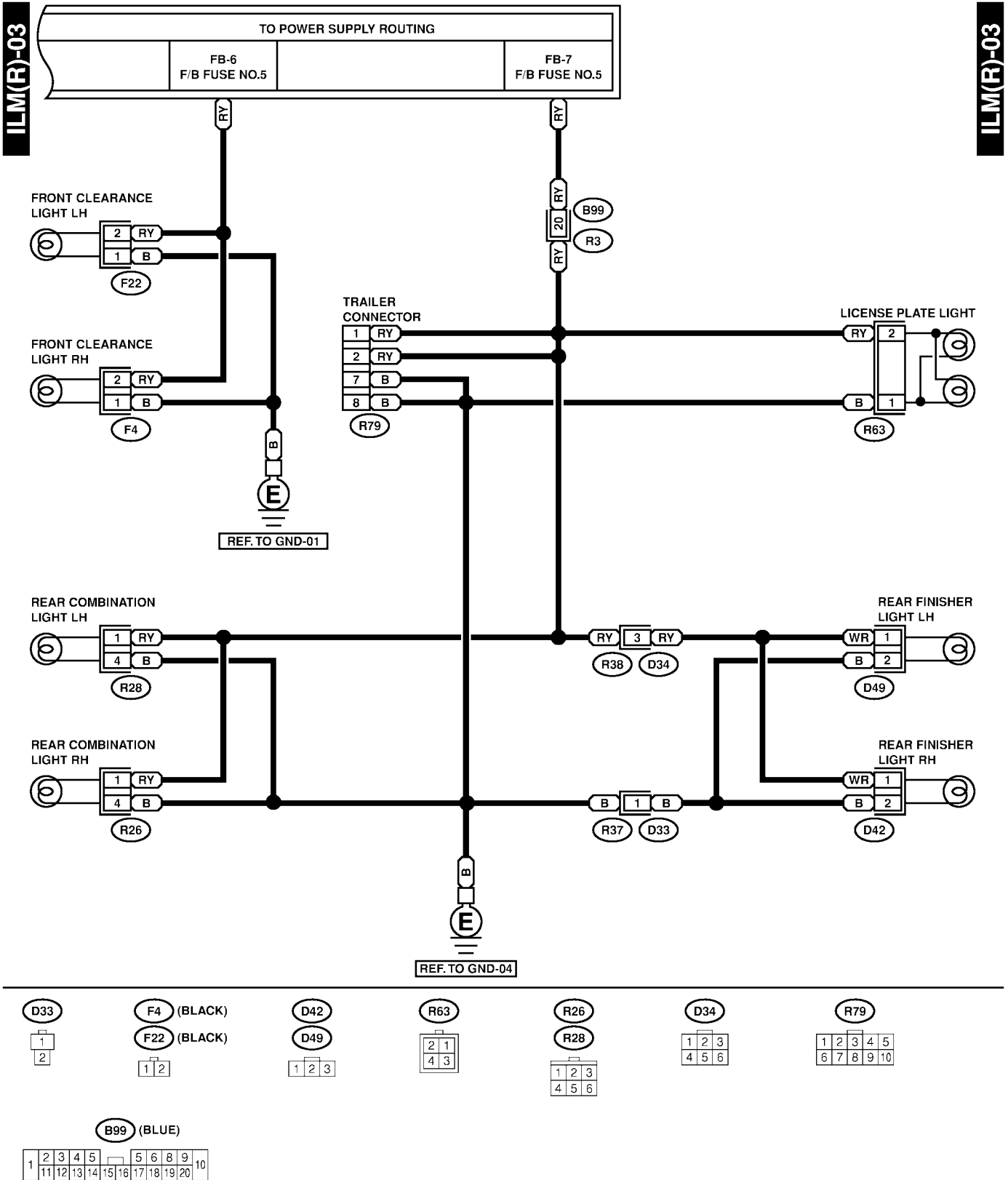
Wiring System





# CLEARANCE LIGHT AND ILLUMINATION LIGHT SYSTEM

Wiring System





# COMBINATION METER

Wiring System

---

MEMO:

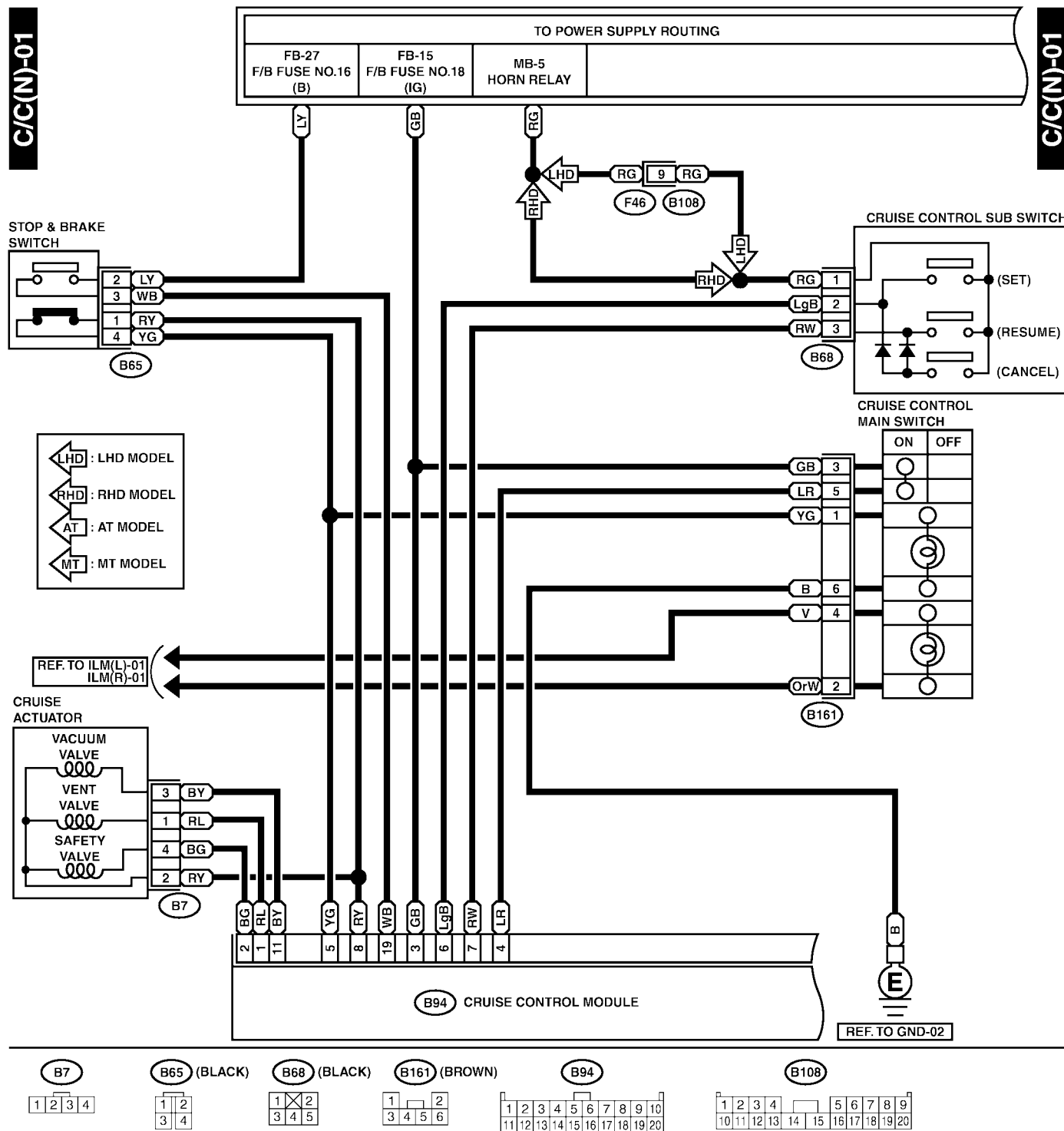
# CRUISE CONTROL SYSTEM

Wiring System

## 14. Cruise Control System S903495

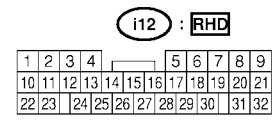
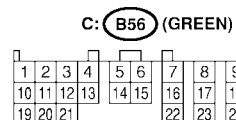
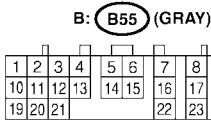
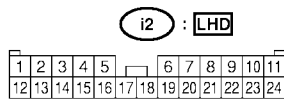
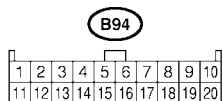
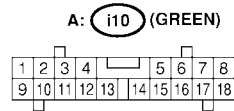
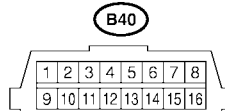
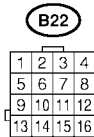
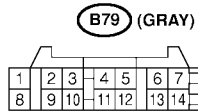
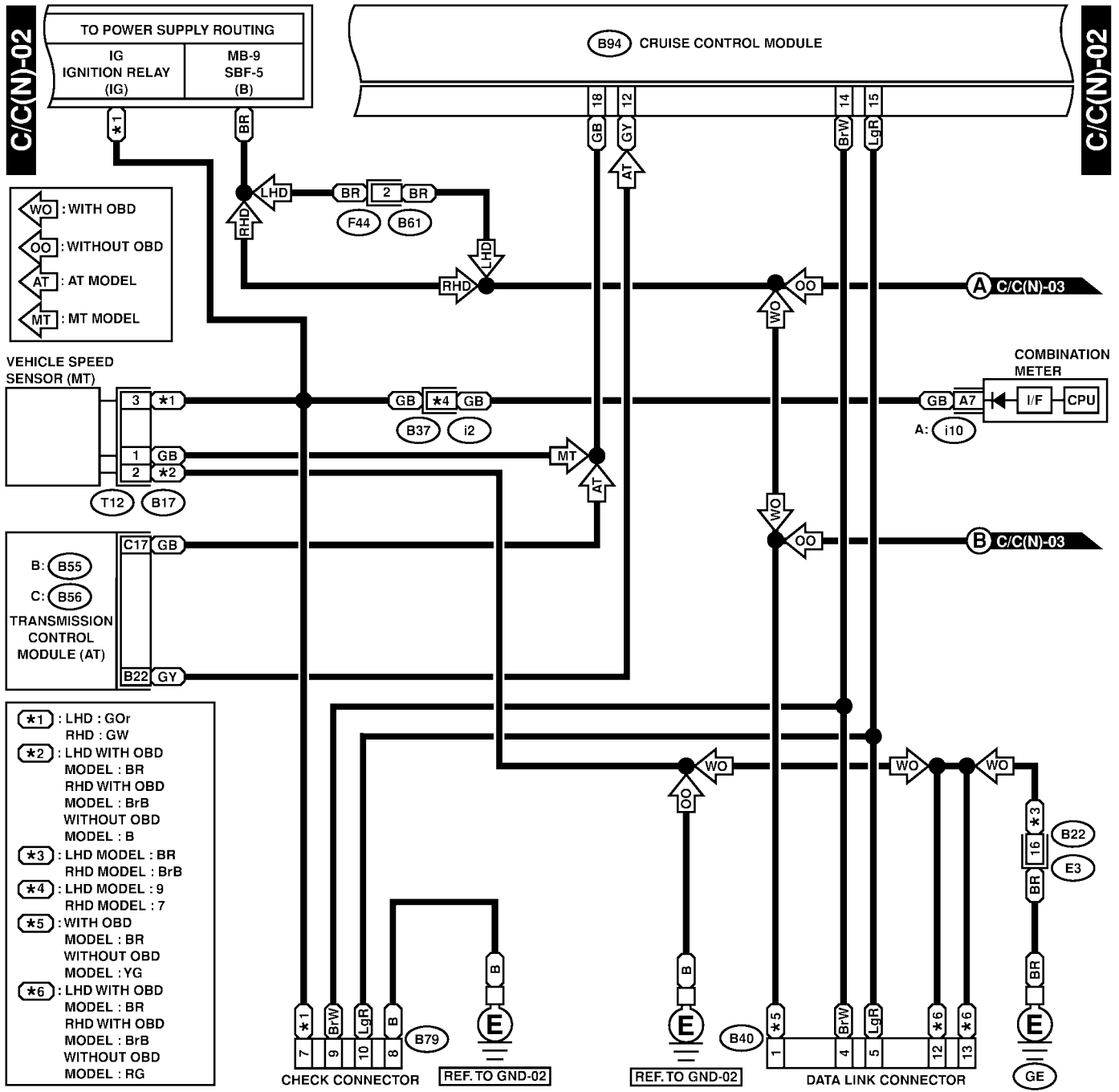
### A: SCHEMATIC S903495A21

#### 1. NON-TURBO MODEL S903495A2109



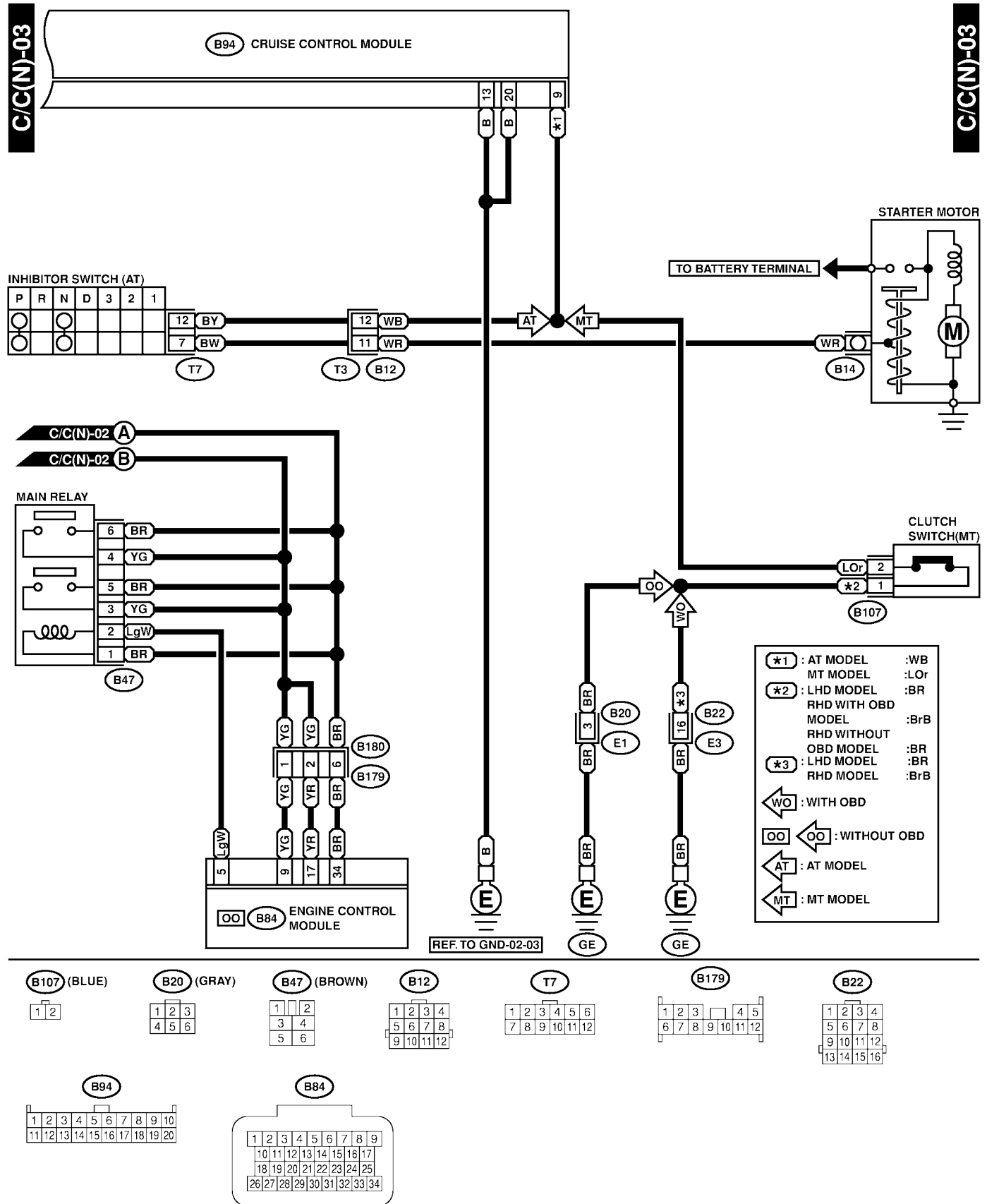
# CRUISE CONTROL SYSTEM

Wiring System



# CRUISE CONTROL SYSTEM

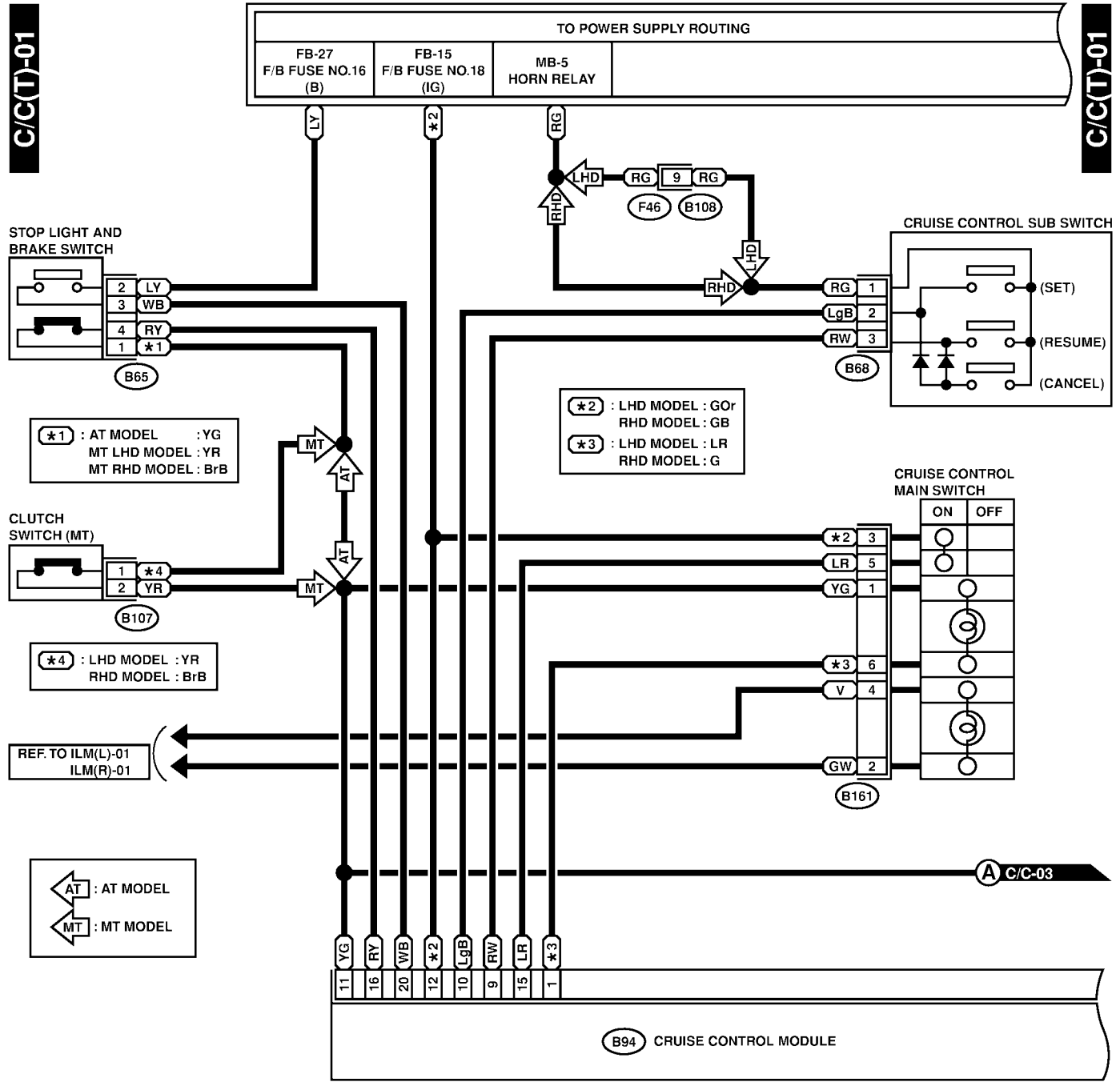
Wiring System



# CRUISE CONTROL SYSTEM

Wiring System

## 2. TURBO MODEL S903495A2110



B107 (BLUE)



B65 (BLACK)



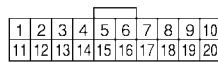
B68 (BLACK)



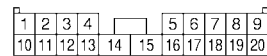
B161 (BROWN)



B94

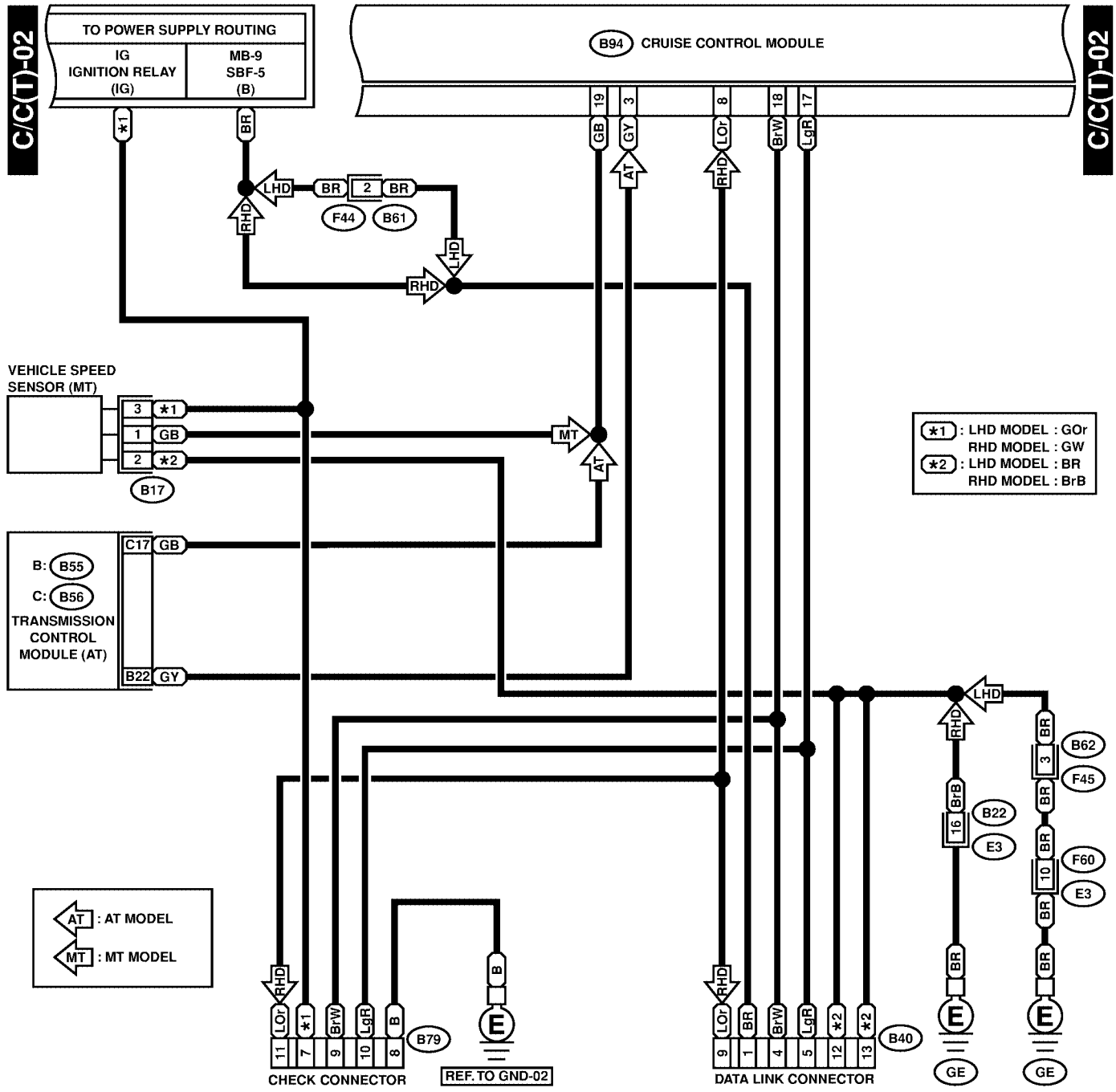


B108



# CRUISE CONTROL SYSTEM

Wiring System



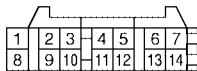
B17 (BLACK)



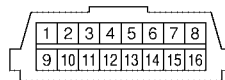
B61



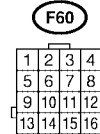
B79 (GRAY)



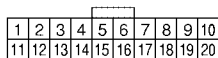
B40 (GRAY)



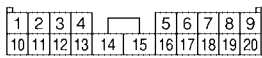
B22 (BROWN)



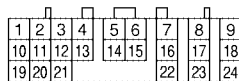
B94



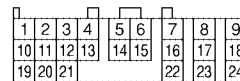
B62



B: B55 (GRAY)



C: B56 (GREEN)





# CRUISE CONTROL SYSTEM

Wiring System

