



# Forester

GENUINE PARTS

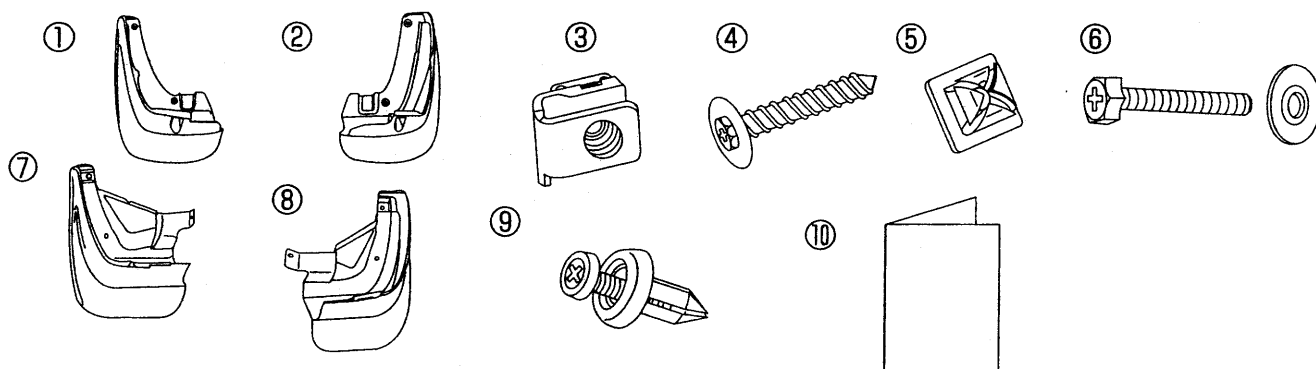
INSTALLATION INSTRUCTION

—SPLASH GUARD—

PART NUMBER : SPLASH GUARD SET J1010SA000 # #

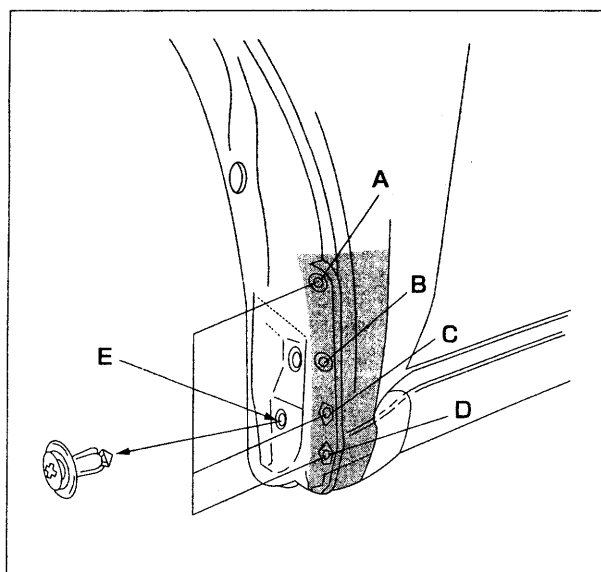
## Parts List

no.	part	Q'TY	no.	part	Q'TY
①	Splash guard F-LH	1	⑥	Bolt&Washer M5×20mm	6sets
②	Splash guard F-RH	1	⑦	Splash guard R-LH	1
③	"J" Nut	6	⑧	Splash guard R-RH	1
④	Tapping Screw M6 × 20mm	2	⑨	Screw Rivet	2
⑤	Plastic Nut	2	⑩	Installation Instruction	1

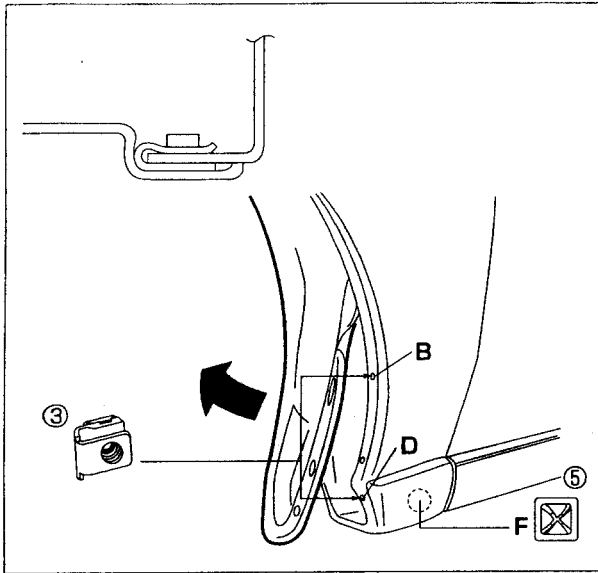


## Tool Required

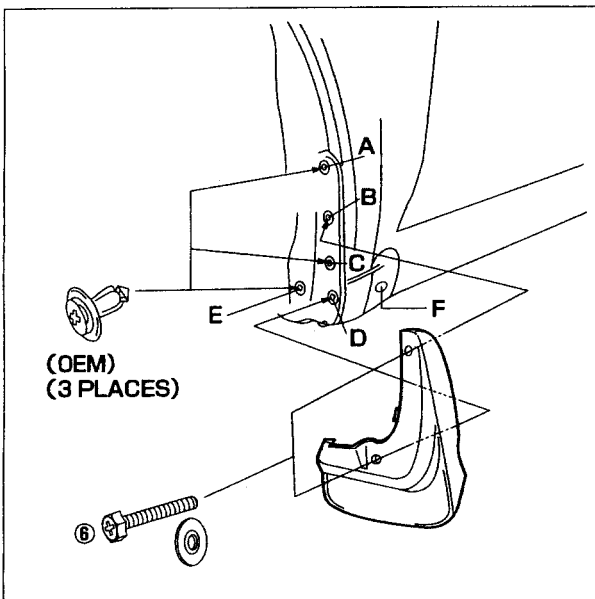
#2 Screwdriver (-) &amp; #2 Phillips Screwdriver (+)

**Attachment of the front splash guard**

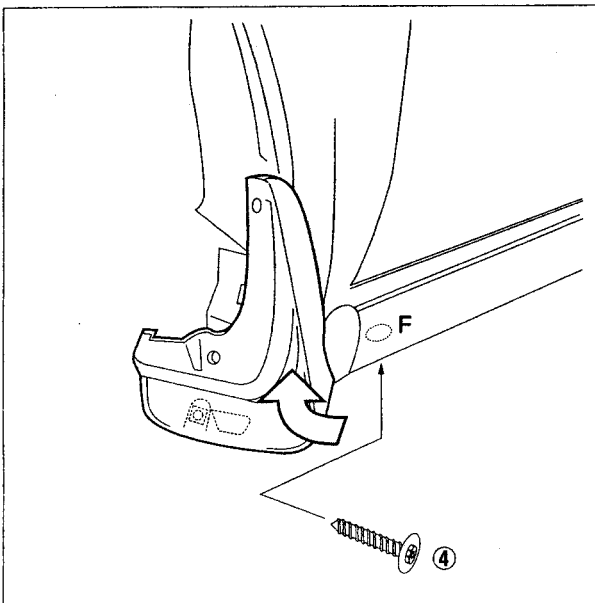
1. Remove all dust, dirt, road salt, etc.
2. Remove existing fasteners from point A, B, C, D and E using the Phillips screwdriver (Save 3 of 5 fasteners for splash guard installation).



3. Pull fender liner away from sheet metal to expose J nut mounting locations.
4. Slide front plastic J nut (item ③) into points B and D with hexagonal head away from mating surface.
5. Insert the plastic nut (item ⑤) into pre-arranged hole F. (up from bottom of the vehicle).



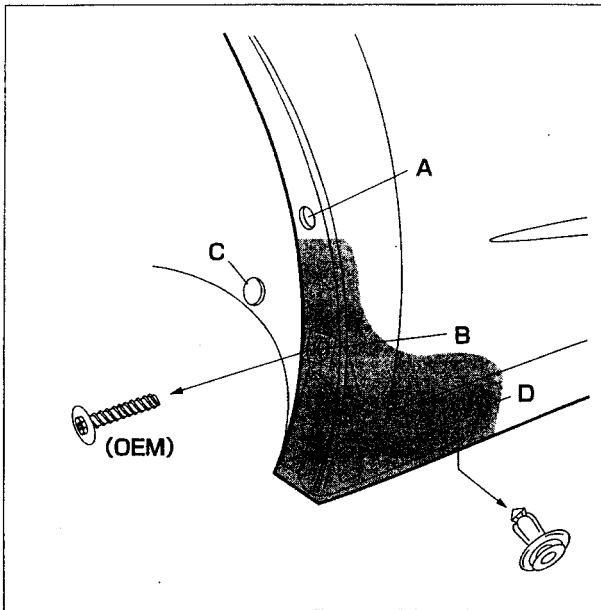
6. Re-install the OEM fastener at locations A, C, E (3 places).
7. Insure that the inner surface of the splash guard is free of any debris. align the splash guard holes with holes B, D, and F as shown.
8. While holding the splash guard in place hand start the bolts with washers (item ⑥) into holes B and D.



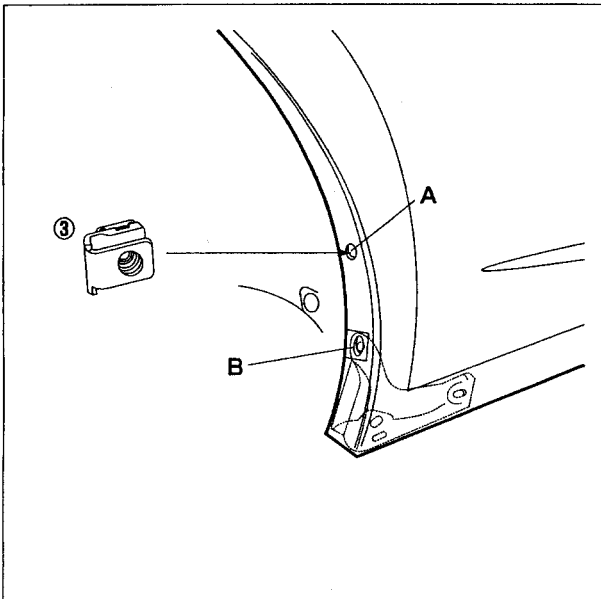
9. Insert screw (item ④) into hole F and tighten.
10. While pressing the splash guard against the vehicle body (pushing up) tighten screw D (while pushing in) tighten screw B.  
NOTE: screw to be tightened to  $4 \pm 0.7 \text{ N} \cdot \text{m}$  ( $3 \pm 0.5 \text{ ft} \cdot \text{lb}$ ).
11. Follow the same installation procedure for the remaining front splash guard.
12. Wipe the part clean and ensure that all fasteners are tight and that there is no gapping between the splash guards

## Attachment of the rear splash guard

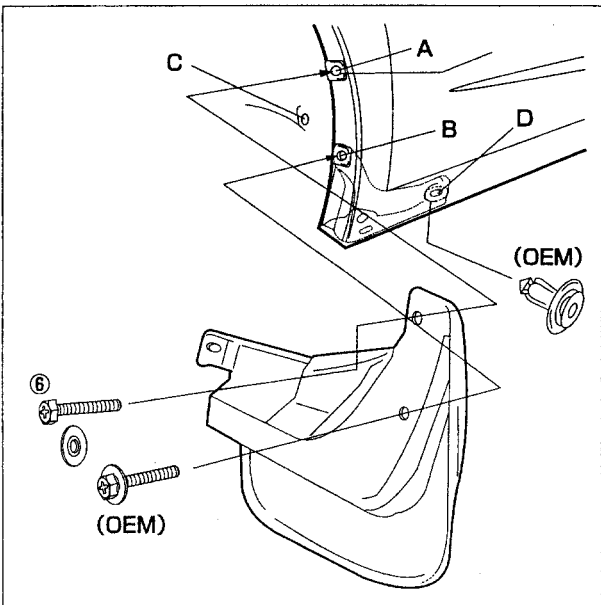
1. Remove all dust, dirt, road salt, etc.
2. Remove existing fasteners from point B, and D, using the Phillips screwdriver (save fasteners B & D for splash guard installation).

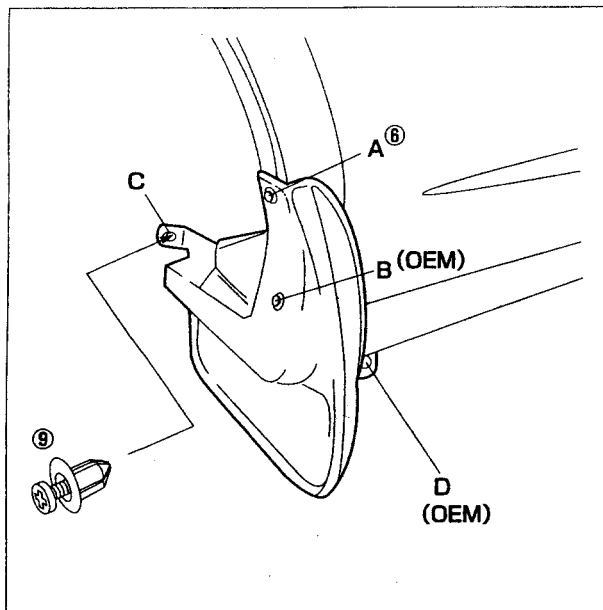


3. Slide rear plastic J nut (item ③) into point A with hexagonal head away from mating surface.



4. Insure that the inner surface of the splash guard is free of any debris. align the splash guard holes with holes A, B, and C as shown.
5. While holding the splash guard in place hand start the bolt with washers (item ⑥) into hole A and OEM bolt into hole B.





6. Install the plastic push pin (item ⑨) at C and press firmly on the push pin until fully flush and engaged.  
Re-install fastener at location D.
7. While pressing the splash guard against the vehicle body (pushing up) tighten screw B (while pushing in) tighten screw A.  
NOTE: screw to be tightened to  $4 \pm 0.7 \text{ N} \cdot \text{m}$  ( $3 \pm 0.5 \text{ ft} \cdot \text{lb}$ ).
8. Follow the same installation procedure for the remaining rear splash guard.
9. Wipe the part clean and ensure that all fasteners are tight and that there is no gapping between the splash guards and the vehicle.