

IDENTIFICATION

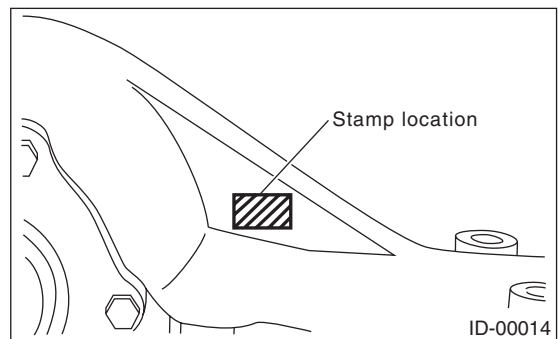
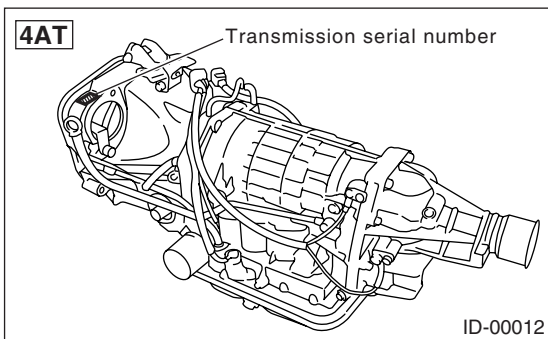
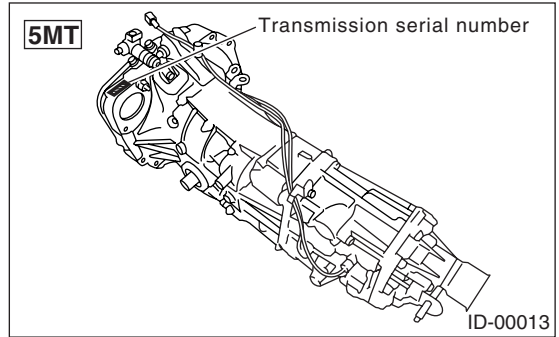
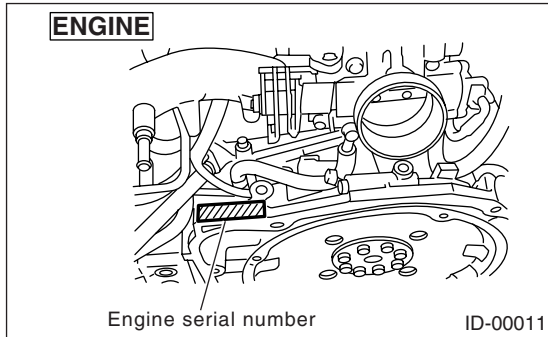
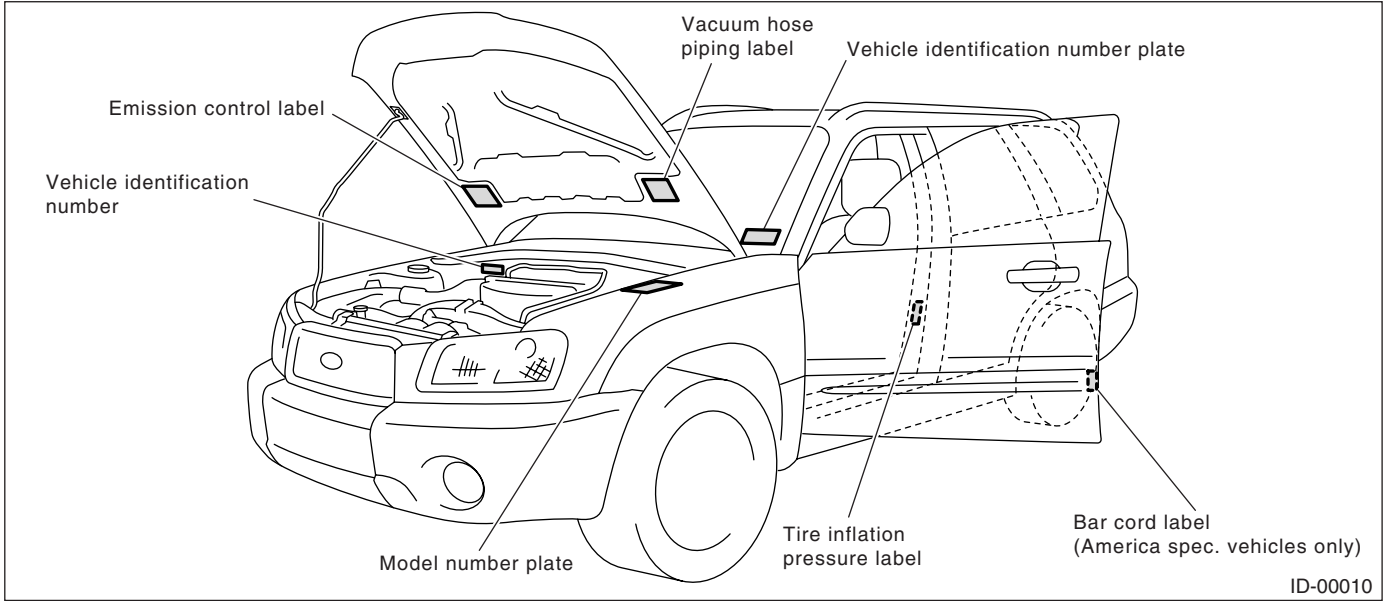
IDENTIFICATION

1. Identification

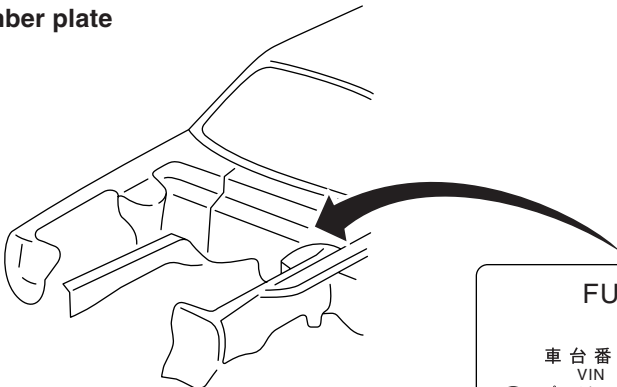
A: IDENTIFICATION

1. IDENTIFICATION NUMBER AND LABEL LOCATIONS

The VIN (Vehicle Identification Numbers) is used to classify the vehicle.
Positioning of the plate label for identification



Model number plate



FUJI HEAVY INDUSTRIES LTD.


型 式

車台番号 VIN **JF1SG635X3G700001**

○アプライトモデル applied model **SG9AY7J** オプションコード option code **E0** ○

トリムコード trim code **410** エンジン型式 engine type **EJ251BWUAA**

外装飾コード Color code **230** ミッション型式 transmission type **TY755VC3AA**

 富士重工業株式会社

ID-00006

2. MEANING OF V.I.N.

The meaning of the VIN is as follows:

JF1SG636X4G700001

The starting and ending brackets ([]) are stop marks.

Digits	Code	Meaning	Details
1 to 3	JF1	Manufacturer body area	JF1: Passenger car, FHI made
4	S	Car line	S: Forester
5	G	Body type	G: Wagon
6	6	Displacement	6: 2.5L AWD
7	3	Grade	3: 2.5X 5: 2.5XS 9: 2.5XT
8	6	Restraint	6: Manual belts, dual airbag, side airbag
9	X	Check digit	X or 0 — 9
10	4	Model year	4: 2004MY 5: 2005MY 6: 2006MY
11	G	Transmission type	G: Full-time AWD 5-speed MT H: Full-time AWD 4-speed AT
12 to 17	700001	Serial number	—

IDENTIFICATION

IDENTIFICATION

3. MODEL NUMBER PLATE

The model number plate indicates: the applied model, the option code, the trim code, the engine type, the transmission type, and the exterior color code. This information is helpful when placing orders for parts.

SG9BY7J

Digits	Code	Meaning	Details
1	S	Series	S: Forester
2	G	Body type	G: Wagon
3	9	Engine displacement Drive system Suspension system	9: 2.5L AWD
4	B	Model year	B: 2004MY
5	Y	Destination	Y: U.S.A., Canada
6	7	Grade	7: 2.5X 8: 2.5XS B: 2.5XT
7	J	Transmission, fuel feed system	J: SOHC MFI 5-speed MT R: SOHC MFI 4-speed AT D: DOHC Turbo MFI 5-speed MT P: DOHC Turbo MFI 4-speed AT

The engine and transmission type are as follows:

• Engine

EJ251BWTAA

Digits	Code	Meaning	Details
1 and 2	EJ	Engine type	EJ: 4 cylinders
3 and 4	25	Displacement	25: 2.5L
5	1	Fuel feed system	1: D-MFI SOHC-A 5: MFI DOHC Turbo
6	B	Exhaust regulations	B: US Federal & California
7	W	Transmission	W: MT X: AT
8 to 10	TAA	Detailed specifications	Used when ordering parts. See the parts catalog for details.

• Transmission

TY755VC4AA

Digits	Code	Meaning	Details
1	T	Transmission	T: Transmission
2	Y	Transmission type	Y: Full-time AWD MT center differential Z: Full-time AWD AT MPT
3 and 4	75	Classification	75: MT 1A: AT 1B: AT (Turbo)
5	5	Series	3: AT 5: MT, AT (Turbo)
6	V	Transmission specifications	V: Full-time AWD 5-speed MT with viscous coupling center differential single range Z: Full-time AWD 4-speed AT with MPT L: Full-time AWD 4-speed AT with MPT (Turbo)
7	C	Mounted body	C: US 2.5L SOHC H: 2.5L DOHC Turbo
8 to 10	4AA	Detailed specifications	Used when ordering parts. See the parts catalog for details.

IDENTIFICATION

IDENTIFICATION

• Rear differential

T2

Code	Reduction gear ratio	LSD
T2	4.111	No
JP	4.111	Viscous
TP	4.444	No
CF	4.444	Viscous

• Option code

U4QW

Digits	Code	Meaning	Details
1 to 2	U4	Destination	U4: U.S.A. CO: Canada
3 to 4	QW	Main option of vehicle	—

IDENTIFICATION

IDENTIFICATION
