

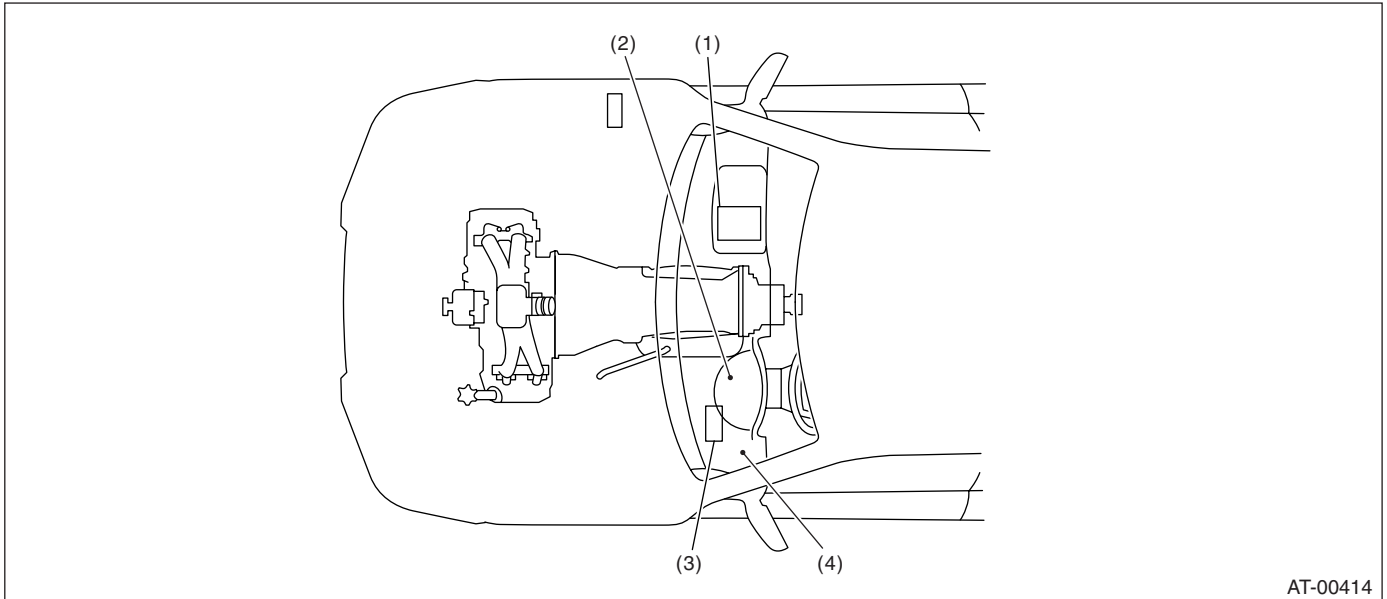
ELECTRICAL COMPONENTS LOCATION

AUTOMATIC TRANSMISSION (DIAGNOSTICS)

4. Electrical Components Location

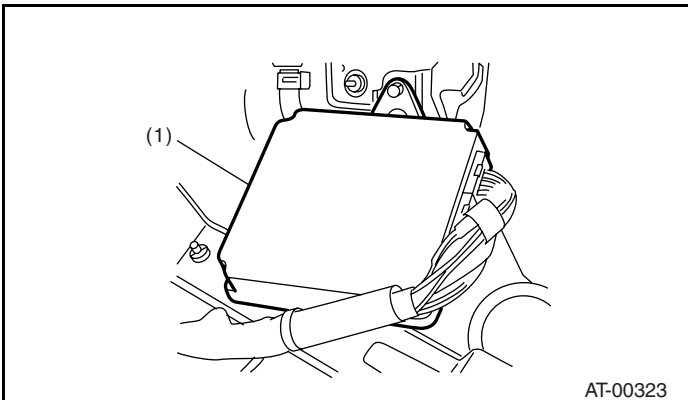
A: LOCATION

1. CONTROL MODULE

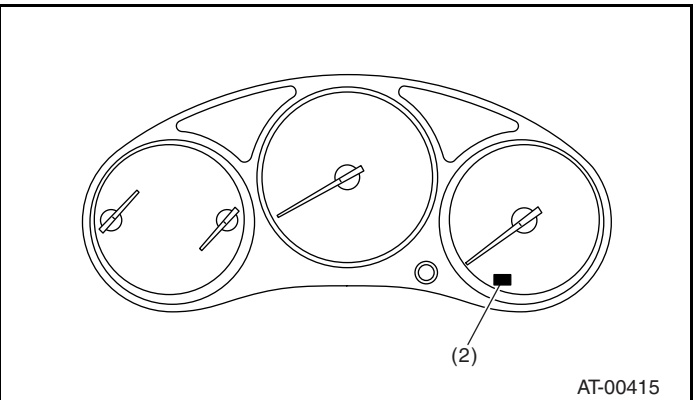


AT-00414

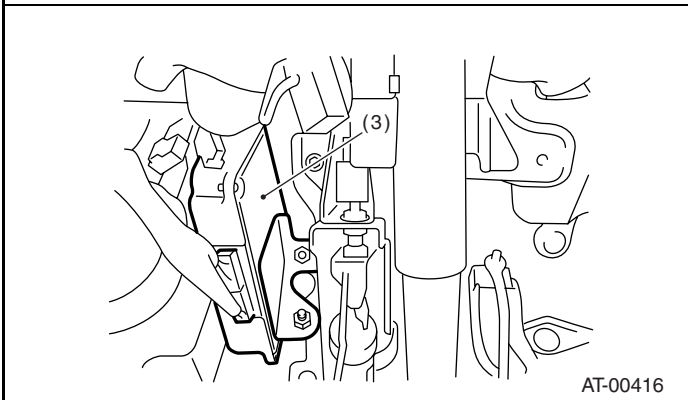
- | | |
|---|---------------------------------------|
| (1) Engine control module (ECM) | (3) Transmission control module (TCM) |
| (2) AT OIL TEMP warning light (AT diagnostic indicator light) | (4) Data link connector |



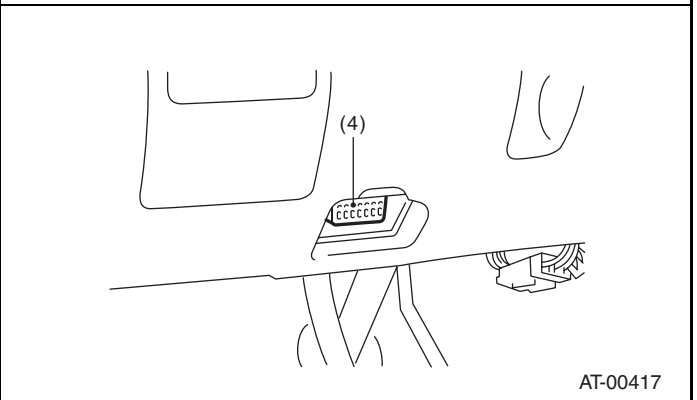
AT-00323



AT-00415



AT-00416

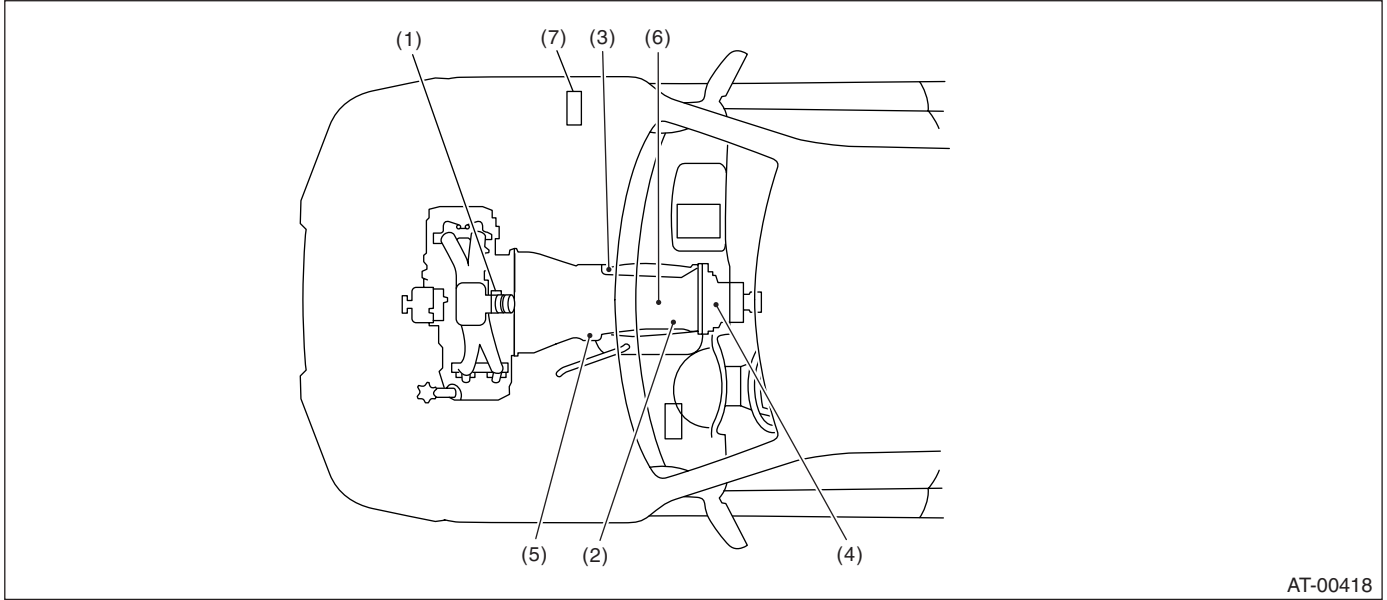


AT-00417

ELECTRICAL COMPONENTS LOCATION

AUTOMATIC TRANSMISSION (DIAGNOSTICS)

2. SENSOR

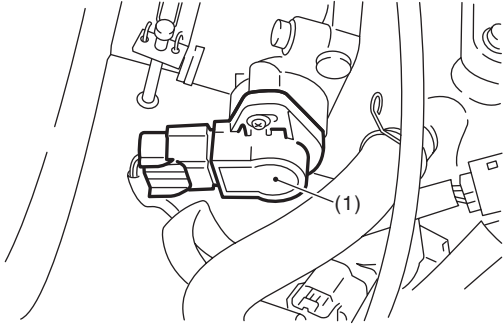


AT-00418

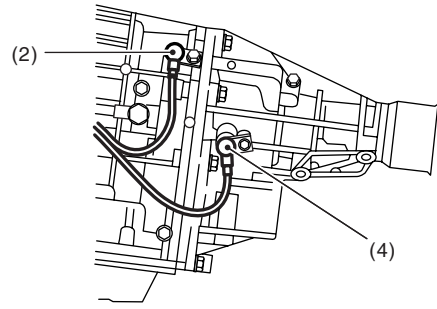
- | | | |
|--------------------------------|---|----------------------------|
| (1) Throttle position sensor | (4) Rear vehicle speed sensor | (6) ATF temperature sensor |
| (2) Front vehicle speed sensor | (5) Torque converter turbine speed sensor | (7) Dropping resistor |
| (3) Inhibitor switch | | |

ELECTRICAL COMPONENTS LOCATION

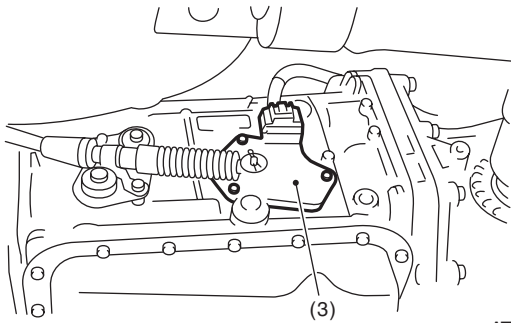
AUTOMATIC TRANSMISSION (DIAGNOSTICS)



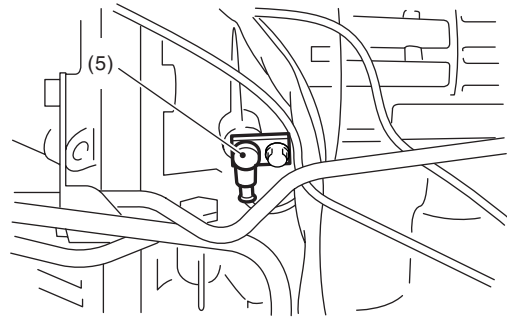
AT-00328



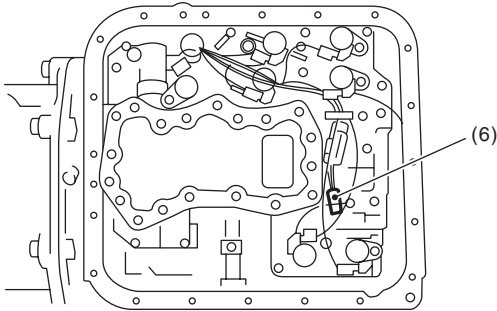
AT-00329



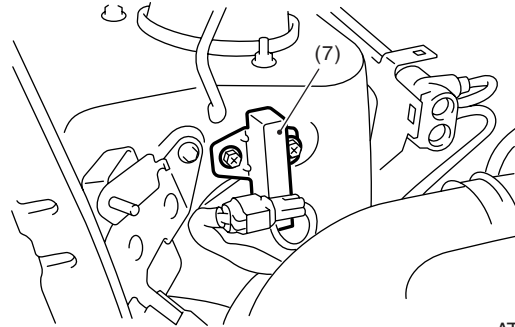
AT-00330



AT-00331



AT-00332

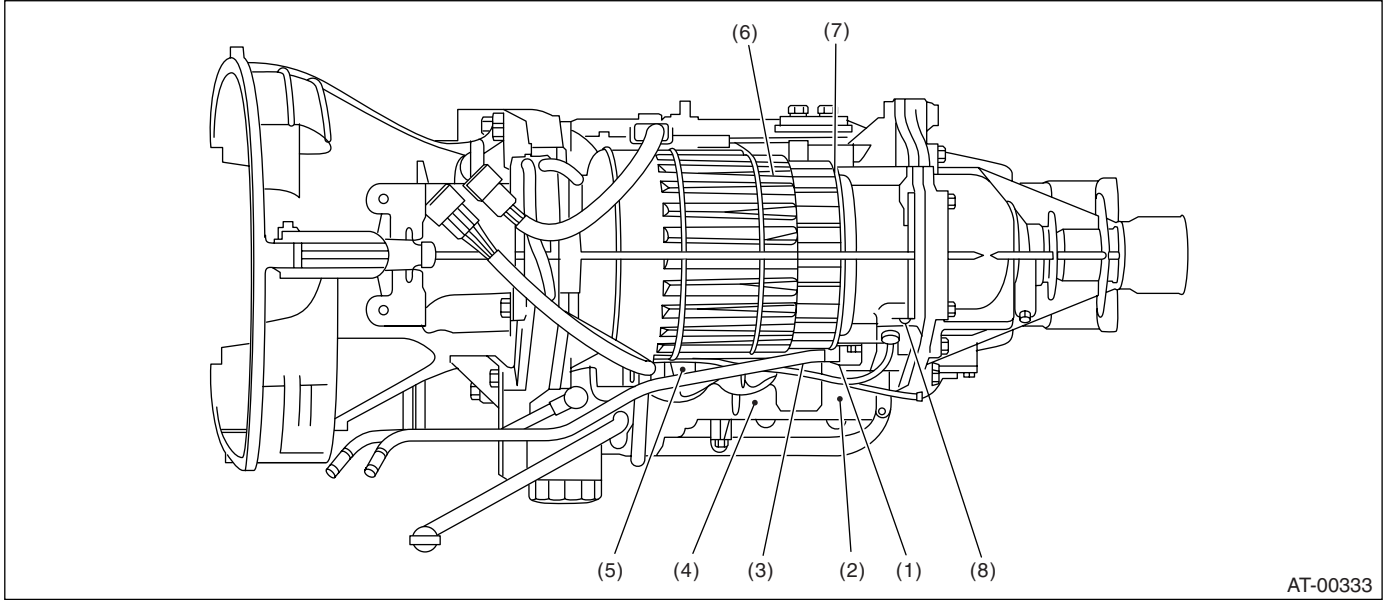


AT-00419

ELECTRICAL COMPONENTS LOCATION

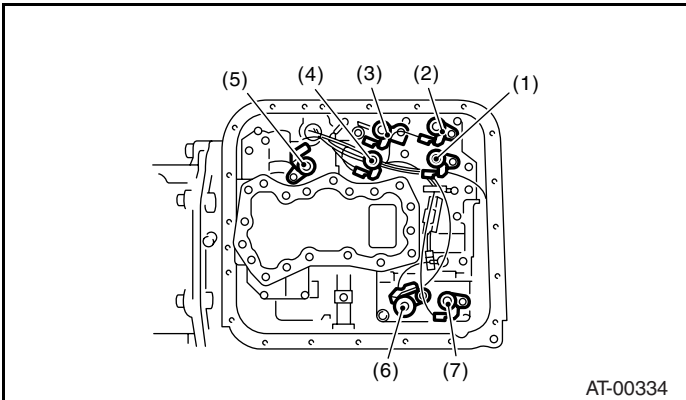
AUTOMATIC TRANSMISSION (DIAGNOSTICS)

3. SOLENOID

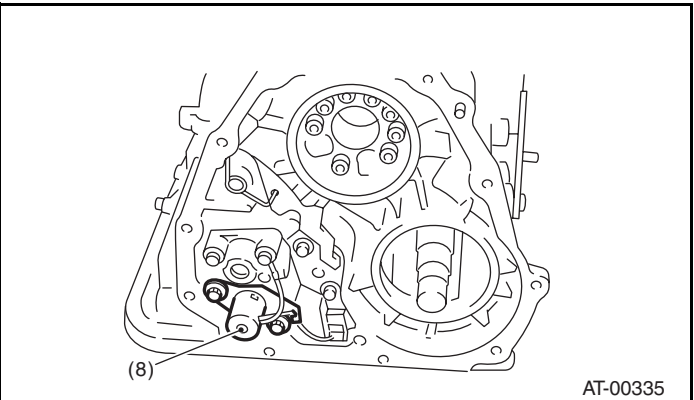


AT-00333

- | | | |
|---------------------------------|--------------------------------|-------------------------------|
| (1) Solenoid 1 | (4) Low clutch timing solenoid | (7) 2-4 brake timing solenoid |
| (2) Solenoid 2 | (5) Lock-up duty solenoid | (8) Transfer duty solenoid |
| (3) Line pressure duty solenoid | (6) 2-4 brake duty solenoid | |



AT-00334



AT-00335