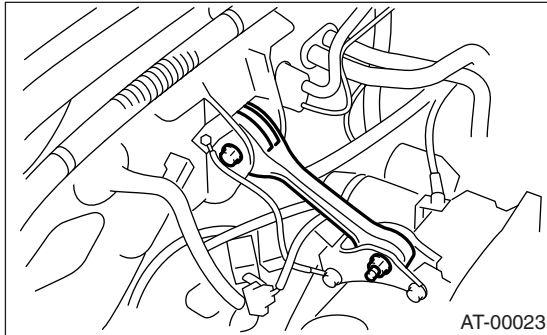


10. Transmission Mounting System

A: REMOVAL

1. PITCHING STOPPER

- 1) Disconnect the ground cable from battery.
- 2) Remove the air cleaner case. (Non-turbo model)
<Ref. to IN(H4SO)-6, REMOVAL, Air Cleaner Case.>
- 3) Remove the intercooler. (Turbo model)
<Ref. to IN(H4DOTC)-10, REMOVAL, Intercooler.>
- 4) Remove the pitching stopper.



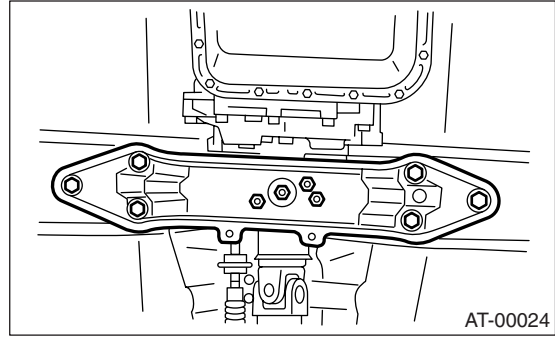
2. TRANSMISSION REAR CROSSMEMBER AND REAR CUSHION RUBBER

- 1) Disconnect the ground cable from battery.
- 2) Jack-up the vehicle and support it with sturdy racks.
- 3) Remove the front, center, rear exhaust pipes and muffler. (Non-turbo model)
<Ref. to EX(H4SO)-4, REMOVAL, Front Exhaust Pipe.> <Ref. to EX(H4SO)-8, REMOVAL, Rear Exhaust Pipe.> <Ref. to EX(H4SO)-9, REMOVAL, Muffler.>
- 4) Remove center and rear exhaust pipes, and muffler. (Turbo model)
<Ref. to EX(H4DOTC)-8, REMOVAL, Center Exhaust Pipe.> <Ref. to EX(H4DOTC)-13, REMOVAL, Rear Exhaust Pipe.> <Ref. to EX(H4DOTC)-15, REMOVAL, Muffler.>
- 5) Remove the heat shield cover. (If equipped)
- 6) Set the transmission jack under the transmission.

NOTE:

Make sure that the support plates of transmission jack don't touch the oil pan.

- 7) Remove the transmission rear crossmember.



- 8) Remove the rear cushion rubber.

B: INSTALLATION

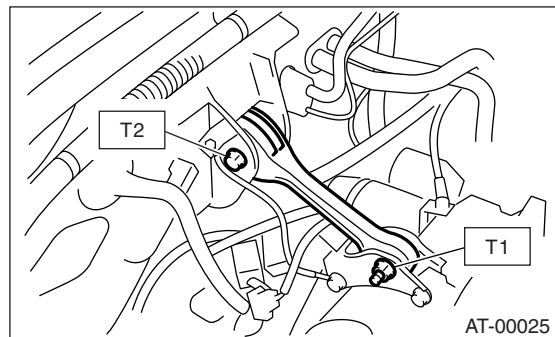
1. PITCHING STOPPER

- 1) Install the pitching stopper.

Tightening torque:

T1: 50 N·m (5.1 kgf·m, 37 ft·lb)

T2: 58 N·m (5.9 kgf·m, 43 ft·lb)



- 2) Install the air cleaner case. (Non-turbo model)
<Ref. to IN(H4SO)-6, INSTALLATION, Air Cleaner Case.>
- 3) Install the intercooler. (Turbo model)
<Ref. to IN(H4DOTC)-11, INSTALLATION, Intercooler.>

TRANSMISSION MOUNTING SYSTEM

AUTOMATIC TRANSMISSION

2. TRANSMISSION REAR CROSSMEMBER AND REAR CUSHION RUBBER

1) Install the rear cushion rubber.

Tightening torque:

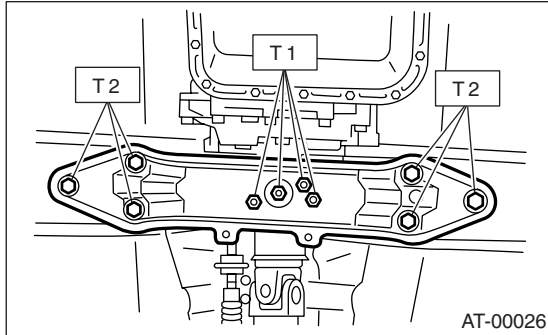
39 N·m (4.0 kgf-m, 29 ft-lb)

2) Install the transmission rear crossmember.

Tightening torque:

T1: 35 N·m (3.6 kgf-m, 26 ft-lb)

T2: 70 N·m (7.1 kgf-m, 51 ft-lb)



3) Remove the transmission jack.

4) Install the heat shield cover. (If equipped)

5) Install the front, center, rear exhaust pipes and the muffler. (Non-turbo model)

<Ref. to EX(H4SO)-5, INSTALLATION, Front Exhaust Pipe.> <Ref. to EX(H4SO)-8, INSTALLATION, Rear Exhaust Pipe.> <Ref. to EX(H4SO)-9, INSTALLATION, Muffler.>

6) Install center and rear exhaust pipes, and muffler. (Turbo model)

<Ref. to EX(H4DOTC)-9, INSTALLATION, Center Exhaust Pipe.> <Ref. to EX(H4DOTC)-13, INSTALLATION, Rear Exhaust Pipe.> <Ref. to EX(H4DOTC)-15, INSTALLATION, Muffler.>

C: INSPECTION

Repair or replace parts if the results of the inspection below are not satisfactory.

1. PITCHING STOPPER

Make sure that the pitching stopper is not bent or damaged. Make sure that the rubber is not stiff, cracked, or otherwise damaged.

2. TRANSMISSION REAR CROSSMEMBER AND REAR CUSHION RUBBER

Make sure that the crossmember is not bent or damaged. Make sure that the cushion rubber is not stiff, cracked, or otherwise damaged.