

11. Clutch Switch

A: REMOVAL

- 1) Disconnect the ground cable from battery.
- 2) Remove the instrument panel lower cover.
- 3) Disconnect the connector from clutch start switch.
- 4) Remove the clutch start switch.

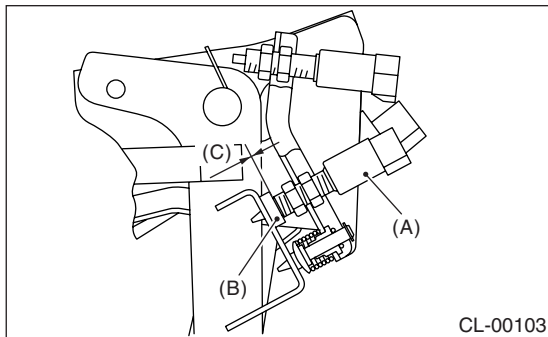
B: INSTALLATION

1. CLUTCH SWITCH (WITH CRUISE CONTROL)

- 1) Install the clutch switch and clutch pedal stopper so that the gap between them is 0 mm (0 in).

Tightening torque:

8 N·m (0.8 kgf·m, 5.8 ft·lb)

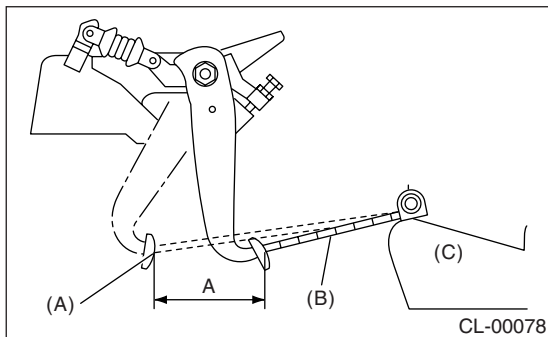


- (A) Clutch switch
- (B) Stopper
- (C) 0 mm (0 in)

- 2) Measure stroke of clutch pedal.

Specified clutch pedal full stroke: A

130 — 135 mm (5.12 — 5.31 in)



- (A) Clutch (Full stroke condition)
- (B) Scale
- (C) Seat

- 3) If the clutch pedal stroke is out of specification, adjust the stroke. <Ref. to CL-27, ADJUSTMENT, Clutch Pedal.>

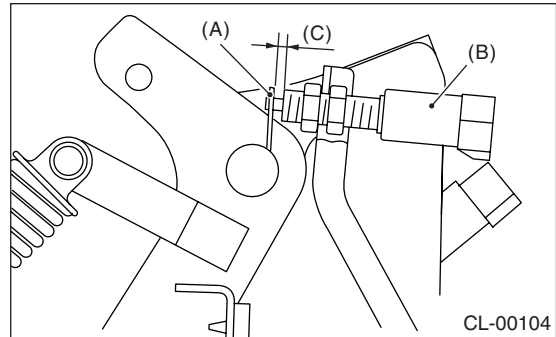
- 4) Connect clutch switch connector.

2. CLUTCH SWITCH (WITH STARTER INTERLOCK)

- 1) Fully depress the clutch pedal.
- 2) Install the clutch pedal plate and clutch switch so that the gap between them is 3 — 3.5 mm (0.12 — 0.14 in), and then tighten the lock nut.

Tightening torque:

8 N·m (0.8 kgf·m, 13.0 ft·lb)



- (A) Plate
- (B) Clutch switch
- (C) 3 — 3.5 mm (0.12 — 0.14 in)

- 3) Connect the clutch switch connector.
- 4) Confirm that the engine does not start when the clutch pedal is released.
- 5) Confirm that the engine starts when the clutch pedal is fully depressed.

C: INSPECTION

- 1) Confirm that the engine does not start when the clutch pedal is released. If the engine starts, adjust the clutch switch and inspect the starter interlock circuit.
- 2) Confirm that the engine starts when the clutch pedal is fully depressed. If the engine does not start, adjust the clutch switch and inspect the starter interlock circuit.
- 3) Check the clutch switch continuity. If continuity is not as specified, replace the switch.
 - (1) Disconnect the clutch switch connector.
 - (2) Measure the resistance between 1 and 2 of switch terminal.

Terminals/Specified resistance

When clutch pedal depressed:

1 — 2/Less than 1 Ω

Terminals/Specified resistance

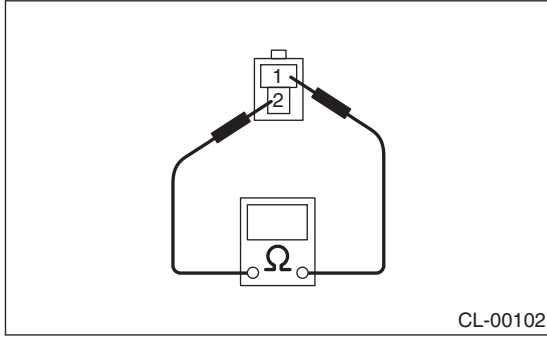
When clutch pedal not depressed:

1 — 2/More than 1 MΩ

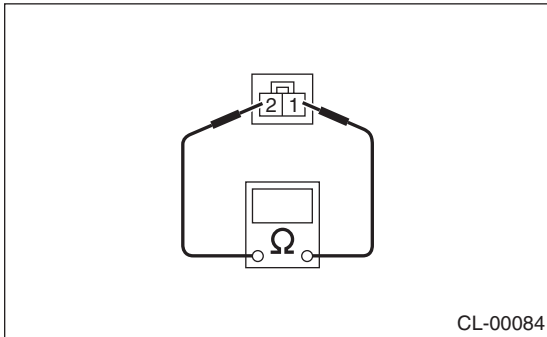
CLUTCH SWITCH

CLUTCH SYSTEM

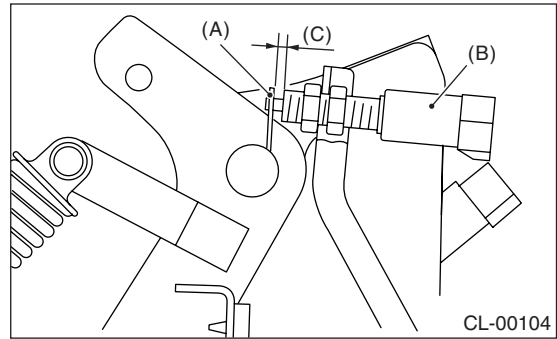
Clutch switch (With starter interlock)



Clutch switch (With cruise control)



3) Adjust the clutch pedal plate and clutch switch so that the gap between them is 3 — 3.5 mm (0.12 — 0.14 in).



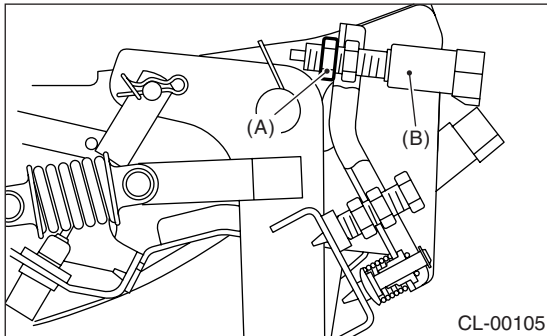
- (A) Plate
- (B) Clutch switch (Starter interlock)
- (C) 3 — 3.5 mm (0.12 — 0.14 in)

4) Tighten the lock nut.

**Tightening torque (Clutch stopper nut):
8 N·m (0.8 kgf·m, 13.0 ft·lb)**

D: ADJUSTMENT

1) Loosen the clutch switch mounting lock nut (with starter interlock).



- (A) Lock nut
- (B) Clutch switch (with starter interlock)

2) Fully depress the clutch pedal.