

GENERAL DESCRIPTION

CONTROL SYSTEMS

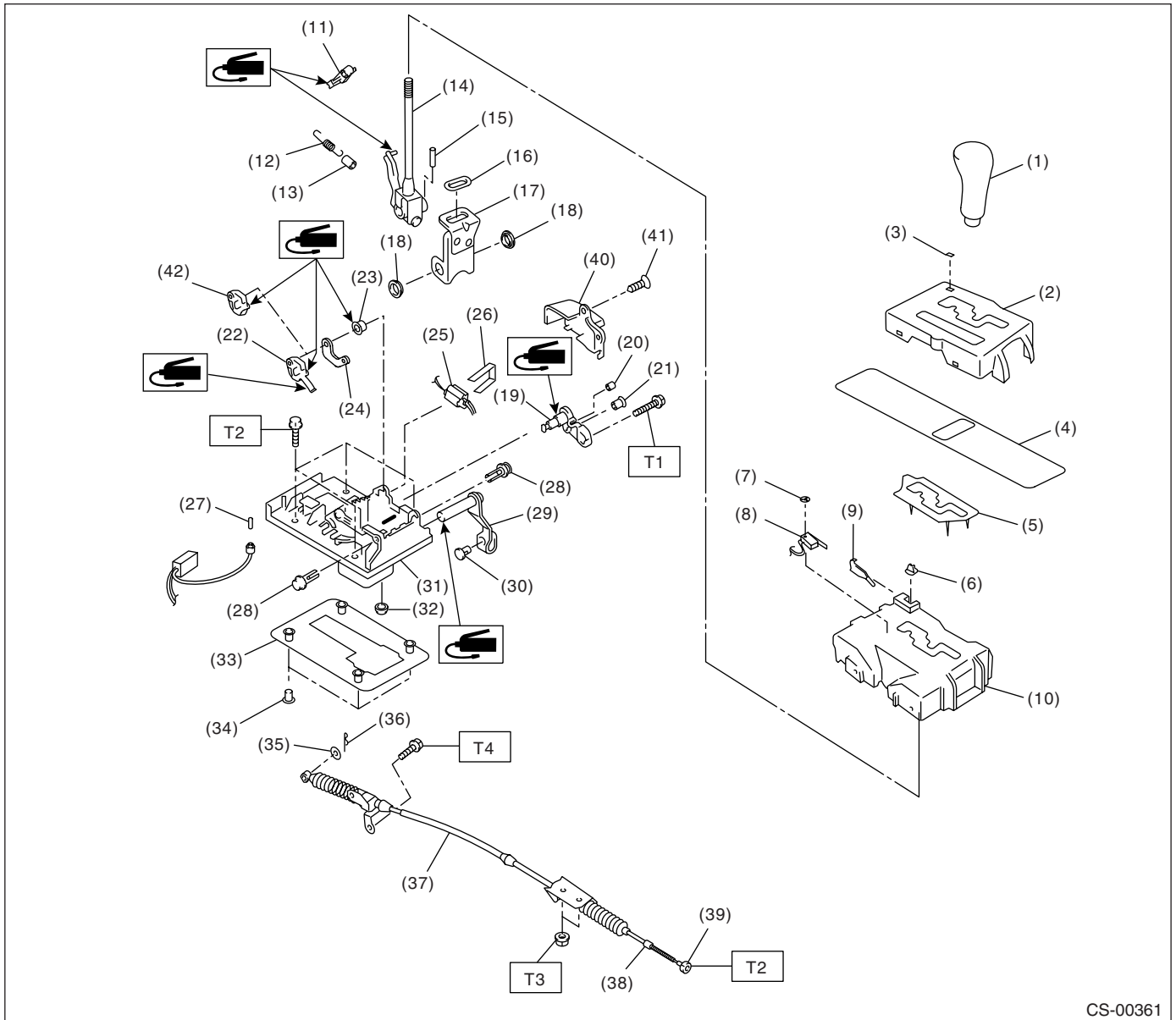
1. General Description

A: SPECIFICATIONS

Item	Specification
Swing torque of rod against lever N (kgf, lb)	3.7 (0.38, 0.84) or less

B: COMPONENT

1. AT SELECT LEVER



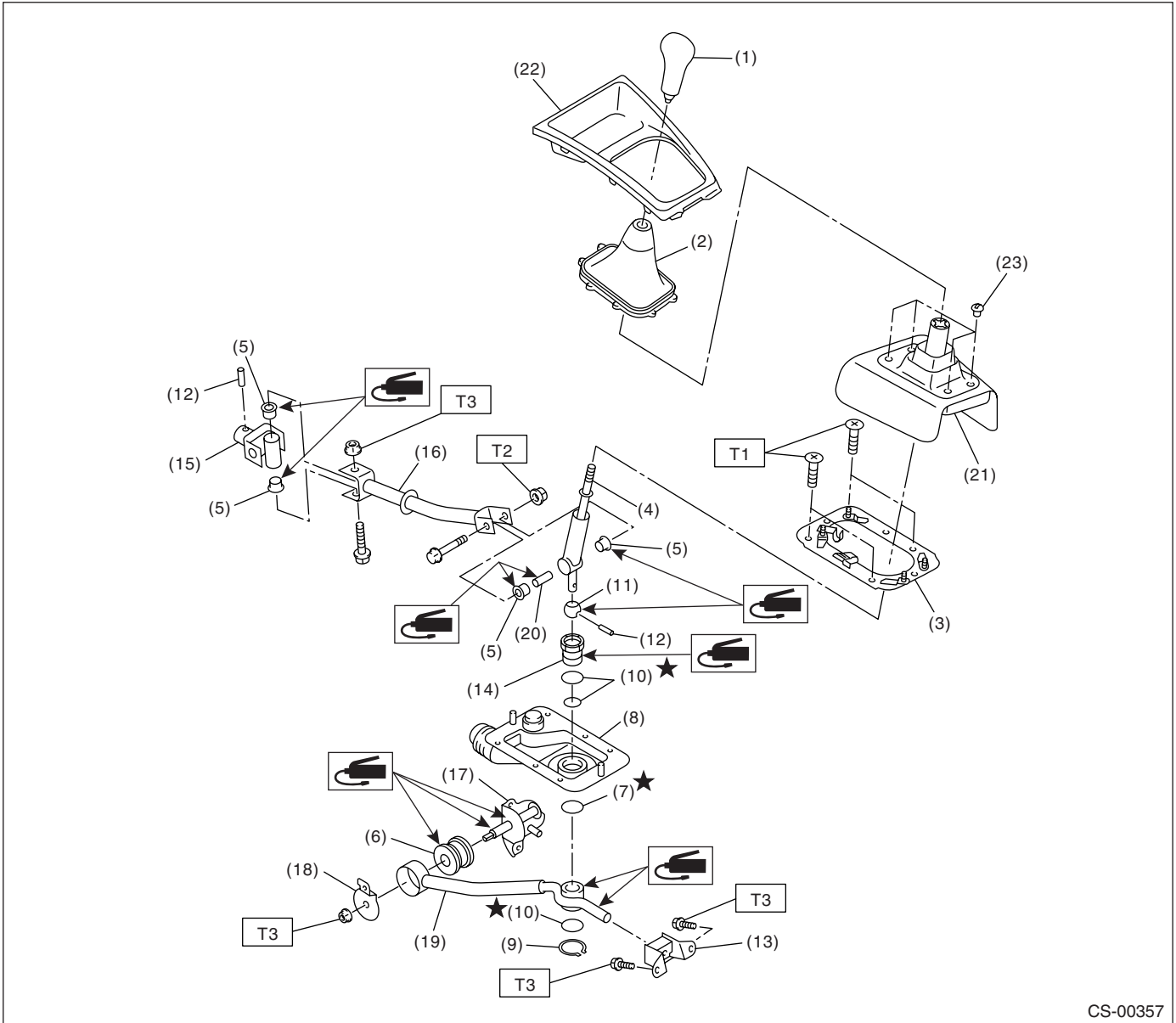
CS-00361

GENERAL DESCRIPTION

CONTROL SYSTEMS

(1) Grip	(17) Bracket	(33) Packing
(2) Indicator cover	(18) Bushing	(34) Spacer
(3) Cover	(19) Lock plate B	(35) Washer
(4) Blind	(20) Bushing	(36) Snap pin
(5) Cushion	(21) Bushing	(37) Select cable
(6) Button	(22) Lock plate A (Non-turbo model)	(38) Adjusting nut B
(7) Clip	(23) Bushing	(39) Adjusting nut A
(8) "P" range switch	(24) Lock plate C	(40) Cover
(9) Spring	(25) Shift lock solenoid	(41) Clip
(10) Guide plate	(26) Clamp	(42) Lock plate A (Turbo model)
(11) Detent arm	(27) Indicator light bulb	
(12) Detent spring	(28) Clip	<hr/> Tightening torque: N·m (kgf-m, ft-lb)
(13) Tube	(29) Select lever lower	T1: 2.0 (0.2, 1.4)
(14) Select lever COMPL	(30) Bushing COMPL	T2: 7.5 (0.76, 5.5)
(15) Spring pin	(31) Base plate	T3: 13 (1.3, 9.4)
(16) Bushing	(32) Grommet	T4: 18 (1.8, 13.0)

2. MT GEAR SHIFT LEVER



CS-00357

- | | | |
|----------------------|---------------------|------------------------------|
| (1) Gear shift knob | (11) Bushing A | (21) Boot and insulator ASSY |
| (2) Console boot | (12) Spring pin | (22) Front cover |
| (3) Plate ASSY | (13) Cushion rubber | (23) Clamp |
| (4) Gear shift lever | (14) Bushing B | |
| (5) Bushing | (15) Joint | |
| (6) Bushing | (16) Rod | |
| (7) Lock wire | (17) Bracket | |
| (8) Boot | (18) Washer | |
| (9) Snap ring | (19) Stay | |
| (10) O-ring | (20) Spacer | |

Tightening torque: N·m (kgf·m, ft·lb)

T1: 7.5 (0.76, 5.5)

T2: 12 (1.2, 8.7)

T3: 18 (1.8, 13.0)

C: CAUTION

- Wear working clothing, including a cap, protective goggles, and protective shoes during operation.
- Remove contamination including dirt and corrosion before removal, installation or disassembly.
- Keep the disassembled parts in order and protect them from dust or dirt.
- Before removal, installation or disassembly, be sure to clarify the failure. Avoid unnecessary removal, installation, disassembly and replacement.
- Use SUBARU genuine fluid, grease etc. or the equivalent. Do not mix grease etc. with that of another grade or from other manufacturers.
- Be sure to tighten fasteners including bolts and nuts to the specified torque.
- Place shop jacks or safety stands at the specified points.
- Apply grease onto sliding or revolution surfaces before installation.
- Before installing O-rings or snap rings, apply sufficient amount of grease to avoid damage and deformation.
- Before securing a part on a vise, place cushioning material such as wood blocks, aluminum plate, or shop cloth between the part and the vise.
- Before disconnecting electrical connectors, be sure to disconnect the ground cable from battery.