

AIRBAG SYSTEM (DIAGNOSTICS)

AB

	Page
1. Basic Diagnostic Procedure	2
2. Check List for Interview	3
3. General Description	4
4. Electrical Components Location.....	19
5. A/B Control Module I/O Signal	21
6. Airbag Connector	27
7. Airbag Warning Light Illumination Pattern.....	30
8. Read Diagnostic Trouble Code (DTC)	31
9. Inspection Mode.....	32
10. Clear Memory Mode.....	33
11. Airbag Warning Light Failure.....	34
12. List of Diagnostic Trouble Code (DTC)	44
13. Diagnostic Chart with Trouble Code	47

BASIC DIAGNOSTIC PROCEDURE

AIRBAG SYSTEM (DIAGNOSTICS)

1. Basic Diagnostic Procedure

A: PROCEDURE

Step	Value	Yes	No
1 READ DIAGNOSTIC TROUBLE CODE (DTC). <Ref. to AB-31, Read Diagnostic Trouble Code (DTC).> Is the normal code detected?	Normal code is detected.	Finish the diagnosis.	Go to step 2 .
2 READ DIAGNOSTIC TROUBLE CODE (DTC). <Ref. to AB-31, Read Diagnostic Trouble Code (DTC).> Is the DTC detected?	DTC is not detected.	Go to step 3 .	Go to "Airbag Warning Light Failure".<Ref. to AB-34, Airbag Warning Light Failure.>
3 PERFORM THE DIAGNOSIS. 1) Judge the possible cause from "List of Diagnostic Trouble Code" <Ref. to AB-44, List of Diagnostic Trouble Code (DTC).> . 2) Inspect using "Diagnostic Chart with Trouble Code". (DTC) 3) Repair the cause of the trouble. 4) Perform the clear memory mode. <Ref. to AB-33, Clear Memory Mode.> 5) Perform the inspection mode. <Ref. to AB-32, Inspection Mode.> 6) Read any DTC again. Is the DTC detected?	DTC is not detected.	Finish the diagnosis.	Perform the procedure 1) to 5) in step 3 .

CHECK LIST FOR INTERVIEW

AIRBAG SYSTEM (DIAGNOSTICS)

2. Check List for Interview

A: CHECK

Customer's Name		Inspector's Name	
Date Vehicle Brought In	/ /	Registration No.	
Odometer Reading	Km Miles	Vin No.	
Date Problem Occurred	/ /	Registration Year	/ /
Weather	<input type="checkbox"/> Fine <input type="checkbox"/> Cloudy <input type="checkbox"/> Rainy <input type="checkbox"/> Snowy <input type="checkbox"/> Other:		
Temperature	°C (°F)		
Road Condition	<input type="checkbox"/> Level road <input type="checkbox"/> Uphill <input type="checkbox"/> Downhill <input type="checkbox"/> Rough road <input type="checkbox"/> Others:		
Vehicle Operation	<input type="checkbox"/> Starting <input type="checkbox"/> Idling <input type="checkbox"/> Driving (<input type="checkbox"/> Constant Speed <input type="checkbox"/> Acceleration <input type="checkbox"/> Deceleration <input type="checkbox"/> Steering wheel turn <input type="checkbox"/> Other:)		
Details of Problem			
Check Airbag Warning Light	<input type="checkbox"/> Remains ON <input type="checkbox"/> Remains OFF		
Check DTC	<input type="checkbox"/> Normal Code <input type="checkbox"/> Trouble Code: (Code:)		

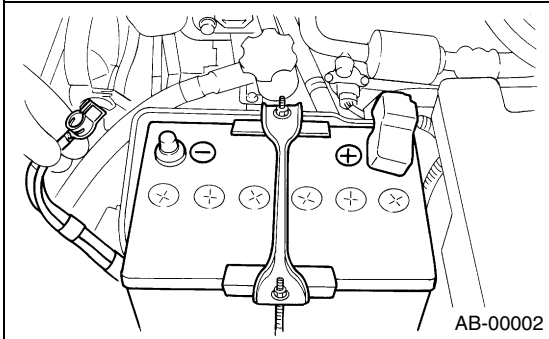
GENERAL DESCRIPTION

AIRBAG SYSTEM (DIAGNOSTICS)

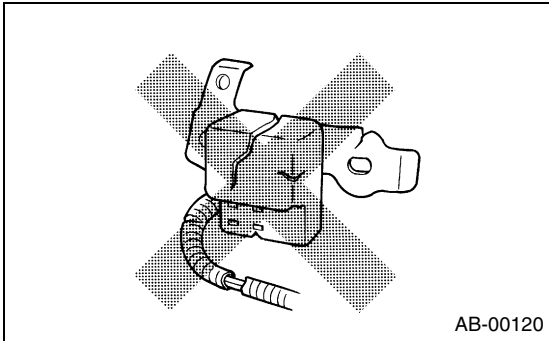
3. General Description

A: CAUTION

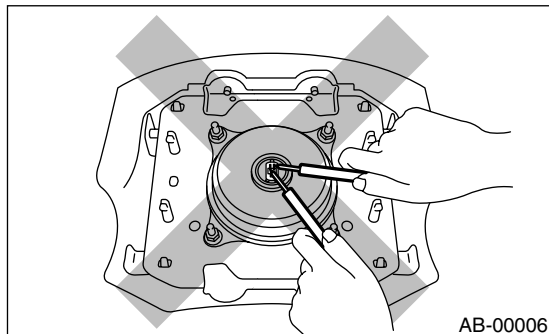
- When servicing a vehicle, be sure to turn the ignition switch to OFF, disconnect the ground cable from battery, and wait for more than 20 seconds before starting work.
- The airbag system is fitted with a backup power source. If the airbag system is serviced within 20 seconds after the ground cable is disconnected, it may inflate.



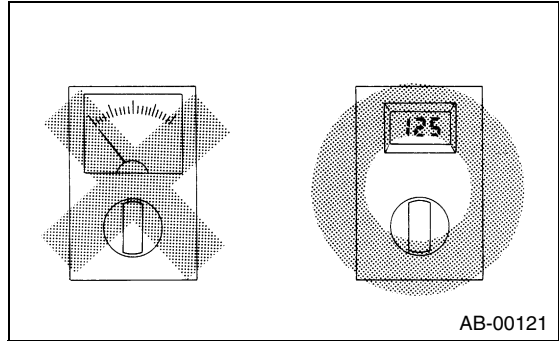
- If the airbag warning light illuminates, repair the vehicle immediately. Airbag or pretensioner may inflate incorrectly, or not inflate in collision.
- If sensors, airbag module, airbag control module, pretensioner, and harness are deformed or damaged, replace them with new genuine parts.
- Do not use the airbag system and pretensioners on other vehicles. When replacing parts, be sure to replace them with new parts.



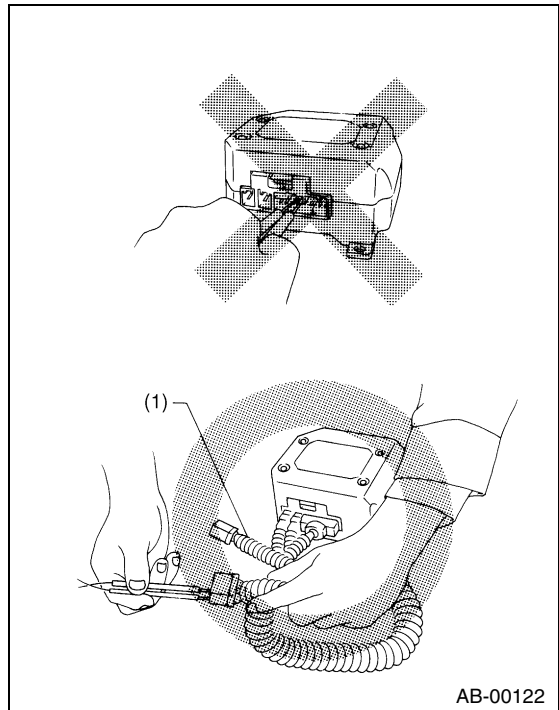
- Do not check continuity of either of the airbag modules for driver, passenger or side, or pretensioner.



- When checking the system, be sure to use a digital circuit tester. Use of an analog circuit tester may cause the airbag to activate erroneously.



- When checking, use a test harness. Do not directly apply the tester probe to any connector terminal of the airbag.

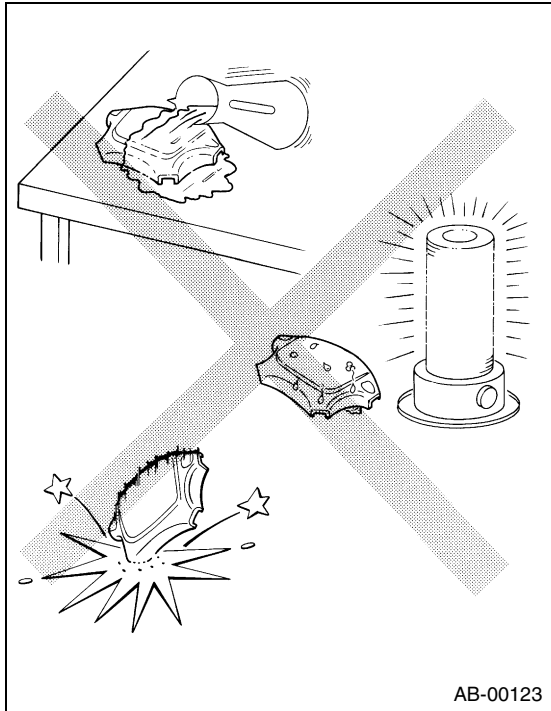


(1) Test harness

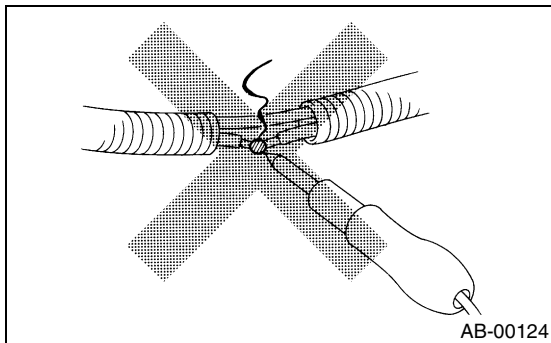
GENERAL DESCRIPTION

AIRBAG SYSTEM (DIAGNOSTICS)

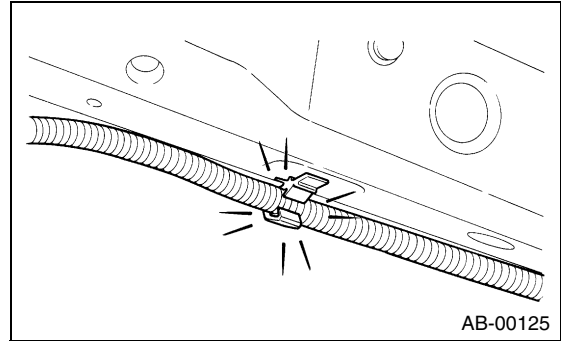
- Do not drop the airbag modulator parts, subject them to high temperature over 93°C (199°F), or let water, oil, or grase get on them; otherwise, the internal parts may be damaged and reliability greatly lowered.



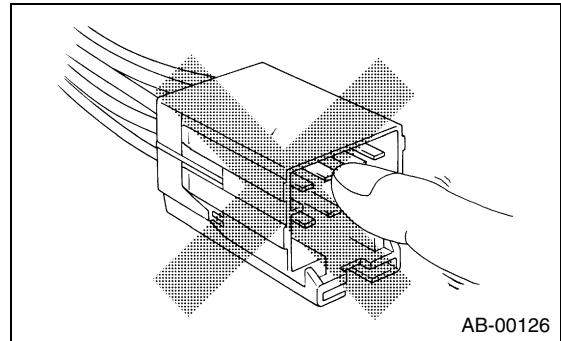
- If any damage, opening, or rust is found on the airbag system wire harness, do not attempt to repair using soldering equipment. Be sure to replace the faulty harness with a new genuine part.



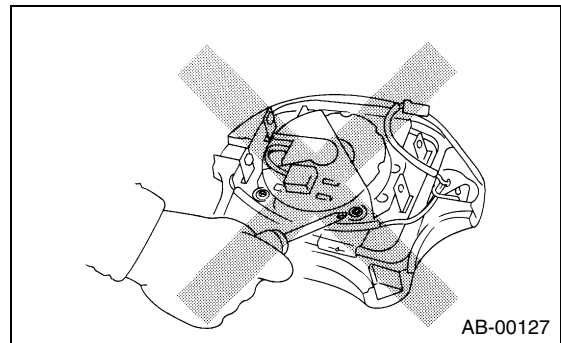
- Install the wire harness securely with the specified clips to avoid interference or tangled up with other parts.



- Do not allow water or oil to come in contact with the connector terminals. Do not touch the connector terminals.



- Either of the airbag modules for driver, passenger or side, or pretensioner must not be disassembled.

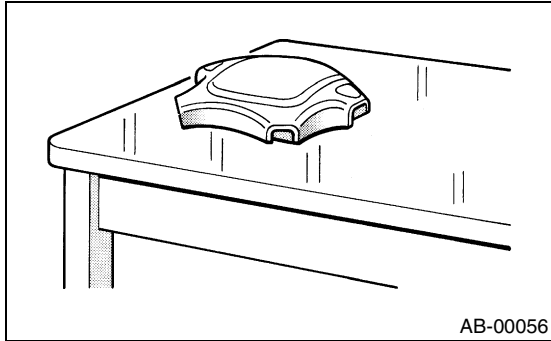


- The airbag module cannot be used again once inflated.

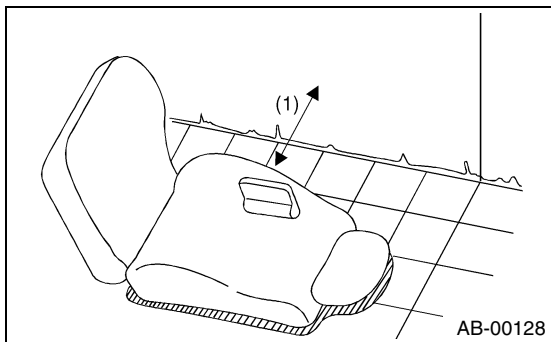
GENERAL DESCRIPTION

AIRBAG SYSTEM (DIAGNOSTICS)

- After removal, keep the airbag module with the pad facing upward on a dry, clean, and flat surface away from heat and light sources, and moisture and dust.

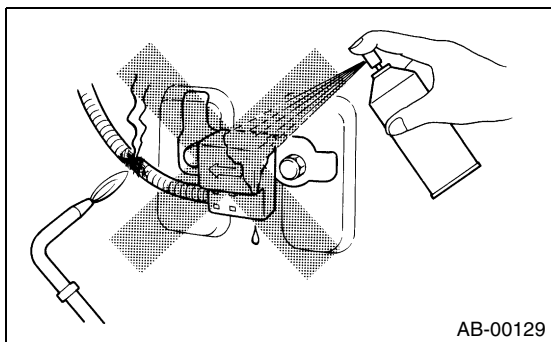


- The removed front seat with the airbag module must be kept at least 200 mm (8 in) away from walls and other objects.



(1) More than 200 mm (8 in)

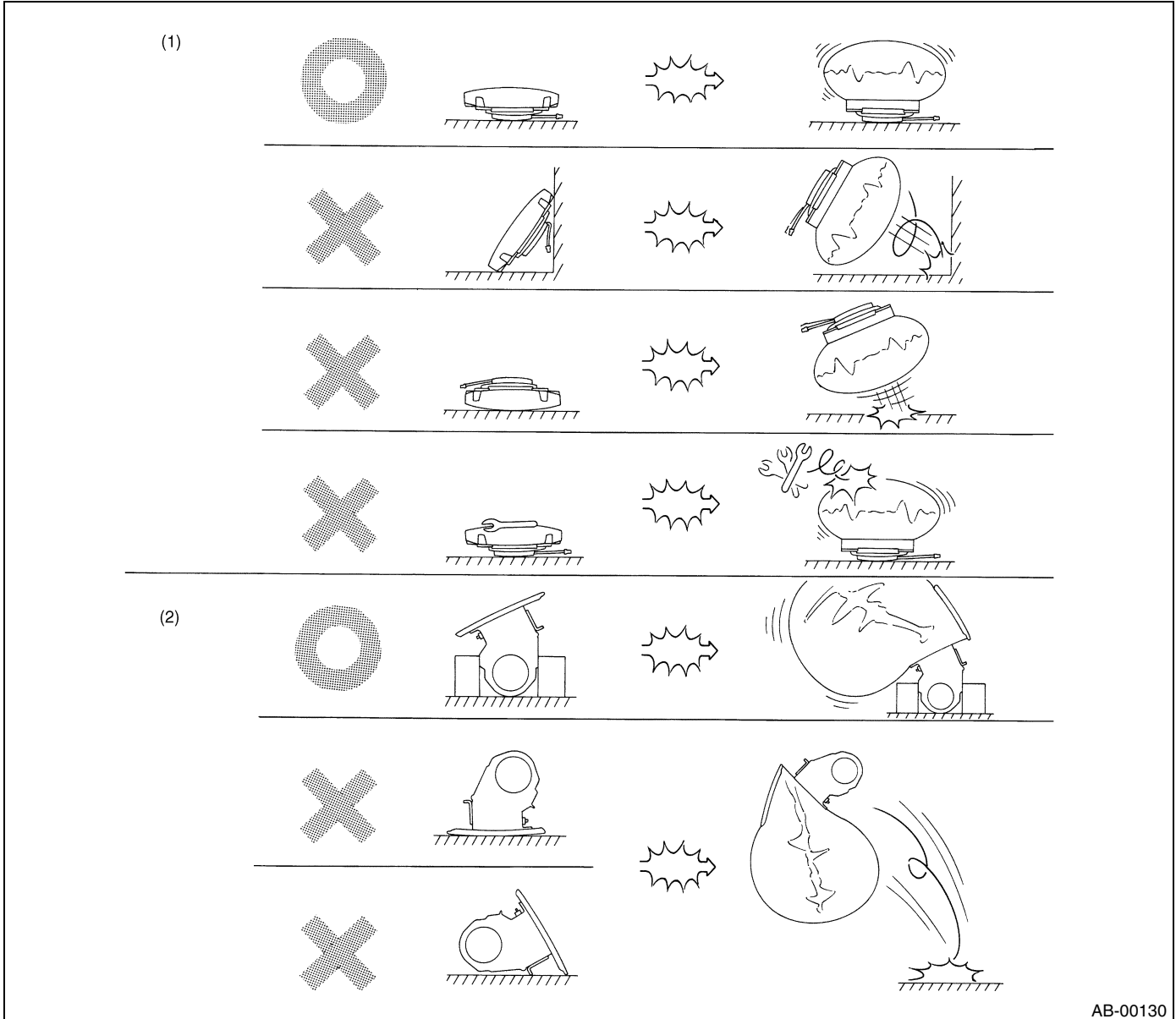
- When painting or performing sheet metal work on the front part of the vehicle, including the front wheel apron, front fender, and front side frame, remove the front sub sensors and wire harness of the airbag system.
- When painting or performing sheet metal work on the side of the vehicle, including the side sill, center pillar, and front and rear doors, remove the side airbag sensors and wire harness of the airbag system.



GENERAL DESCRIPTION

AIRBAG SYSTEM (DIAGNOSTICS)

- When storing a removed airbag module, do not place any objects on it or pile airbag modules on top of each other. If the airbag inflates for some reason when it is placed with its pad side facing downward or under any object, a serious accident may result.



AB-00130

(1) Driver side

(2) Passenger side

- Do not discard undeployed airbag modules. They could easily cause a serious accident if accidentally deployed.

B: INSPECTION

Before diagnosing, check the following items that might be related to the engine problem:

1. BATTERY

Measure the battery voltage and specific gravity of electrolyte.

Standard voltage: 12 V

Specific gravity: Above 1.260

GENERAL DESCRIPTION

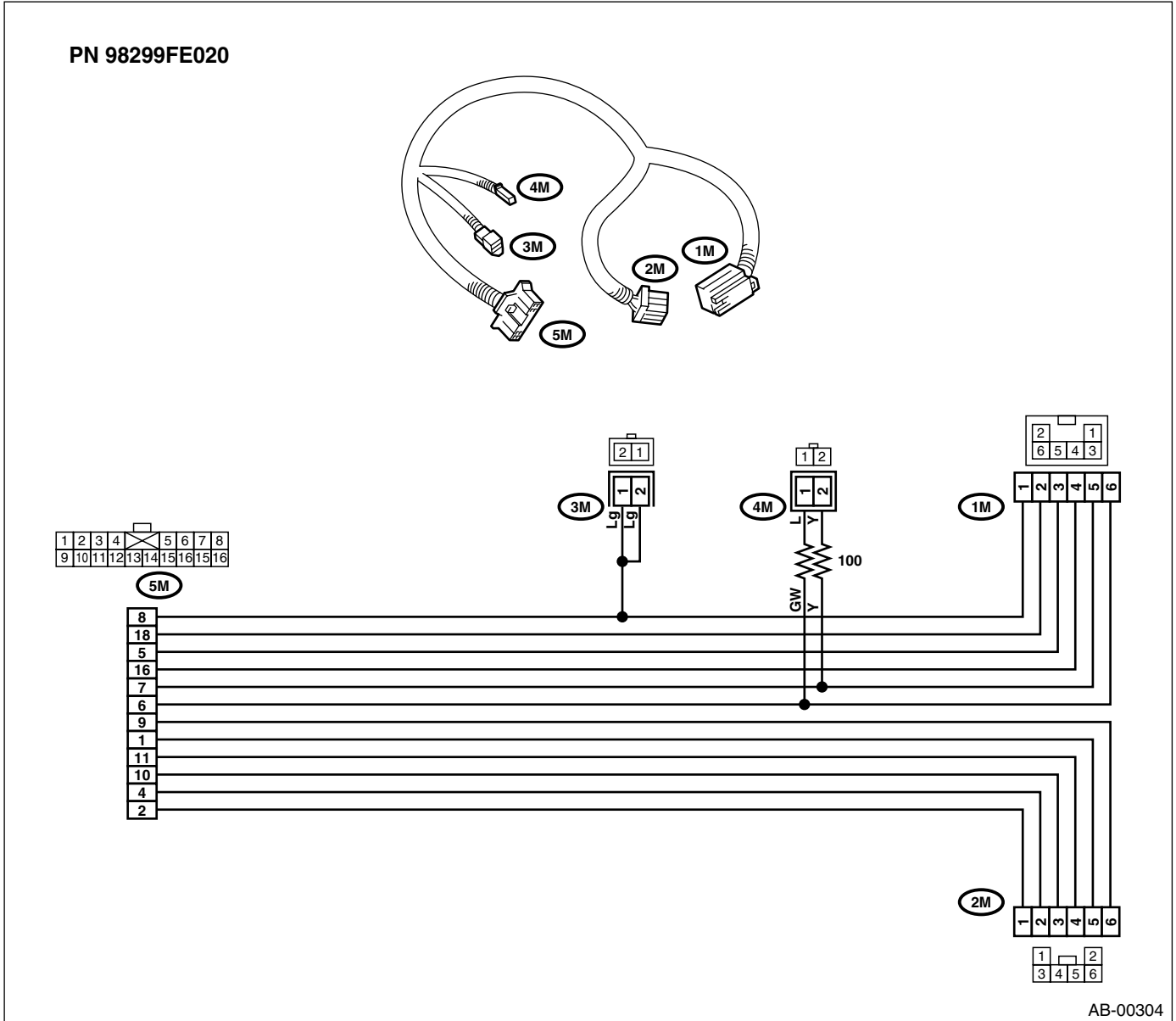
AIRBAG SYSTEM (DIAGNOSTICS)

C: PREPARATION TOOL

CAUTION:

Be sure to use specified test harness M, F, G, H, R, L, N, P, Q, or T when measuring the voltage, resistance, etc. of AIRBAG system component parts.

1. TEST HARNESS M

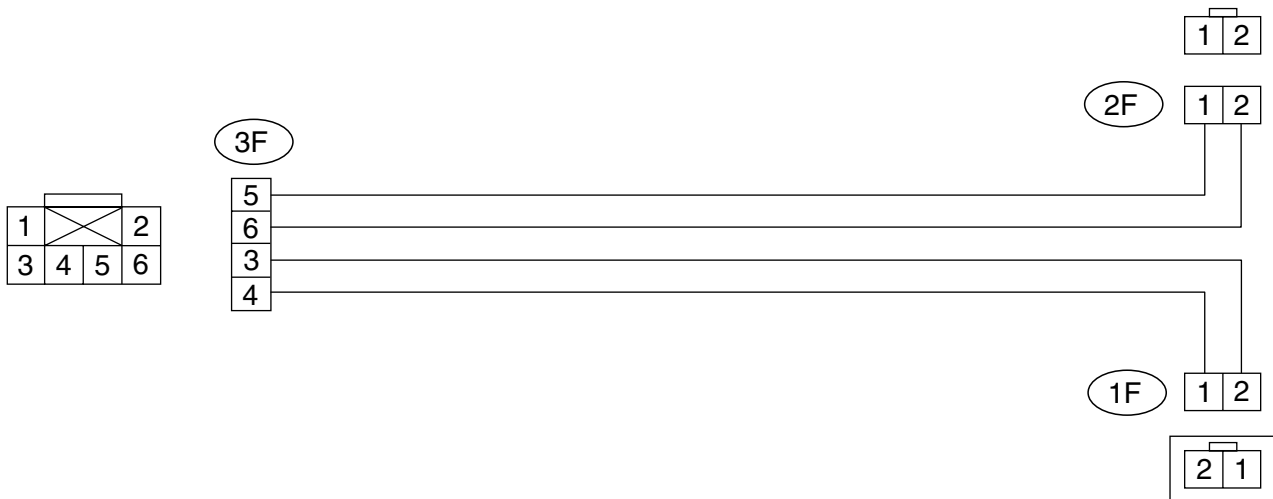
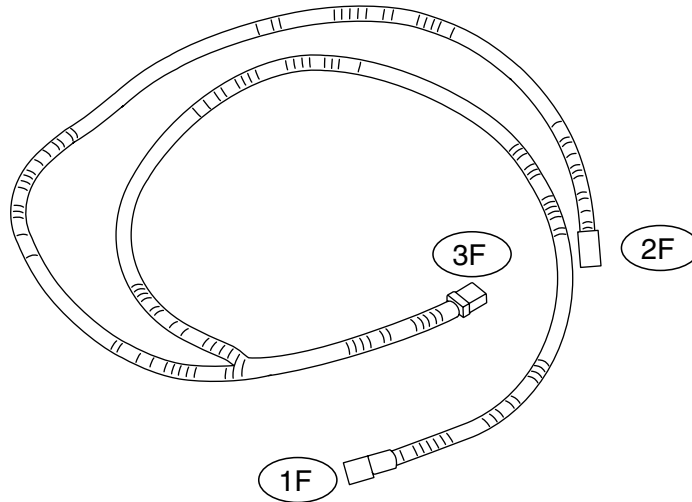


GENERAL DESCRIPTION

AIRBAG SYSTEM (DIAGNOSTICS)

2. TEST HARNESS F

PN 98299FC010

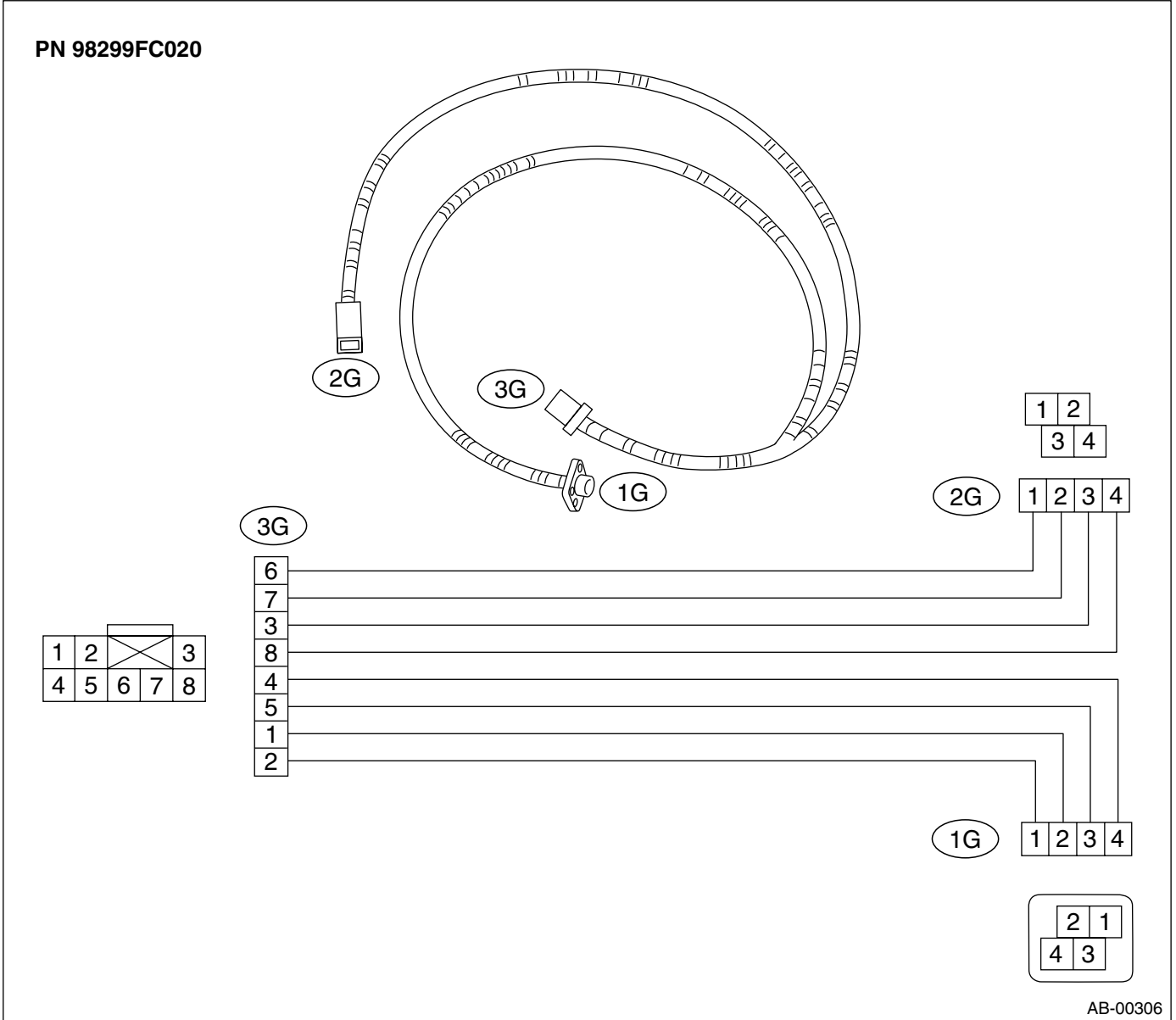


AB-00305

GENERAL DESCRIPTION

AIRBAG SYSTEM (DIAGNOSTICS)

3. TEST HARNESS G

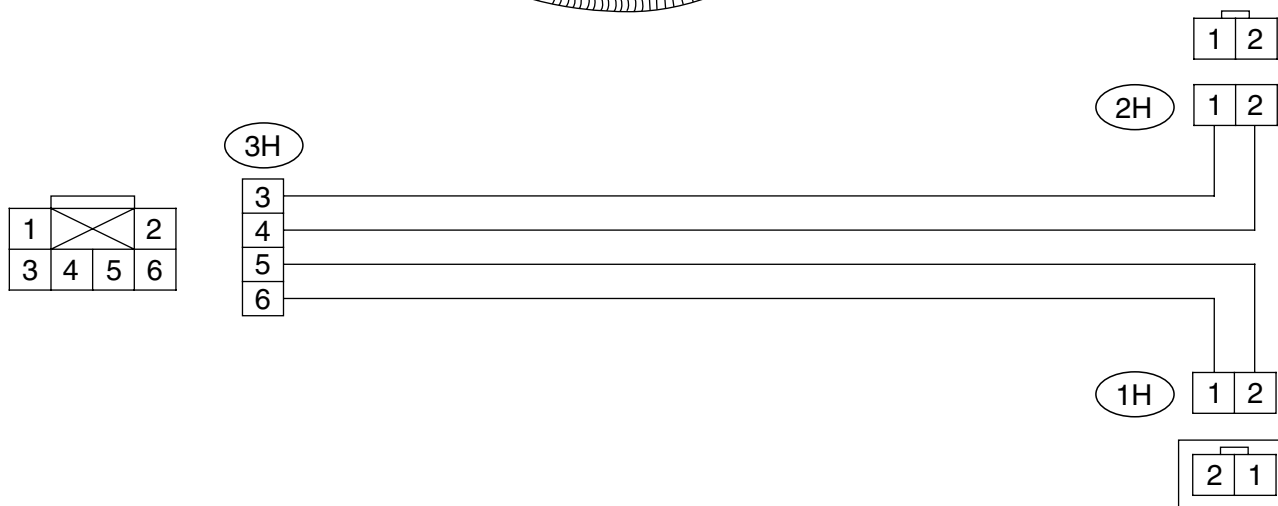
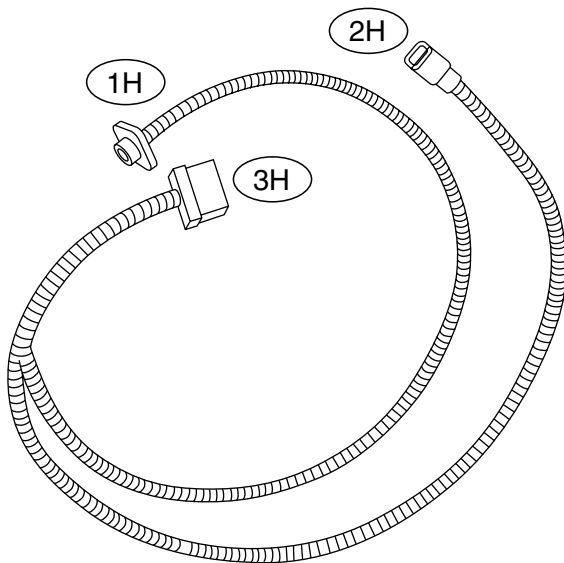


GENERAL DESCRIPTION

AIRBAG SYSTEM (DIAGNOSTICS)

4. TEST HARNESS H

PN 98299FA030

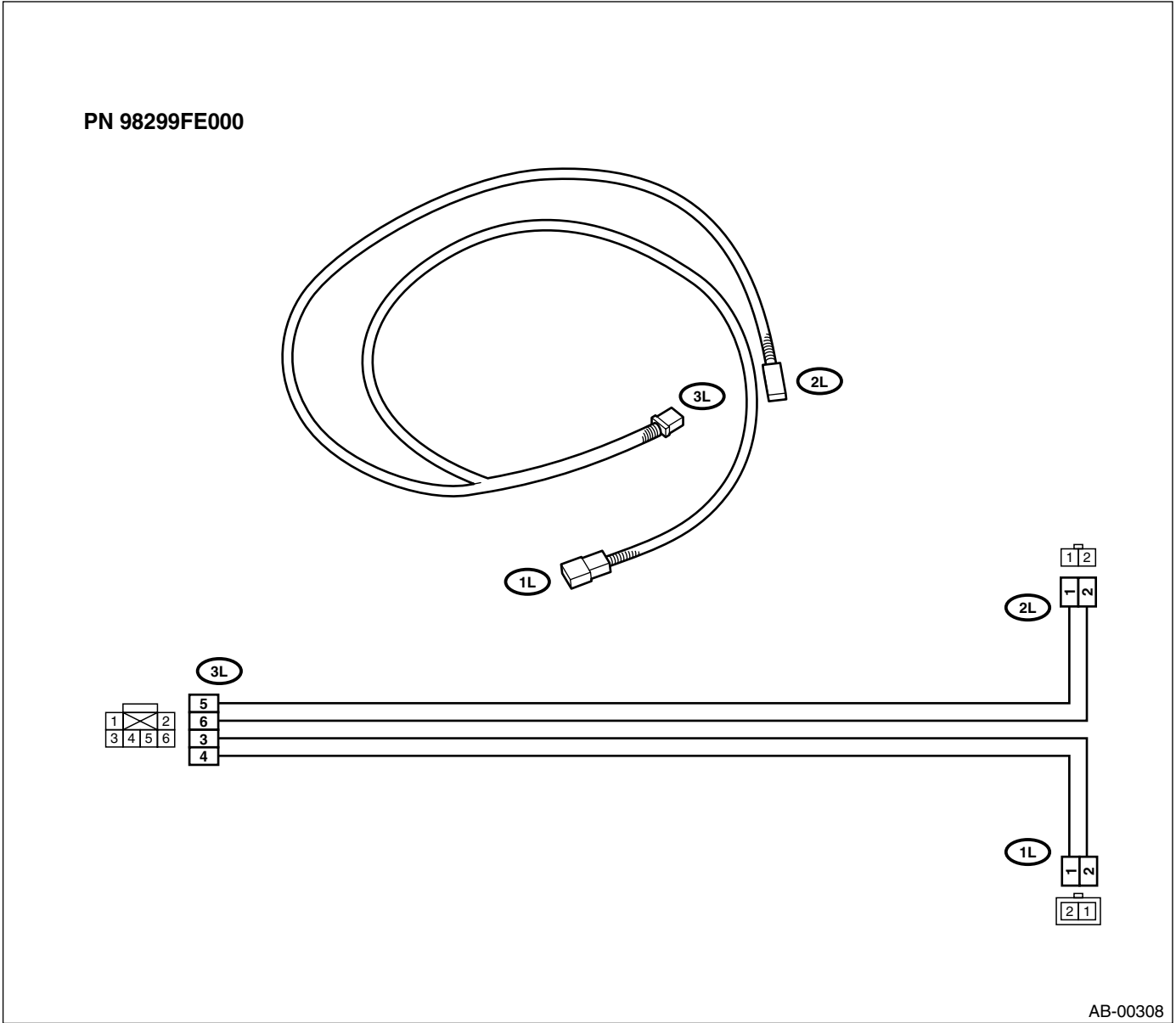


AB-00307

GENERAL DESCRIPTION

AIRBAG SYSTEM (DIAGNOSTICS)

5. TEST HARNESS L

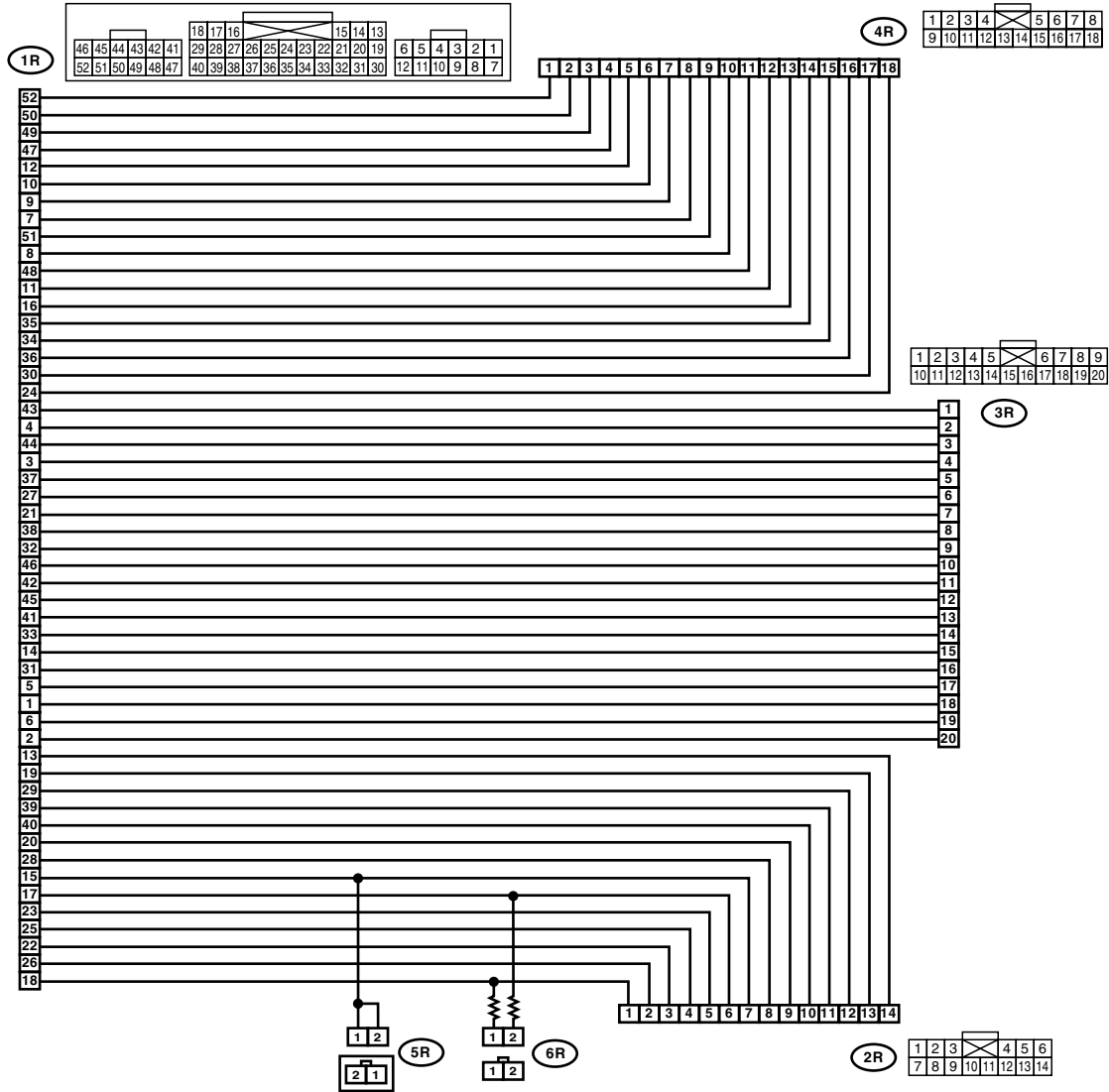
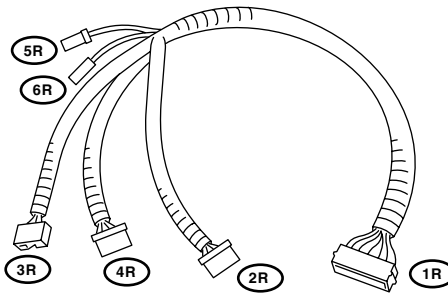


GENERAL DESCRIPTION

AIRBAG SYSTEM (DIAGNOSTICS)

6. TEST HARNESS R

PN 98299FE030



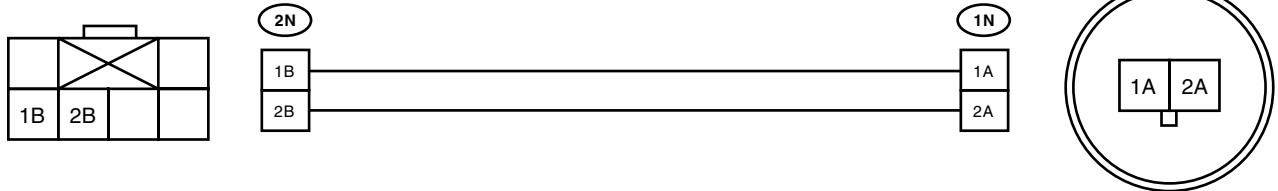
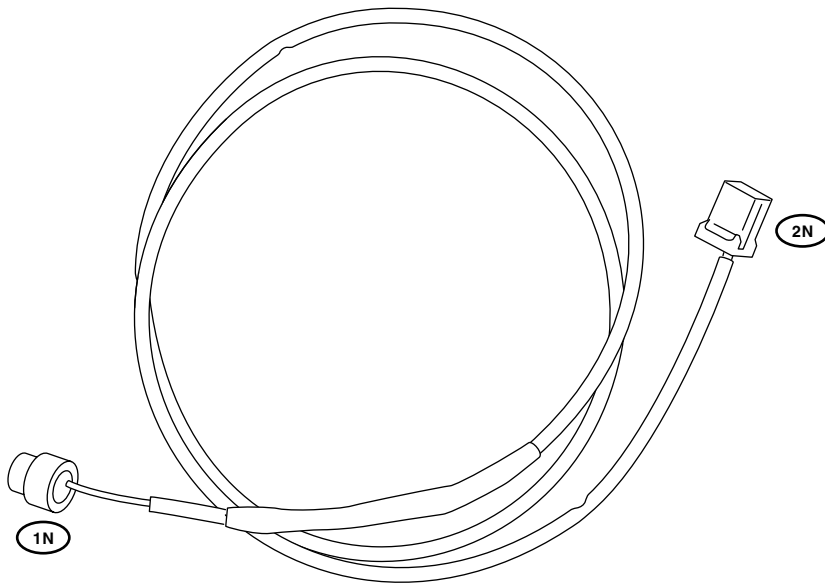
AB-00143

GENERAL DESCRIPTION

AIRBAG SYSTEM (DIAGNOSTICS)

7. TEST HARNESS N

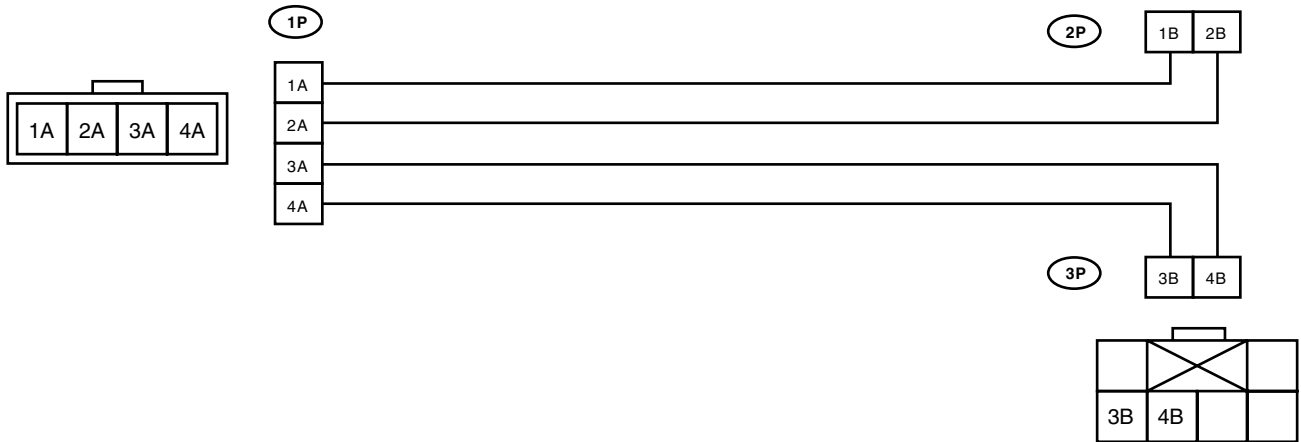
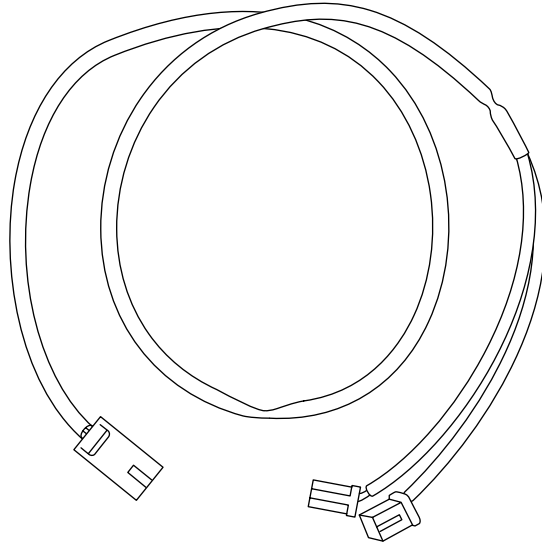
PN 98299SA000



AB-00309

8. TEST HARNESS P

PN 98299SA020



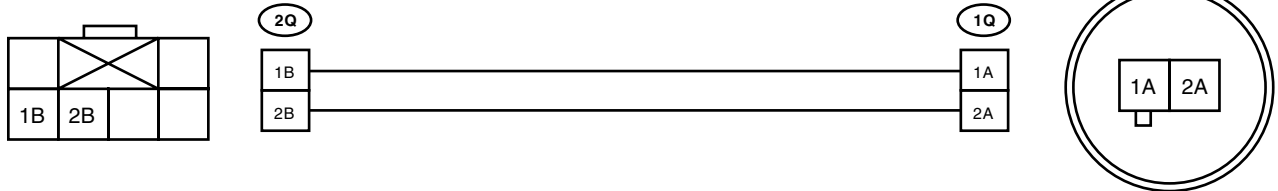
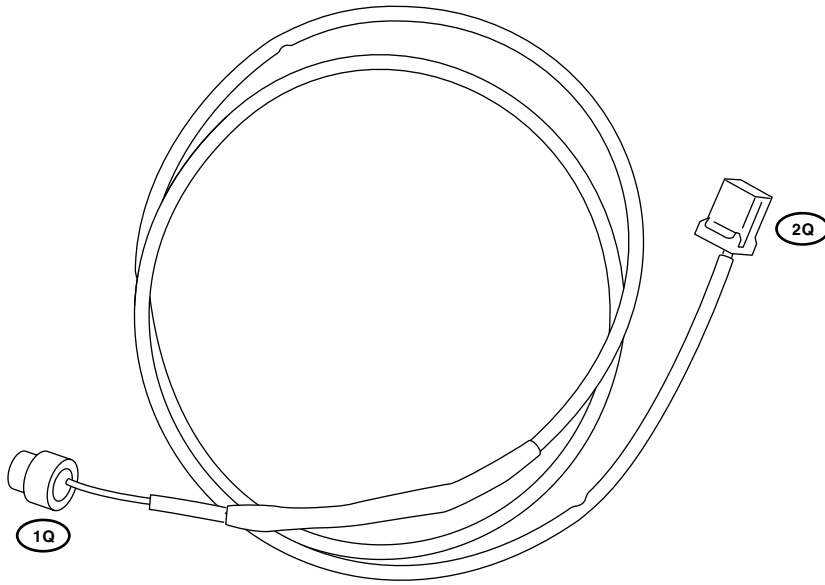
AB-00310

GENERAL DESCRIPTION

AIRBAG SYSTEM (DIAGNOSTICS)

9. TEST HARNESS Q

PN 98299SA040



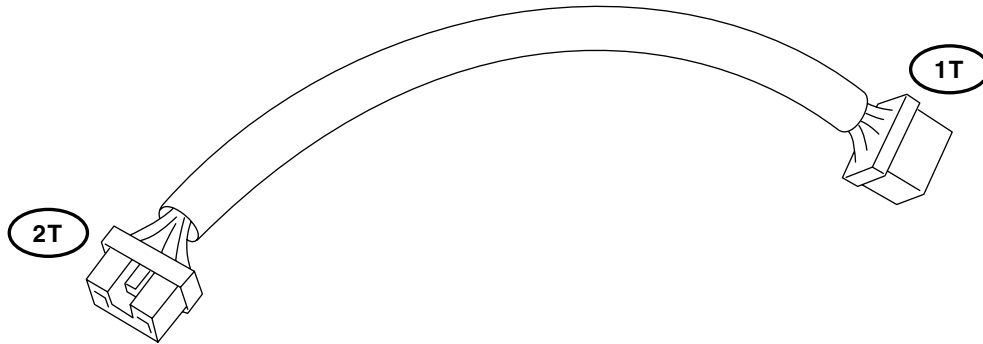
AB-00311

GENERAL DESCRIPTION

AIRBAG SYSTEM (DIAGNOSTICS)

10. TEST HARNESS T

PN 98299SA060



AB-00336

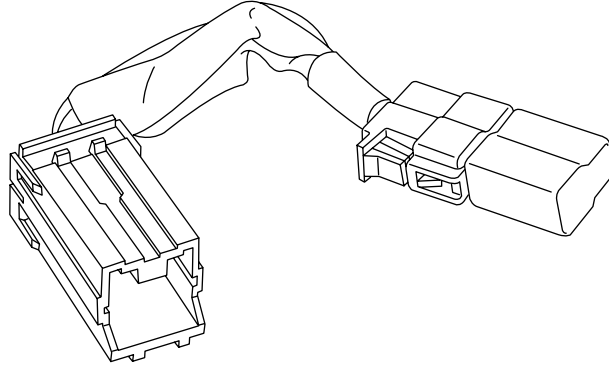
GENERAL DESCRIPTION

AIRBAG SYSTEM (DIAGNOSTICS)

11. AIRBAG RESISTOR

The airbag resistor is used during diagnostics. The airbag resistor has the same resistance as the airbag module and thus provides safety when used instead of the airbag module. It also makes it possible to finish diagnostics in less time.

PN 98299PA040



AB-00312

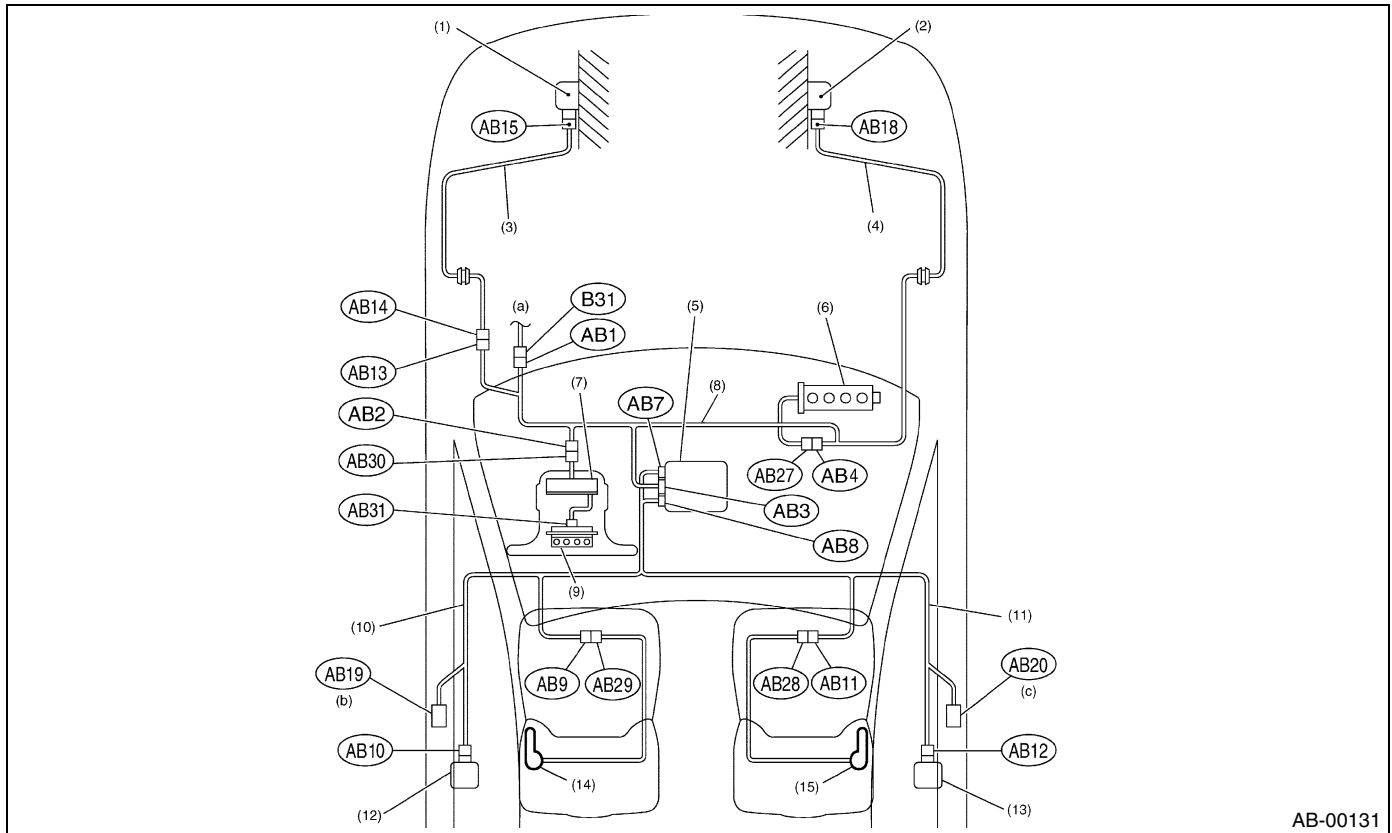
ELECTRICAL COMPONENTS LOCATION

AIRBAG SYSTEM (DIAGNOSTICS)

4. Electrical Components Location

A: LOCATION

1. LHD MODEL



AB-00131

- | | | |
|--|-------------------------------|------------------------------------|
| (1) Front sub sensor (LH) | (7) Roll connector | (14) Side airbag inflator (LH) |
| (2) Front sub sensor (RH) | (8) Airbag main harness | (15) Side airbag inflator (RH) |
| (3) Front sub sensor harness (LH) | (9) Driver's airbag inflator | (a) To body harness |
| (4) Front sub sensor harness (RH) | (10) Side airbag harness (LH) | (b) To seat belt pretensioner (LH) |
| (5) Airbag control module with built-in safety and electric sensor | (11) Side airbag harness (RH) | (c) To seat belt pretensioner (RH) |
| (6) Passenger's airbag inflator | (12) Side airbag sensor (LH) | |
| | (13) Side airbag sensor (RH) | |

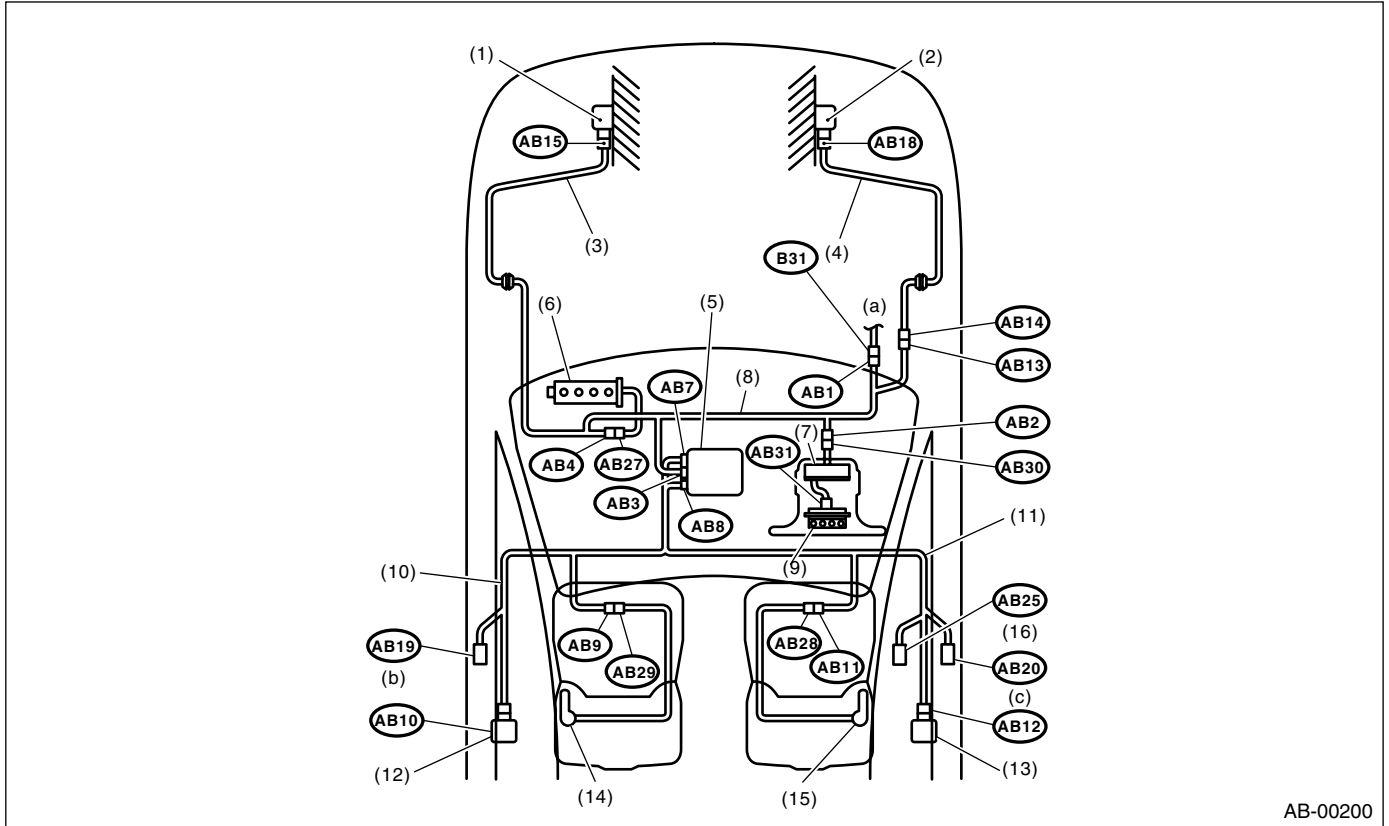
Connector No.	(AB1)	(AB2)	(AB3)	(AB4)	(AB7)	(AB8)	(AB9)	(AB10)	(AB11)	(AB12)	(AB13)	(AB14)
Pole	6	2	28	4	12	12	2	4	2	4	2	2
Color	Yellow	Yellow	Yellow	Yellow	Yellow	Yellow	Yellow	Yellow	Yellow	Yellow	Yellow	Yellow
Male/Female	Male	Female	Female	Female	Female	Female	Female	Female	Female	Female	Female	Male

Connector No.	(AB15)	(AB18)	(AB19)	(AB20)	(AB27)	(AB28)	(AB29)	(AB30)	(AB31)			
Pole	2	2	2	2	4	2	2	2	2			
Color	Yellow	Yellow	Yellow	Yellow	Yellow	Yellow	Yellow	Yellow	Black			
Male/Female	Female	Female	Female	Female	Male	Male	Male	Male	Female			

ELECTRICAL COMPONENTS LOCATION

AIRBAG SYSTEM (DIAGNOSTICS)

2. RHD MODEL



AB-00200

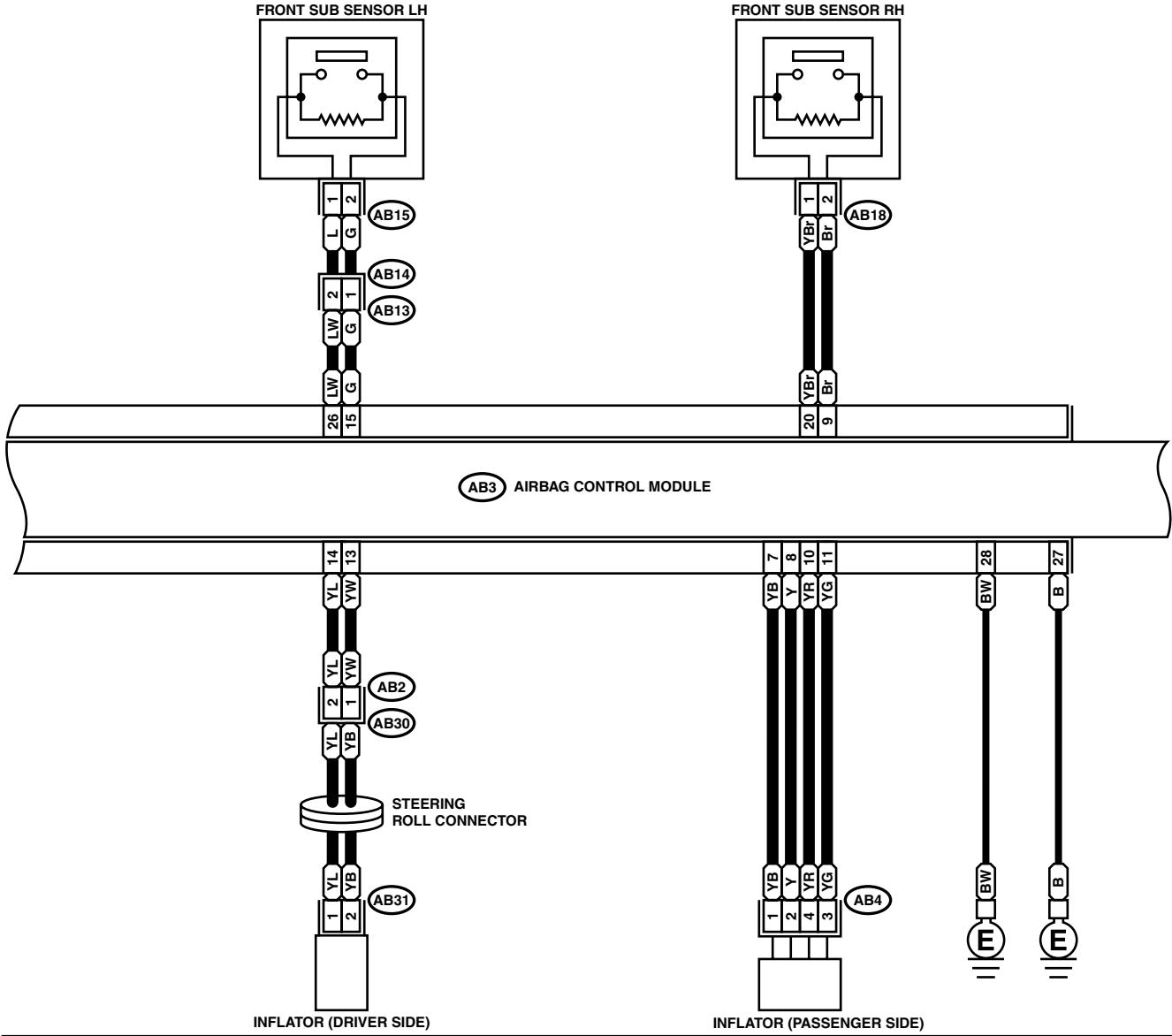
- | | | |
|--|-------------------------------|------------------------------------|
| (1) Front sub sensor (LH) | (7) Roll connector | (14) Side airbag inflator (LH) |
| (2) Front sub sensor (RH) | (8) Airbag main harness | (15) Side airbag inflator (RH) |
| (3) Front sub sensor harness (LH) | (9) Driver's airbag inflator | (16) Lap pretensioner |
| (4) Front sub sensor harness (RH) | (10) Side airbag harness (LH) | (a) To body harness |
| (5) Airbag control module with built-in safety and electric sensor | (11) Side airbag harness (RH) | (b) To seat belt pretensioner (LH) |
| (6) Passenger's airbag inflator | (12) Side airbag sensor (LH) | (c) To seat belt pretensioner (RH) |
| | (13) Side airbag sensor (RH) | |

Connector No.	(AB1)	(AB2)	(AB3)	(AB4)	(AB7)	(AB8)	(AB9)	(AB10)	(AB11)	(AB12)	(AB13)	(AB14)
Pole	6	2	28	4	12	12	2	4	2	4	2	2
Color	Yellow	Yellow	Yellow	Yellow	Yellow	Yellow	Yellow	Yellow	Yellow	Yellow	Yellow	Yellow
Male/Female	Male	Female	Female	Female	Female	Female	Female	Female	Female	Female	Female	Male

Connector No.	(AB15)	(AB18)	(AB19)	(AB20)	(AB25)	(AB27)	(AB28)	(AB29)	(AB30)	(AB31)		
Pole	2	2	2	2	2	4	2	2	2	2		
Color	Yellow	Yellow	Yellow	Yellow	Orange	Yellow	Yellow	Yellow	Yellow	Black		
Male/Female	Female	Female	Female	Female	Female	Male	Male	Male	Male	Female		

A/B CONTROL MODULE I/O SIGNAL

AIRBAG SYSTEM (DIAGNOSTICS)



AB2 (YELLOW)
AB13 (YELLOW)
AB31 (YELLOW)

AB15 (YELLOW)
AB18 (YELLOW)

AB4 (YELLOW)

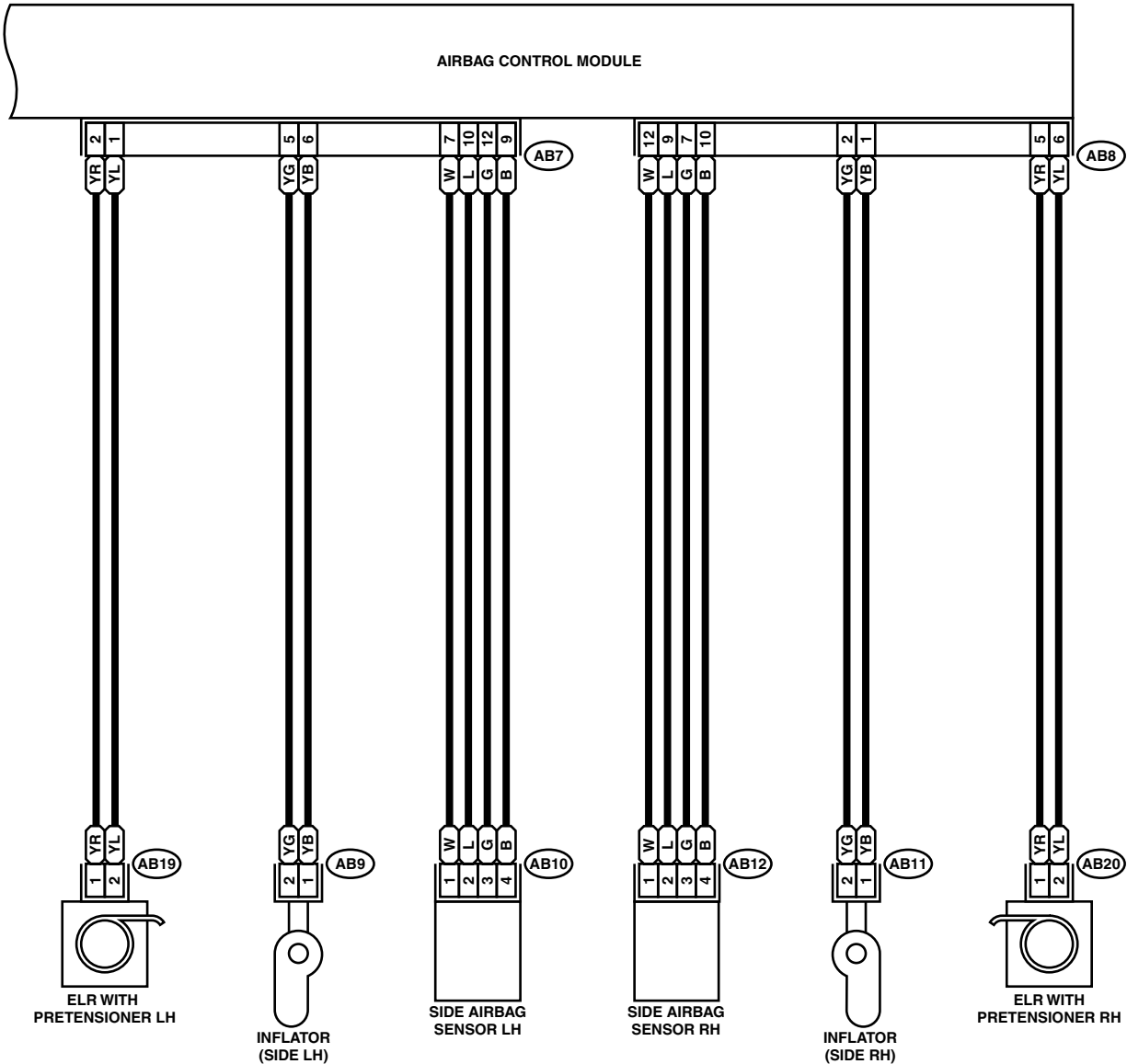
AB3 (YELLOW)

AB31 (BLACK)

AB-00205

A/B CONTROL MODULE I/O SIGNAL

AIRBAG SYSTEM (DIAGNOSTICS)



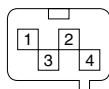
(YELLOW) AB9 (YELLOW) AB19

(YELLOW) AB11 (YELLOW) AB20



AB10 (YELLOW)

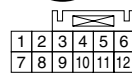
AB12 (YELLOW)



AB7 (YELLOW)



AB8 (YELLOW)

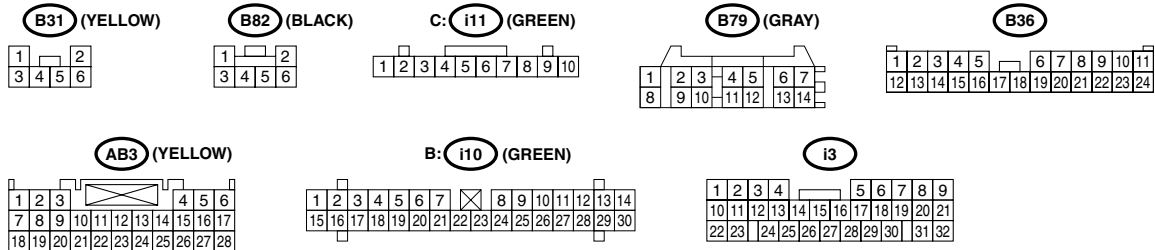
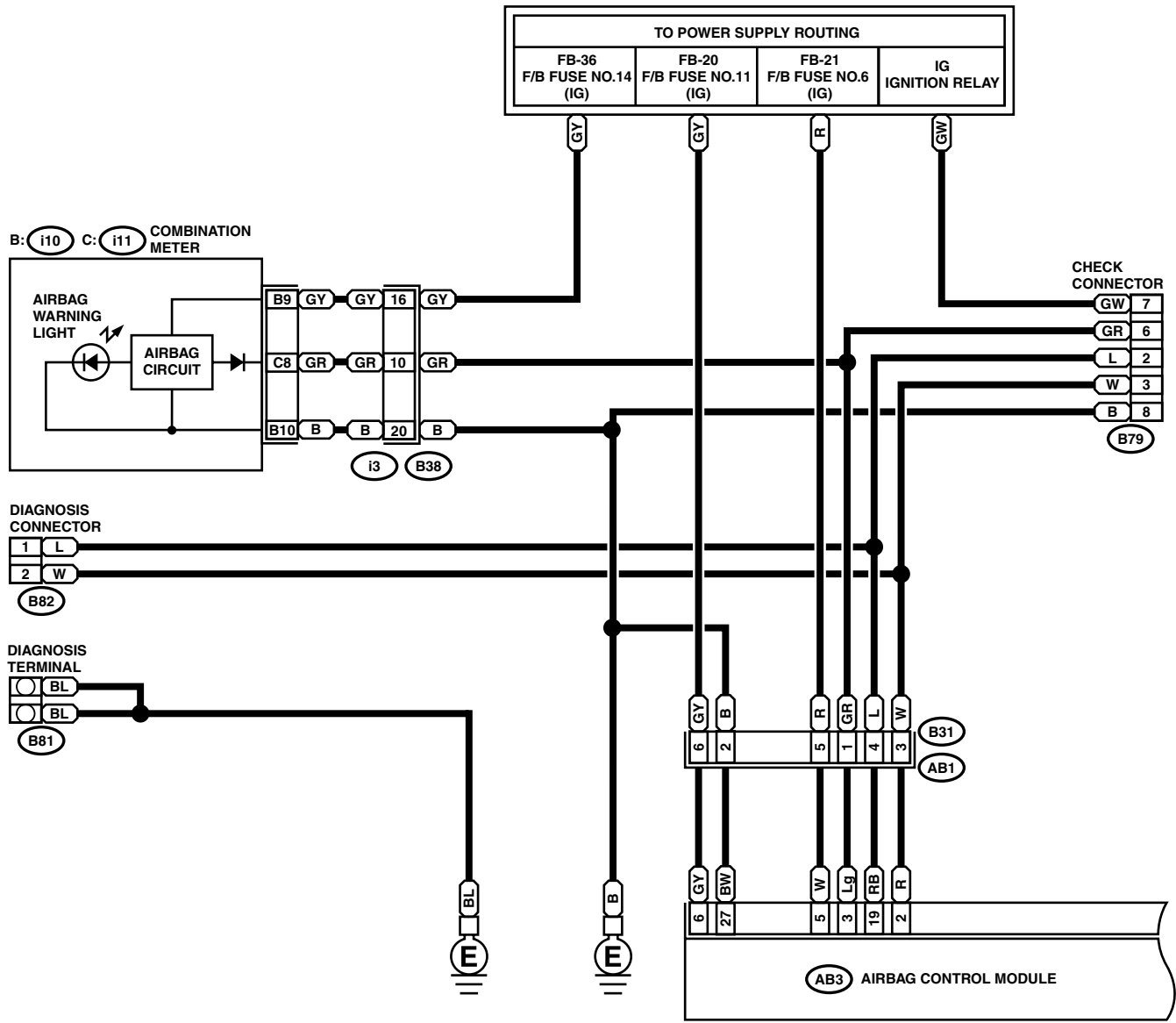


AB-00318

A/B CONTROL MODULE I/O SIGNAL

AIRBAG SYSTEM (DIAGNOSTICS)

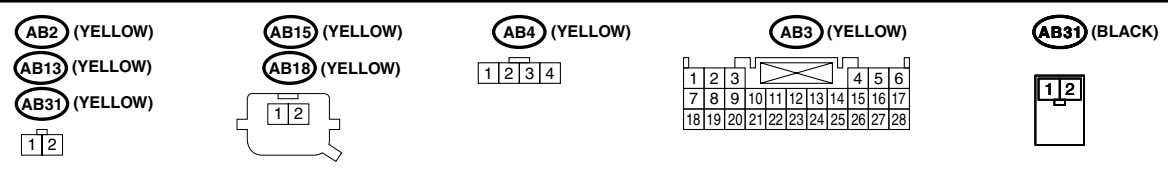
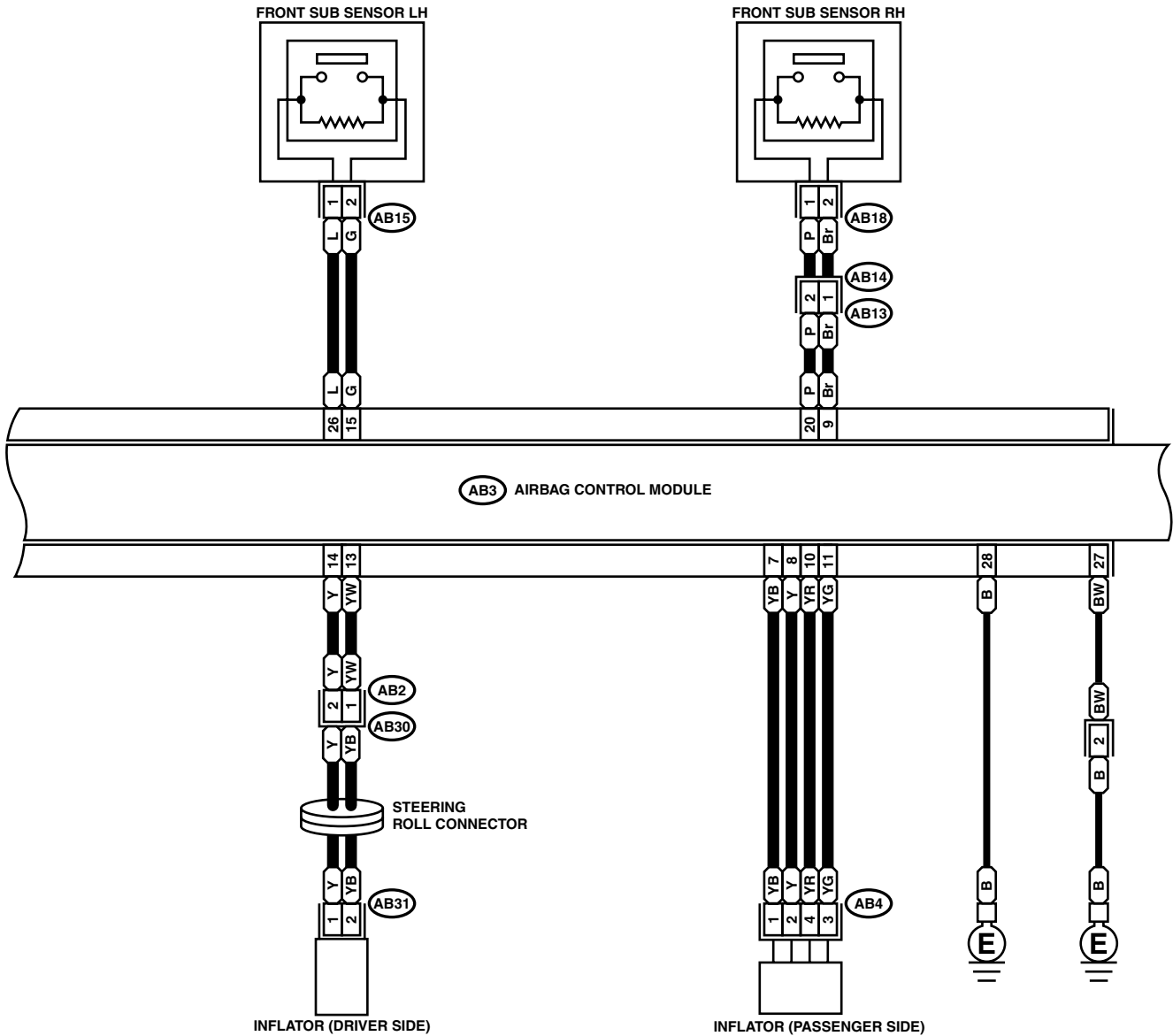
2. RHD MODEL



AB-00201

A/B CONTROL MODULE I/O SIGNAL

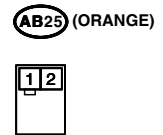
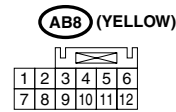
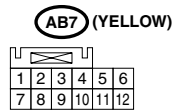
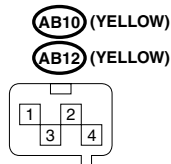
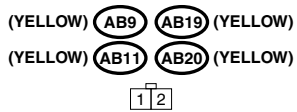
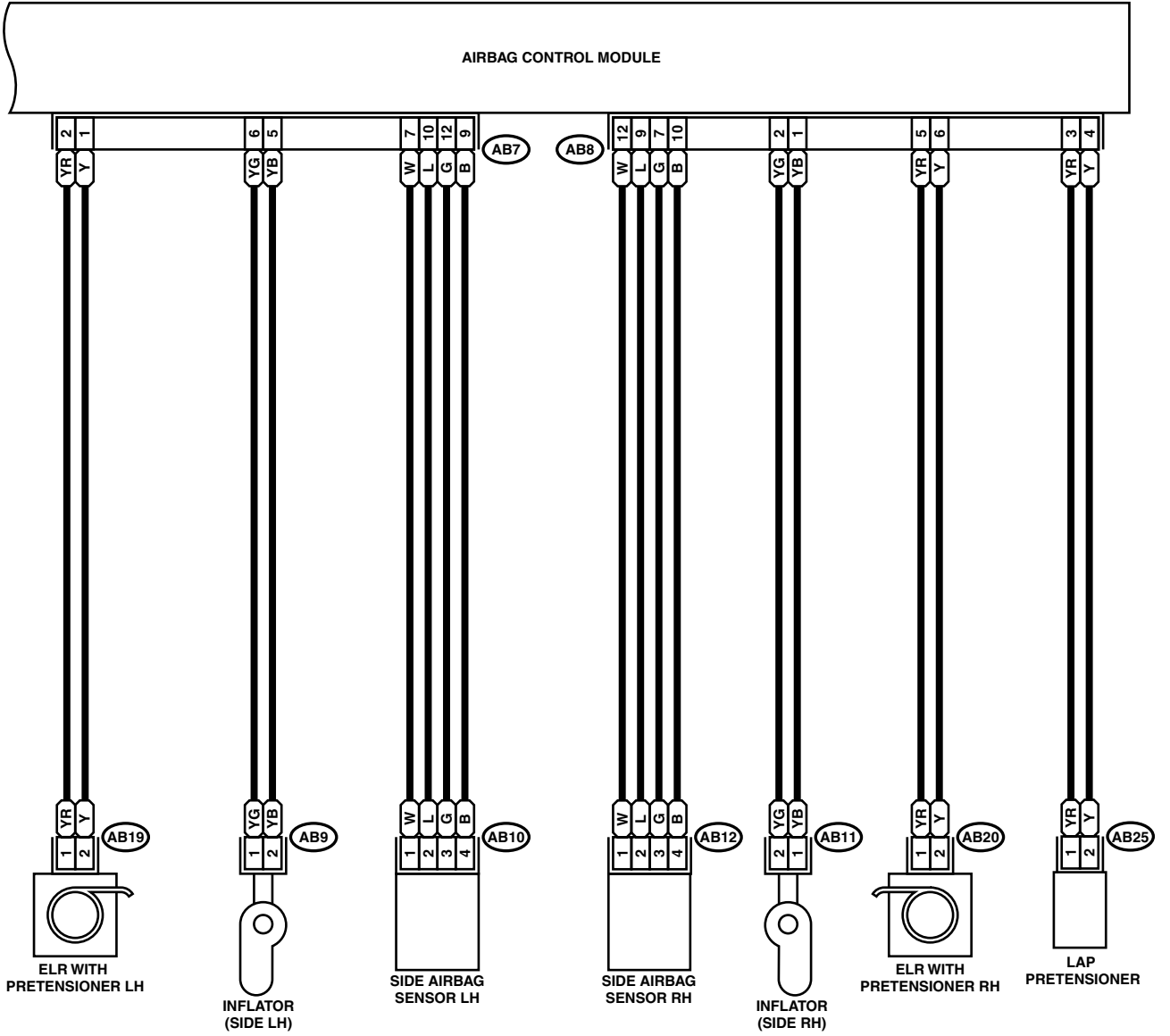
AIRBAG SYSTEM (DIAGNOSTICS)



AB-00202

A/B CONTROL MODULE I/O SIGNAL

AIRBAG SYSTEM (DIAGNOSTICS)



AB-00203

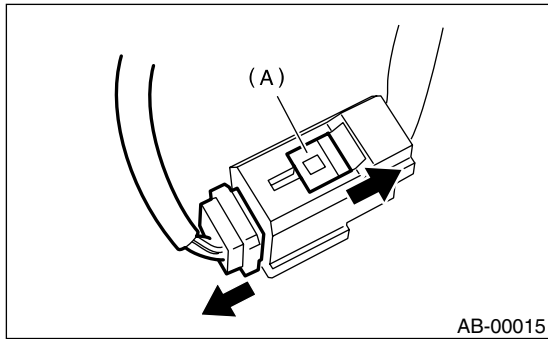
6. Airbag Connector

A: OPERATION

1. POWER SUPPLY

1) How to disconnect:

- (1) Move the slide lock (A) in the direction of the arrow.
- (2) Pull the female connector in the direction of the arrow with slide lock (A) moved.

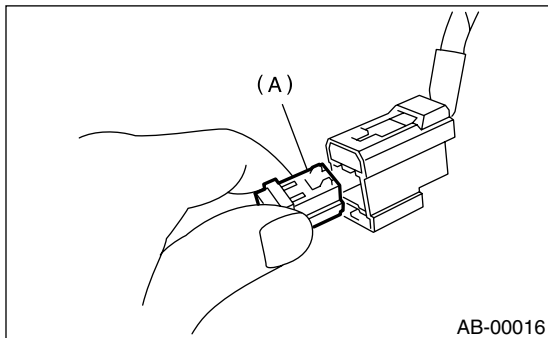


CAUTION:

When pulling, be sure to hold onto the connector and not the wire.

2) How to connect:

Holding the connector (A), and push it in carefully until a connecting sound is heard.



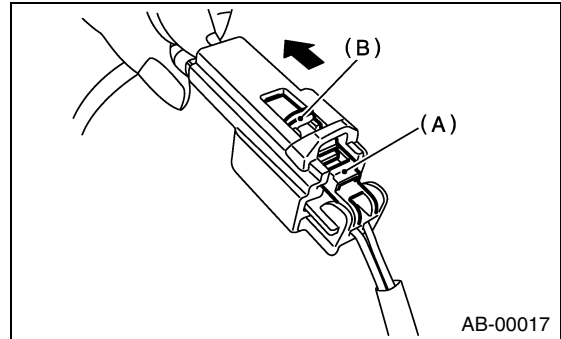
CAUTION:

Be sure to insert the connector in until it locks. Then pull on it gently to make sure that it is locked.

2. DRIVER'S AIRBAG (AIRBAG MAIN HARNESS AND ROLL CONNECTOR), SIDE AIRBAG AND PRETENSIONER

1) How to disconnect:

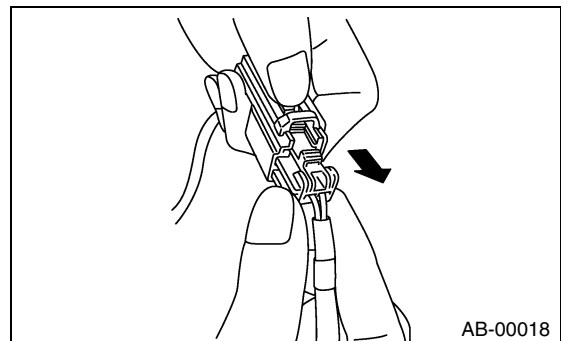
- (1) Push the lock arm (A).
- (2) With the lock arm (A) pushed in, move the slide lock (B) in the direction of the arrow.



- (3) With the slide lock (B) pulled, remove the lock arm (A) to its original position, and then pull in the direction of the arrow and separate the connector.

CAUTION:

When pulling, be sure to hold onto the connector and not the wire.

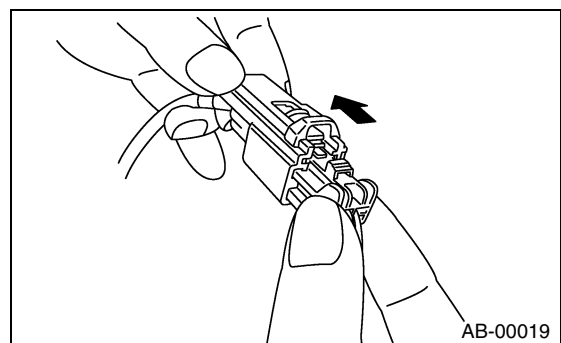


2) How to connect:

Holding the connector, and push it in carefully until a connecting sound is heard.

CAUTION:

Be sure to insert the connector in until it locks. Then pull on it gently to make sure that it is locked.



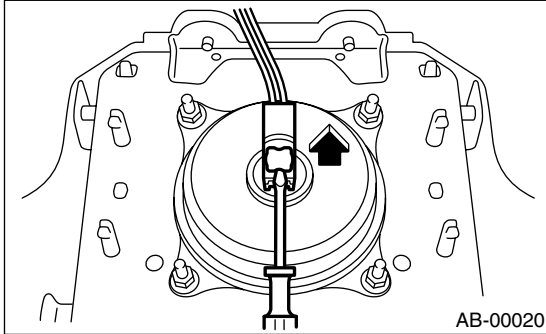
AIRBAG CONNECTOR

AIRBAG SYSTEM (DIAGNOSTICS)

3. DRIVER'S AIRBAG (ROLL CONNECTOR AND AIRBAG MODULE)

1) How to disconnect:

- (1) Using a flat tip screwdriver, pry the push lock upward to unlock.



- (2) Pull the connector to disconnect from driver's side airbag module assembly.

2) How to connect:

Connect the connector in reverse order of disconnecting. At this time, be sure to insert the connector in until connecting sound is heard.

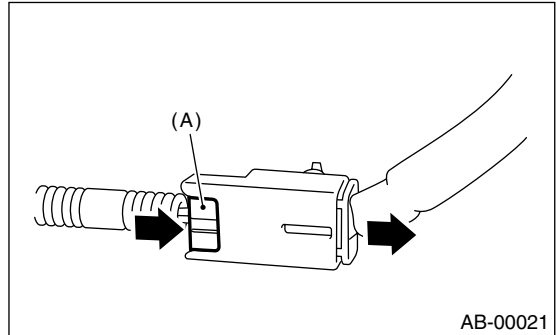
CAUTION:

Be sure to insert the connector in until it locks. Then pull on it gently to make sure that it is locked.

4. PASSENGER'S AIRBAG

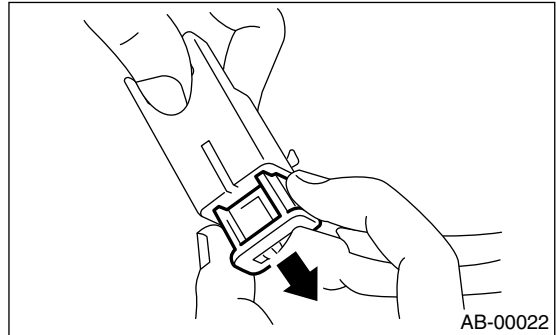
1) How to disconnect:

- (1) Push the lock arm (A).
- (2) With the lock arm (A) pushed in, pull the connector in direction of arrow to separate.



CAUTION:

When disconnecting the connector, be sure to hold onto the connector and not the wire.

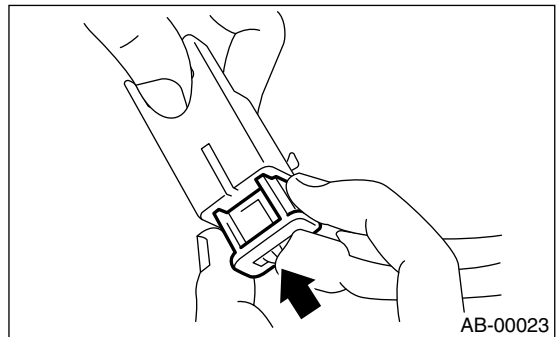


2) How to connect:

Holding the connector, and push it in carefully until a connecting sound is heard.

CAUTION:

Be sure to insert the connector in until it locks. Then pull on it gently to make sure that it is locked.



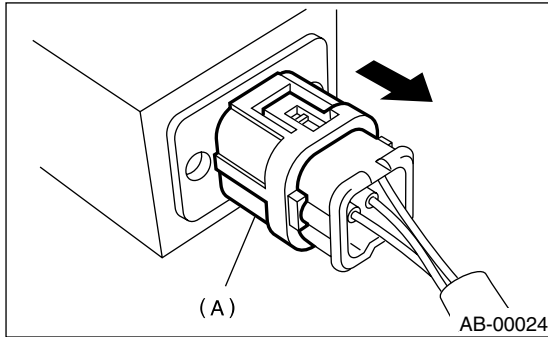
5. FRONT SUB-SENSOR AND SIDE AIRBAG SENSOR

1) How to disconnect:

Holding outer part (A), pull it in the direction of the arrow.

CAUTION:

When pulling, be sure to hold onto the connector and not the wire.

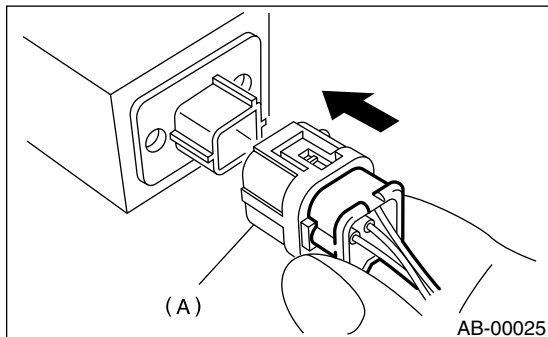


2) How to connect:

Holding the connector, and push it in carefully until a connecting sound is heard.

CAUTION:

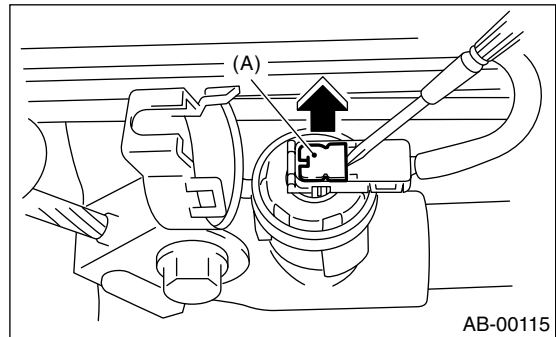
- Outer (A) moves back, and so do not put your hand on the outer part.
- Be sure to insert the connector in until it locks. Then pull on it gently to make sure that it is locked.



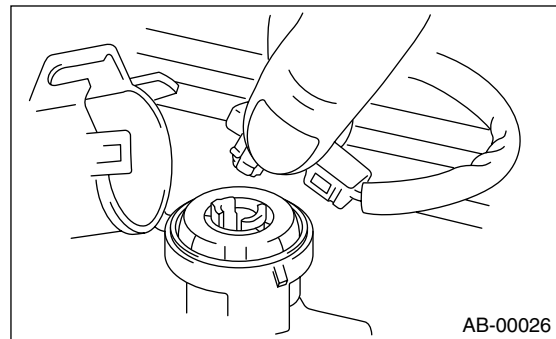
6. LAP PRETENSIONER

1) How to disconnect:

- (1) Using a flat tip screwdriver, pry the push lock (A) upward to unlock.



- (2) Pull the the connector to disconnect from lap pretensioner.



CAUTION:

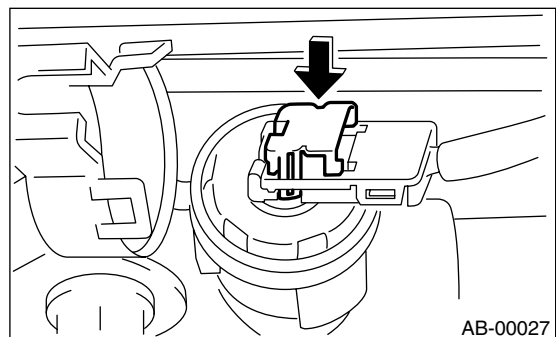
When pulling the side lock, be sure to hold onto the connector and not the wire.

2) How to connect:

Connect the connector in reverse order of disconnecting. At this time, be sure to insert the connector in until connecting sound is heard.

CAUTION:

- Be sure to insert the connector in until it locks.
- Then pull on it gently to make sure that it is locked.
- Be sure to push the push lock in.



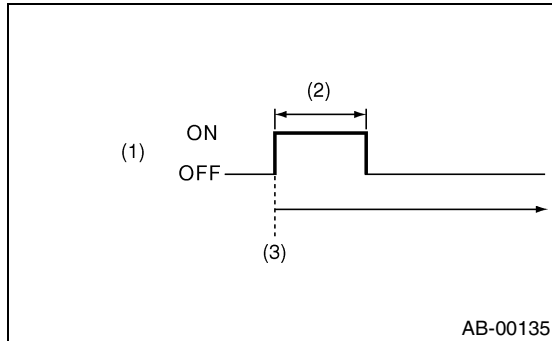
AIRBAG WARNING LIGHT ILLUMINATION PATTERN

AIRBAG SYSTEM (DIAGNOSTICS)

7. Airbag Warning Light Illumination Pattern

A: INSPECTION

Keep the ignition switch to ON, and confirm that the airbag warning light remains off approx. 6 seconds after being turned on.



- (1) Airbag warning light
- (2) Approx. 6 seconds
- (3) Ignition switch ON

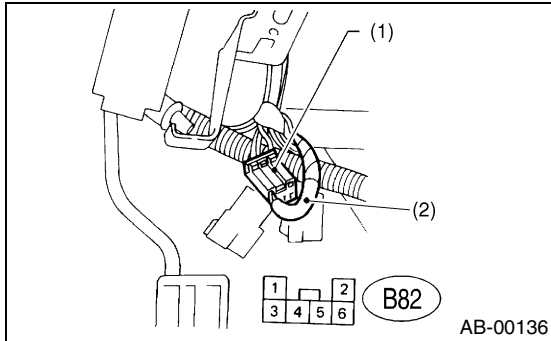
READ DIAGNOSTIC TROUBLE CODE (DTC)

AIRBAG SYSTEM (DIAGNOSTICS)

8. Read Diagnostic Trouble Code (DTC)

A: OPERATION

- 1) Turn the ignition switch to ON.
- 2) Connect the diagnosis terminal to diagnosis connector terminal No. 1 in the instrument panel lower cover area.



- (1) Diagnosis connector
(2) DIAG terminal

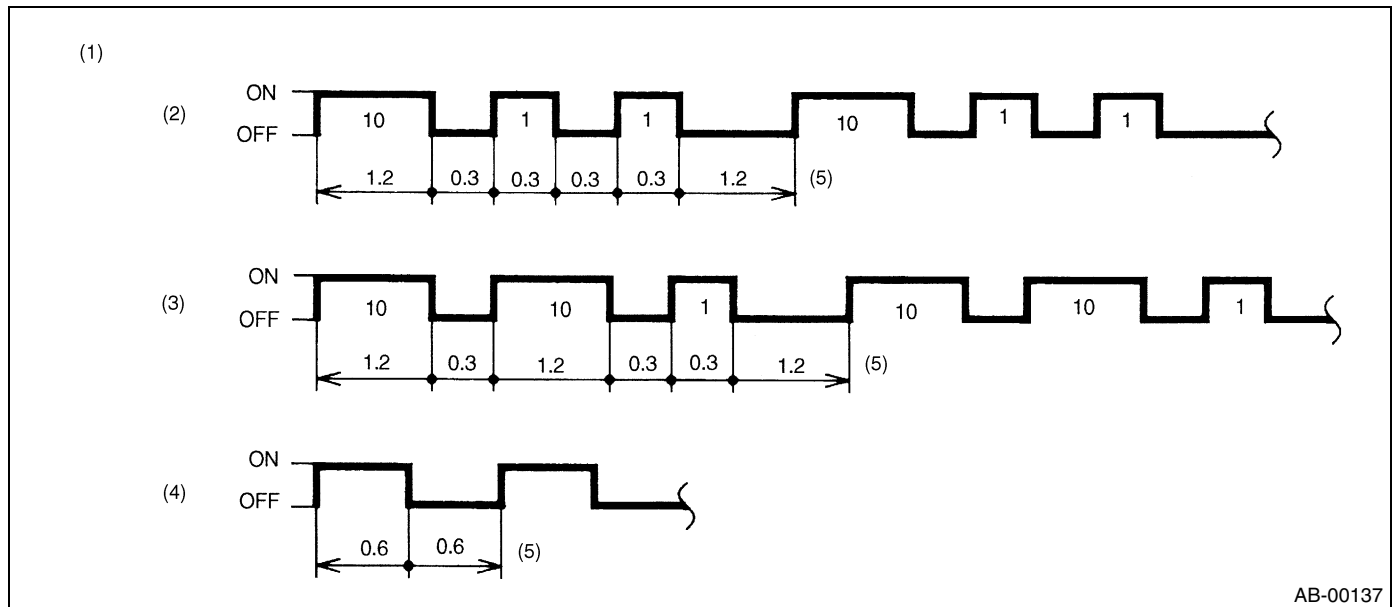
3) Read the DTC by identifying the way airbag warning light flashes.

The airbag warning light flashes a code corresponding to the faulty parts.

The long segment (1.2 sec on) indicates a “ten”, and the short segment (0.3 sec on) indicates a “one”.

NOTE:

- “List of Diagnostic Trouble Code” <Ref. to AB-44, List of Diagnostic Trouble Code (DTC).>
- “Airbag Warning Light Failure” <Ref. to AB-34, Airbag Warning Light Failure.>



- (1) Example
(2) Flashing code 12:
(3) Flashing code 21:
(4) Flashing normal code:
(5) Sec

4) Turn the ignition switch to OFF, and disconnect the diagnosis terminal from the diagnosis connector terminal No 1.

5) Wind tape around the diagnosis terminal and return it to its original position.

9. Inspection Mode

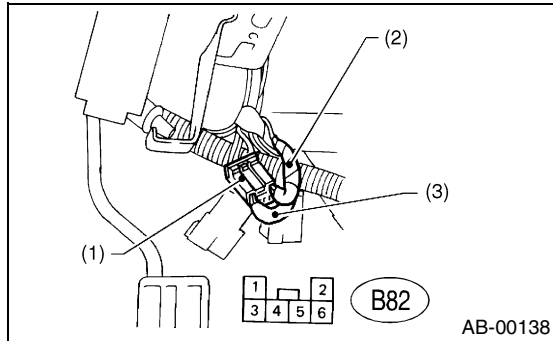
A: OPERATION

Recreate the circumstance by referring to the conditions described in the checklist.

10. Clear Memory Mode

A: OPERATION

- 1) Turn the ignition switch to ON.
- 2) Connect the diagnosis terminal (DIAG, terminal "A") to diagnosis connector terminal No. 1 in the instrument panel lower cover area.



- (1) Diagnosis connector
- (2) DIAG terminal "B"
- (3) DIAG terminal "A"

- 3) While the warning light flashes, connect another diagnosis terminal (DIAG, terminal "B") to diagnosis connector terminal No.2.
- 4) Once the memory is erased, the warning light returns to the normal flash rate (0.6 sec on). The failure to recover the normal flash rate indicates that trouble parts still remain. Having repaired such parts, erase the memory again and confirm that the normal flash rate has returned.
- 5) When the memory has been cleared, disconnect the diagnosis terminal from the diagnosis connector.
- 6) Wind tape around the diagnosis terminal and return it to its original position.

AIRBAG WARNING LIGHT FAILURE

AIRBAG SYSTEM (DIAGNOSTICS)

11. Airbag Warning Light Failure

A: AIRBAG WARNING LIGHT REMAINS ON.

DIAGNOSIS:

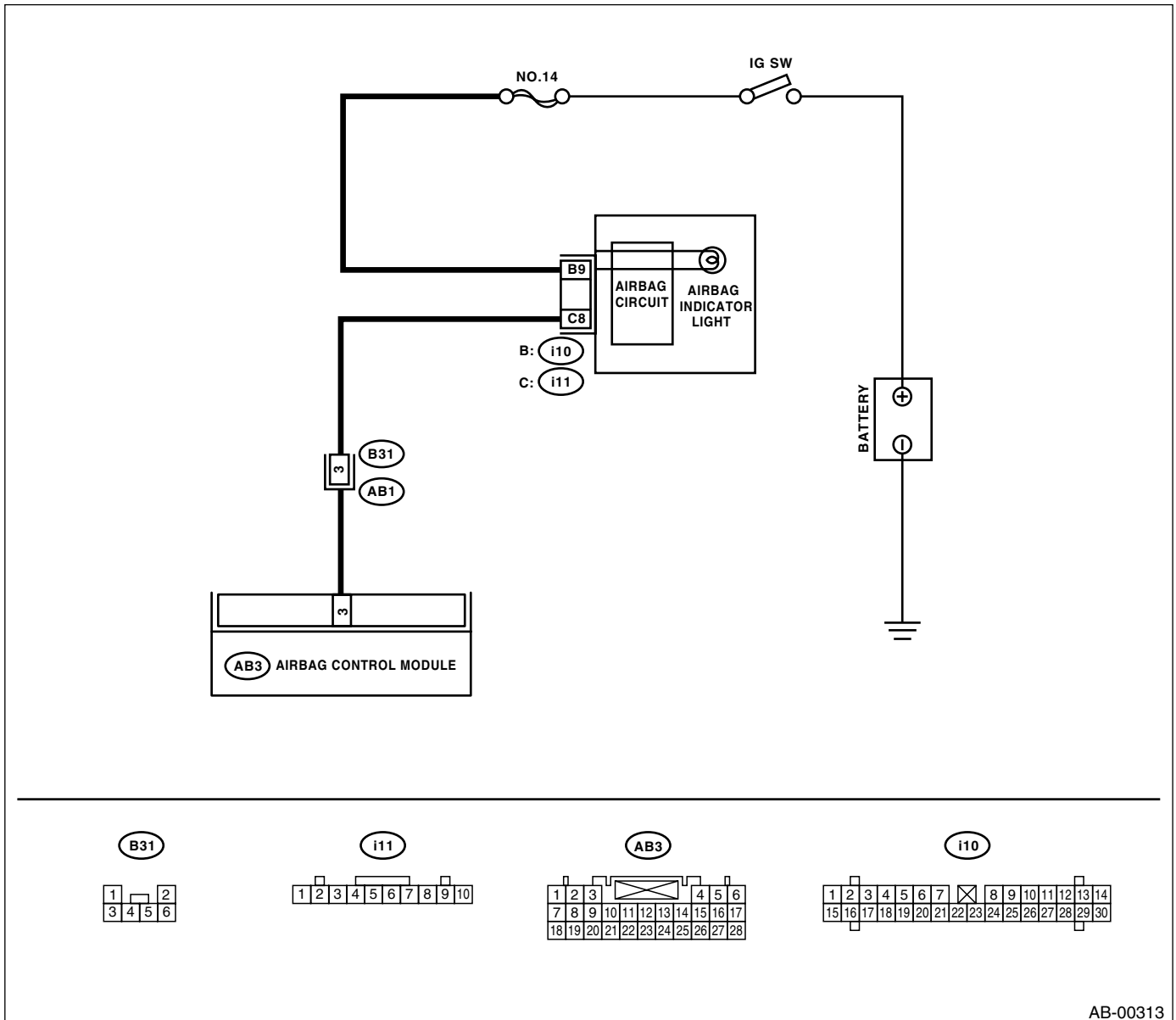
- Airbag warning light unit is faulty.
- Airbag control module to airbag warning light circuit is shorted or open.
- Grounding circuit is faulty.
- Airbag control module is faulty.
- (AB1) and (B31) are not connected properly.
- (AB3) is not connected properly to the airbag control module.

CAUTION:

- Before diagnosing the airbag system, be sure to turn the ignition switch to OFF, disconnect the ground cable from battery, and wait more than 20 seconds before starting to work.
- When inspecting the airbag main harness, disconnect the airbag module connector of the driver and passenger seats for safety reasons.

1. LHD MODEL

WIRING DIAGRAM:



AB-00313

AIRBAG WARNING LIGHT FAILURE

AIRBAG SYSTEM (DIAGNOSTICS)

Step	Value	Yes	No
<p>1 CHECK POOR CONTACT IN CONNECTORS (AB1) AND (B31). 1) Turn the ignition switch to OFF, disconnect the battery ground cable, and wait more than 20 seconds. 2) Remove the side sill cover. (Driver's side) 3) Confirm that firm contact is secured between connectors (AB1) and (B31). Is the poor contact in connectors (AB1) and (B31)?</p>	There is no poor contact in connectors (AB1) and (B31).	Go to step 2.	Repair the body harness or replace the airbag main harness with body harness.
<p>2 CHECK AIRBAG WARNING LIGHT. 1) Turn the ignition switch to OFF, disconnect the battery ground cable, and wait more than 20 seconds. 2) Connect the connector (1T) in test harness T to body harness connector (B31). 3) Connect the connector (1M) in test harness M to connector (2T) in test harness T. 4) Connect the battery ground cable and turn the ignition switch to ON. 5) Connect the connectors, (3M) and (4M) in test harness M. Is the airbag warning light turned off?</p>	Airbag warning light is turned off.	Go to step 4.	Go to step 3.
<p>3 CHECK BODY HARNESS. Check the body harness. Is there anything unusual about the body harness? NOTE: After the problem has been eliminated, disconnect the connectors (3M) and (4M).</p>	Body harness is OK.	Replace the combination meter printed circuit. <Ref. to IDI-12, Combination Meter Assembly.>	Repair the body harness.
<p>4 CHECK POOR CONTACT. Confirm that firm contact is secured between the airbag control module and the connector (AB3). <Ref. to AB-18, Airbag Control Module.> Is there poor contact in connector (AB3)?</p>	There is no poor contact in connector (AB3).	Go to step 5.	Replace the airbag main harness with body harness or replace the airbag control module. <Ref. to AB-18, Airbag Control Module.>
<p>5 CHECK AIRBAG MAIN HARNESS. 1) Turn the ignition switch to OFF, disconnect the battery ground cable, and wait more than 20 seconds. 2) Connect the connector (AB1) to (B31). 3) Disconnect the connectors (AB2) and (AB30). 4) Remove the glove box and disconnect the connectors (AB4) and (AB27). 5) Disconnect the connector (AB3) from the airbag control module, and connect the connector (1R) in test harness R. <Ref. to AB-18, Airbag Control Module.> 6) Connect the battery ground cable and turn the ignition switch to ON. 7) Connect the connectors (5R) and (6R) in test harness R. Is the airbag warning light turned off? NOTE: After the problem has been eliminated, disconnect the connectors (5R) and (6R).</p>	Airbag warning light is turned off.	Go to step 6.	Replace the airbag main harness with body harness.

AIRBAG WARNING LIGHT FAILURE

AIRBAG SYSTEM (DIAGNOSTICS)

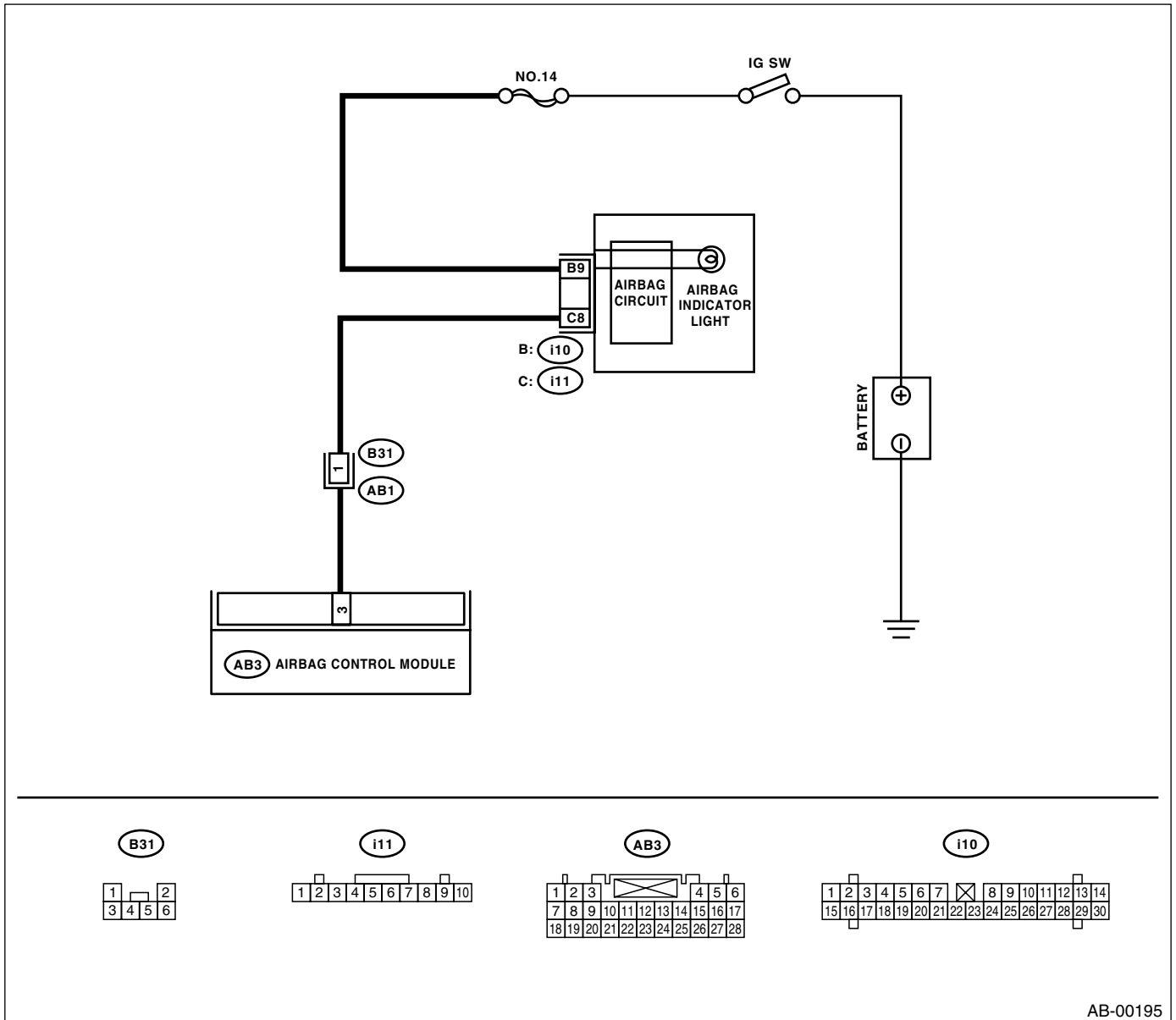
Step	Value	Yes	No
<p>6 CHECK GROUNDING CIRCUIT. 1) Turn the ignition switch to OFF, disconnect the battery ground cable, and wait more than 20 seconds. 2) Disconnect the connector (AB3) from the airbag control module. 3) Connect the connector (1R) in test harness R to body harness connector (AB3). 4) Measure the resistance between connector (2R) in test harness R and the chassis ground.</p> <p>Connector & terminal (2R) No. 10 — Chassis ground: (2R) No. 11 — Chassis ground:</p> <p>Is the measured value less than specified value?</p>	10 Ω	Replace the airbag control module. <Ref. to AB-18, Airbag Control Module.>	Repair the body-grounding circuit.

AIRBAG WARNING LIGHT FAILURE

AIRBAG SYSTEM (DIAGNOSTICS)

2. RHD MODEL

WIRING DIAGRAM:



	Step	Value	Yes	No
1	<p>CHECK POOR CONTACT IN CONNECTORS (AB1) AND (B31).</p> <p>1) Turn the ignition switch to OFF, disconnect the battery ground cable, and wait more than 20 seconds.</p> <p>2) Remove the side sill cover. (Driver's side)</p> <p>3) Confirm that firm contact is secured between connectors (AB1) and (B31).</p> <p>Is the poor contact in connectors (AB1) and (B31)?</p>	<p>There is no poor contact in connectors (AB1) and (B31).</p>	<p>Go to step 2.</p>	<p>Repair the body harness or replace the airbag main harness with body harness.</p>

AIRBAG WARNING LIGHT FAILURE

AIRBAG SYSTEM (DIAGNOSTICS)

Step	Value	Yes	No
<p>2 CHECK AIRBAG WARNING LIGHT. 1) Turn the ignition switch to OFF, disconnect the battery ground cable, and wait more than 20 seconds. 2) Connect the connector (1M) in test harness M to body harness connector (B31). 3) Connect the battery ground cable and turn the ignition switch to ON. 4) Connect the connectors, (3M) and (4M) in test harness M. Is the airbag warning light turned off?</p>	Airbag warning light is turned off.	Go to step 4.	Go to step 3.
<p>3 CHECK BODY HARNESS. Check the body harness. Is there anything unusual to body harness? NOTE: After problem has been eliminated, disconnect the connectors (3M) and (4M).</p>	Body harness is OK.	Replace the combination meter printed circuit. <Ref. to IDI-12, Combination Meter Assembly.>	Repair the body harness.
<p>4 CHECK POOR CONTACT. Confirm that firm contact is secured between the airbag control module and the connector (AB3). <Ref. to AB-18, Airbag Control Module.> Is there poor contact in connector (AB3)?</p>	There is no poor contact in connector (AB3).	Go to step 5.	Replace the airbag main harness with body harness or replace the airbag control module. <Ref. to AB-18, Airbag Control Module.>
<p>5 CHECK AIRBAG MAIN HARNESS. 1) Turn the ignition switch to OFF, disconnect the battery ground cable, and wait more than 20 seconds. 2) Connect the connector (AB1) to (B31). 3) Disconnect the connectors (AB2) and (AB30). 4) Remove the glove box and disconnect the connectors (AB4) and (AB27). 5) Disconnect the connector (AB3) from the airbag control module, and connect the connector (1R) in test harness R. <Ref. to AB-18, Airbag Control Module.> 6) Connect the battery ground cable and turn the ignition switch to ON. 7) Connect the connectors (5R) and (6R) in test harness R. Is the airbag warning light turned off? NOTE: After problem has been eliminated, disconnect the connectors (5R) and (6R).</p>	Airbag warning light is turned off.	Go to step 6.	Replace the airbag main harness with body harness.

AIRBAG WARNING LIGHT FAILURE

AIRBAG SYSTEM (DIAGNOSTICS)

Step	Value	Yes	No
<p>6 CHECK GROUNDING CIRCUIT. 1) Turn the ignition switch to OFF, disconnect the battery ground cable, and wait more than 20 seconds. 2) Disconnect the connector (AB3) from the airbag control module. 3) Connect the connector (1R) in test harness R to body harness connector (AB3). 4) Measure the resistance between connector (2R) in test harness R and the chassis ground. Connector & terminal (2R) No. 10 — Chassis ground: (2R) No. 11 — Chassis ground: Is the measured value less than specified value?</p>	10 Ω	Replace the airbag control module. <Ref. to AB-18, Airbag Control Module.>	Repair the body-grounding circuit.

AIRBAG WARNING LIGHT FAILURE

AIRBAG SYSTEM (DIAGNOSTICS)

B: AIRBAG WARNING LIGHT REMAINS OFF.

DIAGNOSIS:

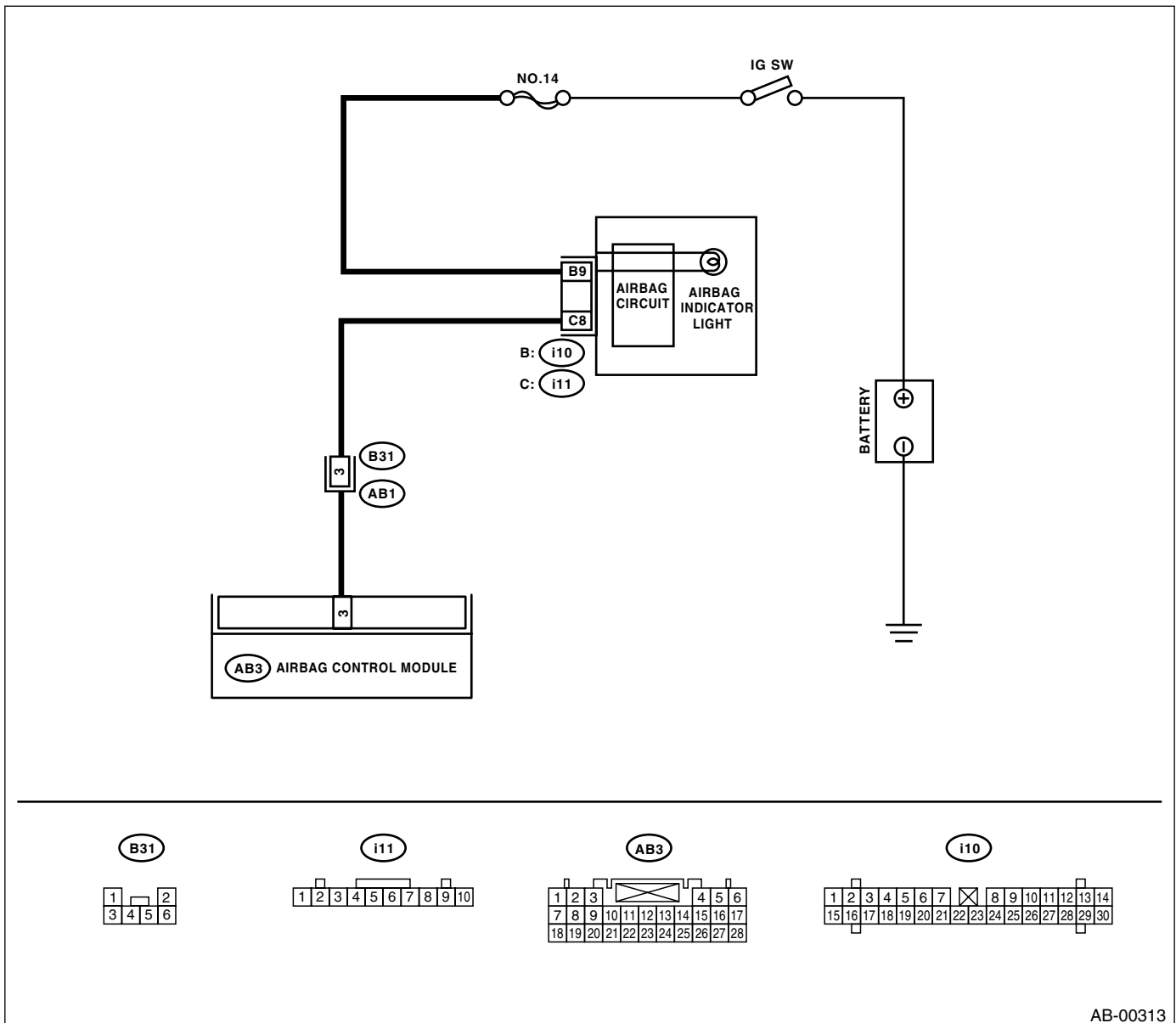
- Fuse No. 14 (in fuse box) is blown.
- Body harness circuit is open.
- Airbag warning light is faulty.
- Airbag main harness is faulty.
- Airbag control module is faulty.

CAUTION:

- Before diagnosing the airbag system, be sure to turn the ignition switch to OFF, disconnect the ground cable from battery, and wait more than 20 seconds before starting to work.
- When inspecting the airbag main harness, disconnect the airbag module connector of the driver and passenger seats for safety reasons.

1. LHD MODEL

WIRING DIAGRAM:



AB-00313

AIRBAG WARNING LIGHT FAILURE

AIRBAG SYSTEM (DIAGNOSTICS)

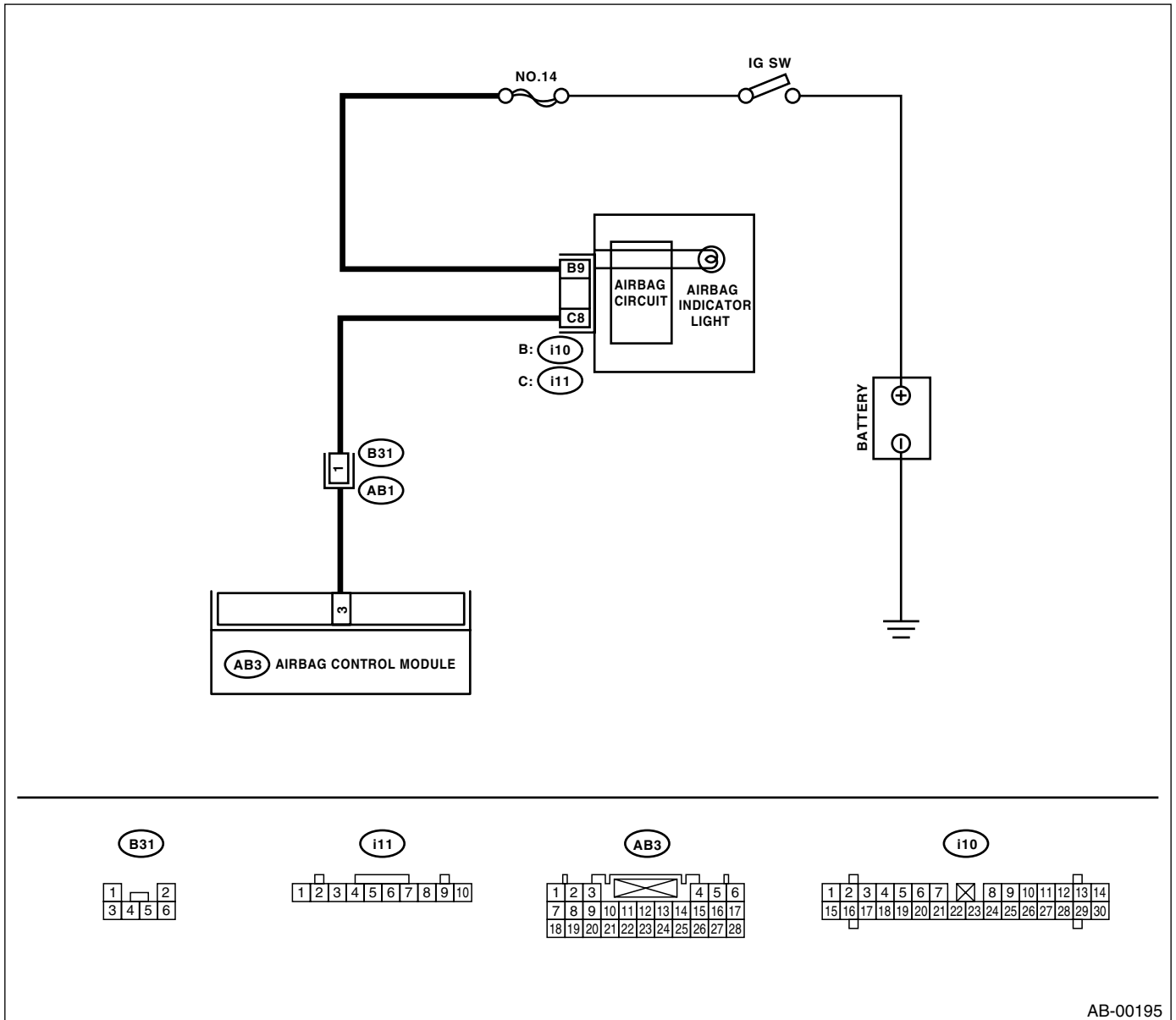
Step	Value	Yes	No
1 CHECK COMBINATION METER. Turn the ignition switch to ON, and confirm that warning lights equipped in the combination meter are turned on. Do the warning lights not for airbag turn on?	Warning lights not for airbag turned on.	Go to step 2.	Repair the combination meter power supply. <Ref. to IDI-3, Combination Meter System.>
2 CHECK FUSE NO. 14 (IN MAIN FUSE BOX). Remove the fuse No. 14 and perform visual inspection. Is the fuse No. 14 (in main fuse box) blown out?	Fuse No. 14 is not blown out.	Go to step 3.	Replace the fuse No. 14. If fuse No. 14 blows again, go to step 3.
3 CHECK AIRBAG WARNING LIGHT CIRCUIT (IN COMBINATION METER). 1) Turn the ignition switch to OFF, disconnect the battery ground cable, and wait more than 20 seconds. 2) Disconnect the connector (AB1) from (B31). 3) Connect the battery ground cable and turn the ignition switch to ON. Is the airbag warning light turned on?	Airbag warning light is turned on.	Go to step 4.	Replace the airbag warning light bulb or combination meter printed circuit. <Ref. to IDI-12, Combination Meter Assembly.>
4 CHECK AIRBAG MAIN HARNESS. 1) Turn the ignition switch to OFF, disconnect the battery ground cable, and wait more than 20 seconds. 2) Connect the connector (AB1) to (B31). 3) Disconnect the connector (AB3) from the airbag control module. <Ref. to AB-18, Airbag Control Module.> 4) Connect the battery ground cable and turn the ignition switch to ON. Is the airbag warning light turned on?	Airbag warning light is turned on.	Replace the airbag control module. <Ref. to AB-18, Airbag Control Module.>	Replace the airbag main harness with body harness.

AIRBAG WARNING LIGHT FAILURE

AIRBAG SYSTEM (DIAGNOSTICS)

2. RHD MODEL

WIRING DIAGRAM:



AB-00195

AIRBAG WARNING LIGHT FAILURE

AIRBAG SYSTEM (DIAGNOSTICS)

Step	Value	Yes	No
1 CHECK COMBINATION METER. Turn the ignition switch to ON, and confirm that warning lights equipped in the combination meter are turned on. Do the warning lights not for airbag turn on?	Warning lights not for airbag turned on.	Go to step 2.	Repair the combination meter power supply. <Ref. to IDI-3, Combination Meter System.>
2 CHECK FUSE NO. 14 (IN MAIN FUSE BOX). Remove the fuse No. 14 and perform visual inspection. Is the fuse No. 14 (in main fuse box) blown out?	Fuse No. 14 is not blown out.	Go to step 3.	Replace the fuse No. 14. If fuse No. 14 blows again, go to step 3.
3 CHECK AIRBAG WARNING LIGHT CIRCUIT (IN COMBINATION METER). 1) Turn the ignition switch to OFF, disconnect the battery ground cable, and wait more than 20 seconds. 2) Disconnect the connector (AB1) from (B31). 3) Connect the battery ground cable and turn the ignition switch to ON. Is the airbag warning light turned on?	Airbag warning light is turned on.	Go to step 4.	Replace the airbag warning light bulb or combination meter printed circuit. <Ref. to IDI-12, Combination Meter Assembly.>
4 CHECK AIRBAG MAIN HARNESS. 1) Turn the ignition switch to OFF, disconnect the battery ground cable, and wait more than 20 seconds. 2) Connect the connector (AB1) to (B31). 3) Disconnect the connector (AB3) from the airbag control module. <Ref. to AB-18, Airbag Control Module.> 4) Connect the battery ground cable and turn the ignition switch to ON. Is the airbag warning light turned on?	Airbag warning light is turned on.	Replace the airbag control module. <Ref. to AB-18, Airbag Control Module.>	Replace the airbag main harness with body harness.

LIST OF DIAGNOSTIC TROUBLE CODE (DTC)

AIRBAG SYSTEM (DIAGNOSTICS)

12. List of Diagnostic Trouble Code (DTC)

A: LIST

DTC	Memory function	Contents of diagnosis	Index No.
11	Provided.	<ul style="list-style-type: none"> • Airbag harness is open, shorted or shorted to ground. • Airbag module harness (driver) circuit is open, shorted or shorted to ground. • Roll connector circuit is open, shorted or shorted to ground. • Airbag control module is faulty. • Driver's airbag module is faulty. 	<Ref. to AB-47, DTC 11, Diagnostic Chart with Trouble Code.>
12	Provided.	<ul style="list-style-type: none"> • Airbag harness is open, shorted or shorted to ground. • Airbag module harness (passenger) circuit is open, shorted or shorted to ground. • Airbag control module is faulty. • Passenger's airbag module is faulty. 	<Ref. to AB-50, DTC 12, Diagnostic Chart with Trouble Code.>
15	Provided.	<ul style="list-style-type: none"> • Airbag harness (driver) is shorted to power supply. • Airbag module harness (driver) is shorted to power supply. • Roll connector is shorted to power supply. • Airbag control module is faulty. • Driver's airbag module is faulty. 	<Ref. to AB-52, DTC 15, Diagnostic Chart with Trouble Code.>
16	Provided.	<ul style="list-style-type: none"> • Airbag harness (passenger) is shorted to power supply. • Airbag module harness (passenger) is shorted to power supply. • Airbag control module is faulty. • Passenger's airbag module is faulty. 	<Ref. to AB-54, DTC 16, Diagnostic Chart with Trouble Code.>
21	Provided.	Airbag control module is faulty.	<Ref. to AB-55, DTC 21, Diagnostic Chart with Trouble Code.>
22	Provided.	Front airbag module and seat belt pretensioner (LH/RH) are inflated.	<Ref. to AB-56, DTC 22, Diagnostic Chart with Trouble Code.>
23	Not provided.	(AB3), (AB7) and (AB8) are not connected properly to airbag control module.	<Ref. to AB-58, DTC 23, Diagnostic Chart with Trouble Code.>
24	Not provided.	<ul style="list-style-type: none"> • Airbag control module is faulty. • Airbag harness is open. • Fuse No. 11 (in joint box) is blown. • Body harness circuit is open. 	<Ref. to AB-59, DTC 24, Diagnostic Chart with Trouble Code.>
25	Provided.	<ul style="list-style-type: none"> • Airbag control module is faulty. • Airbag harness is open. • Fuse No. 6 (in joint box) is blown. • Body harness circuit is open. 	<Ref. to AB-63, DTC 25, Diagnostic Chart with Trouble Code.>
31	Provided.	<ul style="list-style-type: none"> • Front sub-sensor harness (RH) circuit is shorted, opened or shorted to power supply. • Airbag harness is shorted, opened or shorted to power supply. • Front sub-sensor (RH) is faulty. • Airbag control module is faulty. 	<Ref. to AB-67, DTC 31, Diagnostic Chart with Trouble Code.>

LIST OF DIAGNOSTIC TROUBLE CODE (DTC)

AIRBAG SYSTEM (DIAGNOSTICS)

DTC	Memory function	Contents of diagnosis	Index No.
32	Provided.	<ul style="list-style-type: none"> • Front sub-sensor harness (LH) circuit is shorted, opened or shorted to power supply. • Airbag harness is shorted, opened or shorted to power supply. • Front sub-sensor (LH) is faulty. • Airbag control module is faulty. 	<Ref. to AB-70, DTC 32, Diagnostic Chart with Trouble Code.>
41	Provided.	<ul style="list-style-type: none"> • Airbag harness is faulty. • Side airbag module (RH) is faulty. • Airbag control module is faulty. 	<Ref. to AB-73, DTC 41, Diagnostic Chart with Trouble Code.>
42	Provided.	<ul style="list-style-type: none"> • Airbag harness is faulty. • Side airbag module (LH) is faulty. • Airbag control module is faulty. 	<Ref. to AB-75, DTC 42, Diagnostic Chart with Trouble Code.>
45	Provided.	<ul style="list-style-type: none"> • Airbag harness is shorted to power supply. • Side airbag module (RH) is faulty. • Airbag control module is faulty. 	<Ref. to AB-77, DTC 45, Diagnostic Chart with Trouble Code.>
46	Provided.	<ul style="list-style-type: none"> • Airbag harness is shorted to power supply. • Side airbag module (LH) is faulty. • Airbag control module is faulty. 	<Ref. to AB-79, DTC 46, Diagnostic Chart with Trouble Code.>
51	Provided.	<ul style="list-style-type: none"> • Side airbag sensor (RH) is faulty. • Airbag harness is faulty. • Airbag control module is faulty. 	<Ref. to AB-81, DTC 51, Diagnostic Chart with Trouble Code.>
52	Provided.	<ul style="list-style-type: none"> • Side airbag sensor (LH) is faulty. • Airbag harness is faulty. • Airbag control module is faulty. 	<Ref. to AB-83, DTC 52, Diagnostic Chart with Trouble Code.>
53	Provided.	Side airbag sensor (RH) is faulty.	<Ref. to AB-85, DTC 53, Diagnostic Chart with Trouble Code.>
54	Provided.	Side airbag sensor (LH) is faulty.	<Ref. to AB-85, DTC 54, Diagnostic Chart with Trouble Code.>
55	Provided.	Side airbag module is inflated.	<Ref. to AB-85, DTC 55, Diagnostic Chart with Trouble Code.>
61	Provided.	<ul style="list-style-type: none"> • Seat belt pretensioner (RH) circuit is open, shorted or shorted to ground. • Airbag control module is faulty. • Pretensioner is faulty. • Airbag harness is faulty. 	<Ref. to AB-86, DTC 61, Diagnostic Chart with Trouble Code.>
62	Provided.	<ul style="list-style-type: none"> • Seat belt pretensioner (LH) circuit is open, shorted or shorted to ground. • Airbag control module is faulty. • Pretensioner is faulty. • Airbag harness is faulty. 	<Ref. to AB-88, DTC 62, Diagnostic Chart with Trouble Code.>
65	Provided.	<ul style="list-style-type: none"> • Seat belt pretensioner (RH) circuit is shorted to power supply. • Pretensioner is faulty. • Airbag harness is faulty. • Airbag control module is faulty. 	<Ref. to AB-90, DTC 65, Diagnostic Chart with Trouble Code.>
66	Provided.	<ul style="list-style-type: none"> • Seat belt pretensioner (LH) circuit is shorted to power supply. • Pretensioner is faulty. • Airbag harness is faulty. • Airbag control module is faulty. 	<Ref. to AB-92, DTC 66, Diagnostic Chart with Trouble Code.>

LIST OF DIAGNOSTIC TROUBLE CODE (DTC)

AIRBAG SYSTEM (DIAGNOSTICS)

DTC	Memory function	Contents of diagnosis	Index No.
72	Provided.	<ul style="list-style-type: none">• Airbag harness is open, shorted or shorted to ground.• Airbag module harness (passenger) circuit is open, shorted or shorted to ground.• Airbag control module is faulty.• Passenger's airbag module is faulty.	<Ref. to AB-94, DTC 72, Diagnostic Chart with Trouble Code.>
76	Provided.	<ul style="list-style-type: none">• Airbag harness (passenger) is shorted or shorted to power supply.• Airbag module harness (passenger) is shorted to power supply.• Airbag control module is faulty.• Passenger's airbag module is faulty.	<Ref. to AB-96, DTC 76, Diagnostic Chart with Trouble Code.>
81	Provided.	<ul style="list-style-type: none">• Lap seat belt pretensioner (RH) circuit is open, shorted or shorted to ground.• Lap pretensioner is faulty.• Airbag harness is faulty.• Airbag control module is faulty.	<Ref. to AB-98, DTC 81, Diagnostic Chart with Trouble Code.>
85	Provided.	<ul style="list-style-type: none">• Lap seat belt pretensioner (RH) circuit is shorted to power supply.• Lap pretensioner is faulty.• Airbag harness is faulty.• Airbag control module is faulty.	<Ref. to AB-100, DTC 85, Diagnostic Chart with Trouble Code.>

DIAGNOSTIC CHART WITH TROUBLE CODE

AIRBAG SYSTEM (DIAGNOSTICS)

13. Diagnostic Chart with Trouble Code

A: DTC 11

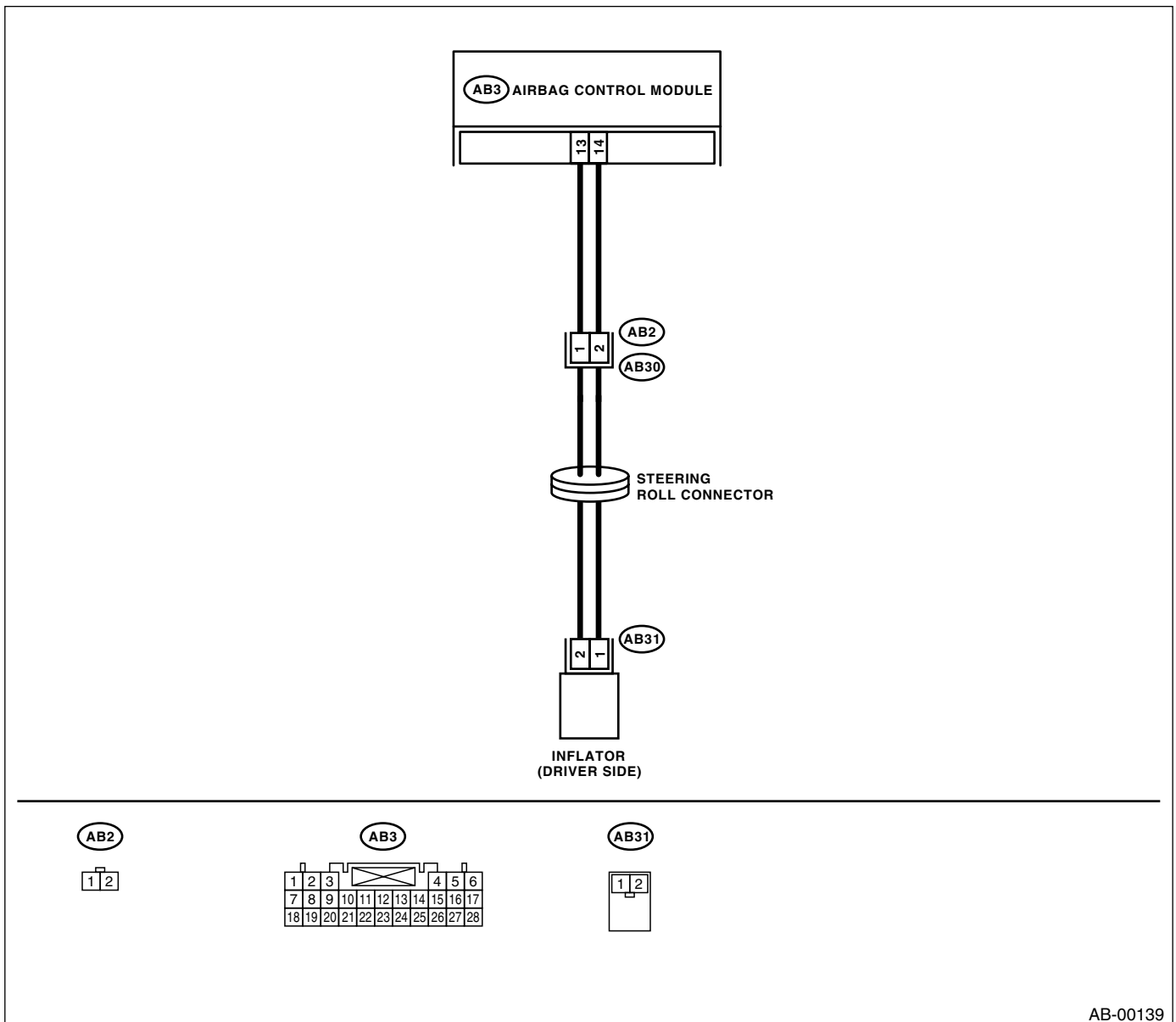
DIAGNOSIS:

- Airbag harness is open, shorted or shorted to ground.
- Airbag module harness (Driver) circuit is open, shorted or shorted to ground.
- Roll connector circuit is open, shorted or shorted to ground.
- Driver's airbag module is faulty.
- Airbag control module is faulty.

CAUTION:

- Before diagnosing the airbag system, be sure to turn the ignition switch to OFF, disconnect the ground cable from battery, and wait more than 20 seconds before starting to work.
- When inspecting the airbag main harness, disconnect the driver's airbag module and passenger's airbag module connectors for safety reasons.

WIRING DIAGRAM:



AB-00139

DIAGNOSTIC CHART WITH TROUBLE CODE

AIRBAG SYSTEM (DIAGNOSTICS)

Step	Value	Yes	No
1 CHECK DRIVER'S AIRBAG MODULE. 1) Turn the ignition switch to OFF, disconnect the battery ground cable, and wait more than 20 seconds. 2) Remove the driver's airbag module. <Ref. to AB-15, Driver's Airbag Module.> 3) Connect the connector (1N) in test harness N to connector (AB31). 4) Connect the airbag resistor to connector (2N) in test harness N. 5) Connect the battery ground cable and turn the ignition switch to ON. Is the airbag warning light turned off after it was illuminating approx. 6 seconds?	Airbag warning light is turned off after illuminating approx. 6 seconds.	Replace the driver's airbag module. <Ref. to AB-15, Driver's Airbag Module.>	Go to step 2.
2 CHECK ROLL CONNECTOR. 1) Turn the ignition switch to OFF, disconnect the battery ground cable, and wait more than 20 second. 2) Disconnect the test harness N from the connector (AB31). 3) Remove the instrument panel lower cover, disconnect the connector (AB2) from (AB30) and connect the connector (1F) in test harness F to connector (AB2). 4) Connect the airbag resistor to connector (3F) in test harness F. 5) Connect the battery ground cable and turn the ignition switch to ON. Is the airbag warning light turned off after it was illuminating approx. 6 seconds?	Airbag warning light is turned off after illuminating approx. 6 seconds.	Replace the roll connector. <Ref. to AB-20, Roll Connector.>	Go to step 3.
3 CHECK AIRBAG MAIN HARNESS. 1) Turn the ignition switch to OFF, disconnect the ground cable, and wait more than 20 seconds. 2) Disconnect the airbag resistor from the connector (3F) in test harness F. 3) Remove the glove box, and disconnect connectors (AB4) and passenger's airbag module (AB27). <Ref. to AB-16, Passenger's Airbag Module.> 4) Disconnect the connector (AB3) from the airbag control module, and connect the connector (1R) in test harness R. <Ref. to AB-18, Airbag Control Module.> 5) Measure the resistance between connector (2R) in test harness R and the connector (3F) in test harness F. Connector & terminal (2R) No. 2 — (3F) No. 3: (2R) No. 4 — (3F) No. 4: Is the measured value less than specified value?	10 Ω	Go to step 4.	Replace the airbag main harness with body harness.

DIAGNOSTIC CHART WITH TROUBLE CODE

AIRBAG SYSTEM (DIAGNOSTICS)

Step	Value	Yes	No
<p>4 CHECK AIRBAG MAIN HARNESS. Measure the resistance of the connector (2R) in test harness R. Connector & terminal (2R) No. 2 — No. 4: (2R) No. 4 — Chassis ground: (2R) No. 2 — Chassis ground: Is the measured value more than specified value?</p>	1 MΩ	Replace the airbag control module. <Ref. to AB-18, Airbag Control Module.>	Replace the airbag main harness with body harness.

DIAGNOSTIC CHART WITH TROUBLE CODE

AIRBAG SYSTEM (DIAGNOSTICS)

B: DTC 12

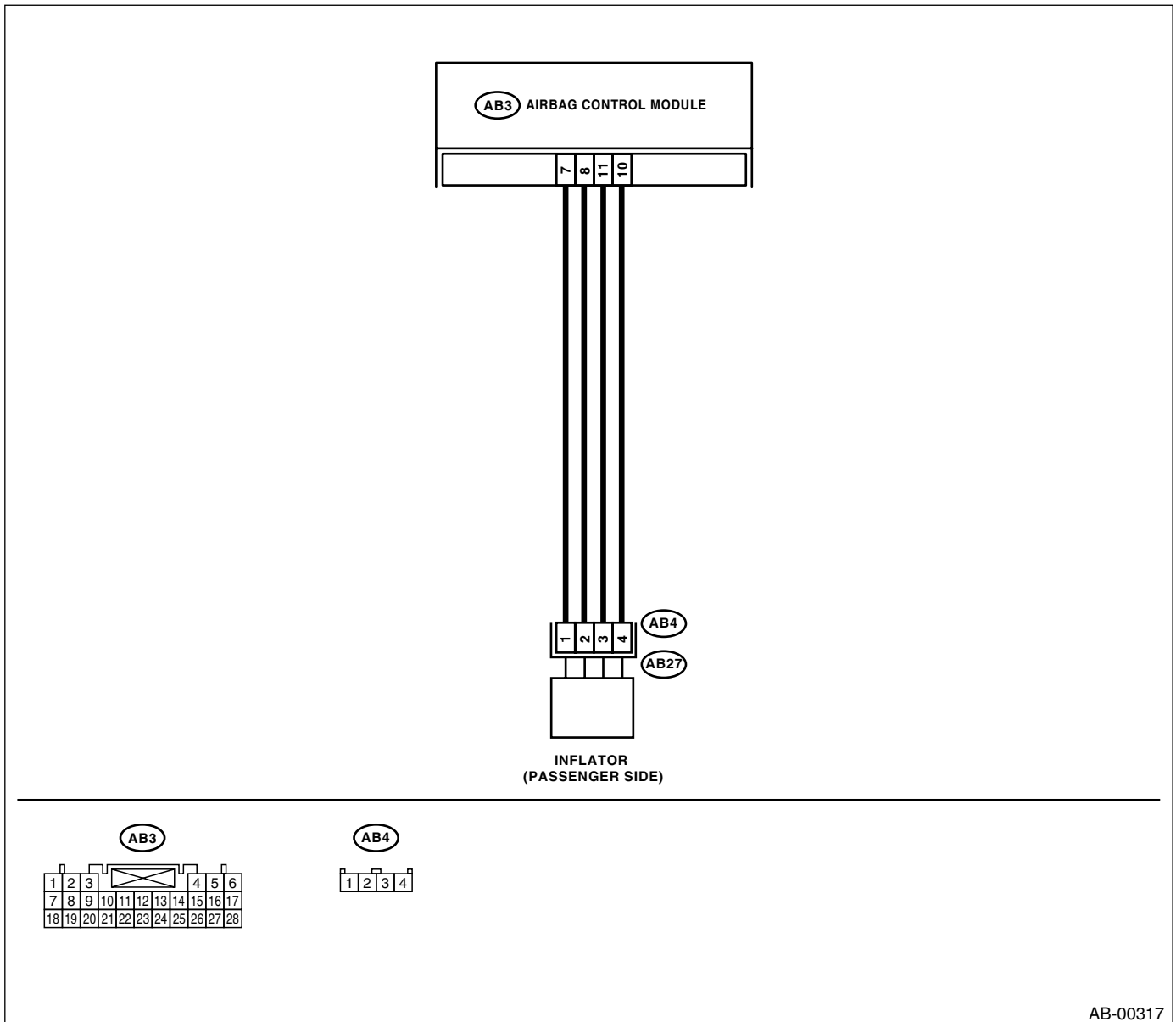
DIAGNOSIS:

- Airbag harness is open, shorted or shorted to ground.
- Airbag module harness (Passenger) circuit is open, shorted or shorted to ground.
- Passenger's airbag module is faulty.
- Airbag control module is faulty.

CAUTION:

- Before diagnosing the airbag system, be sure to turn the ignition switch to OFF, disconnect the ground cable from battery, and wait more than 20 seconds before starting to work.
- When inspecting the airbag main harness, disconnect the airbag module connector of the driver and passenger seats for safety reasons.

WIRING DIAGRAM:



AB-00317

DIAGNOSTIC CHART WITH TROUBLE CODE

AIRBAG SYSTEM (DIAGNOSTICS)

Step	Value	Yes	No
<p>1 CHECK PASSENGER'S AIRBAG MODULE. 1) Turn the ignition switch to OFF, disconnect the battery ground cable, and wait more than 20 seconds. 2) Remove the glove box. 3) Disconnect the passenger's airbag connector (AB27) and (AB4). 4) Connect the connector (1P) in test harness P to connector (AB4). 5) Connect the airbag resistor to connector (2P), (3P) in test harness P. 6) Connect the battery ground cable and turn the ignition switch to ON. Is the airbag warning light turned off after it was illuminating approx. 6 seconds?</p>	<p>Airbag warning light is turned off after illuminating approx. 6 seconds.</p>	<p>Replace the passenger airbag module. <Ref. to AB-16, Passenger's Airbag Module.></p>	<p>Go to step 2.</p>
<p>2 CHECK AIRBAG MAIN HARNESS. 1) Turn the ignition switch to OFF, disconnect the battery ground cable, and wait more than 20 seconds. 2) Disconnect the airbag resistor from the connector in test harness P. 3) Remove the instrument panel lower cover and disconnect the connector (AB2) from (AB30). 4) Disconnect the connector (AB3) from the airbag control module, and connect the connector (1R) in test harness R. <Ref. to AB-18, Airbag Control Module.> 5) Measure the resistance between connector (2R) in test harness R and the connector (2P) in test harness P. Connector & terminal (2R) No. 3 — (2P) No. 3: (2R) No. 5 — (2P) No. 4: Is the measured value less than specified value?</p>	<p>10 Ω</p>	<p>Go to step 3.</p>	<p>Replace the airbag main harness with body harness.</p>
<p>3 CHECK AIRBAG MAIN HARNESS. Measure the resistance of the connector (2R) in test harness R. Connector & terminal (2R) No. 3 — No. 5: (2R) No. 3 — Chassis ground: (2R) No. 5 — Chassis ground: Is the measured value more than specified value?</p>	<p>1 MΩ</p>	<p>Replace the airbag control module. <Ref. to AB-18, Airbag Control Module.></p>	<p>Replace the airbag main harness with body harness.</p>

DIAGNOSTIC CHART WITH TROUBLE CODE

AIRBAG SYSTEM (DIAGNOSTICS)

C: DTC 15

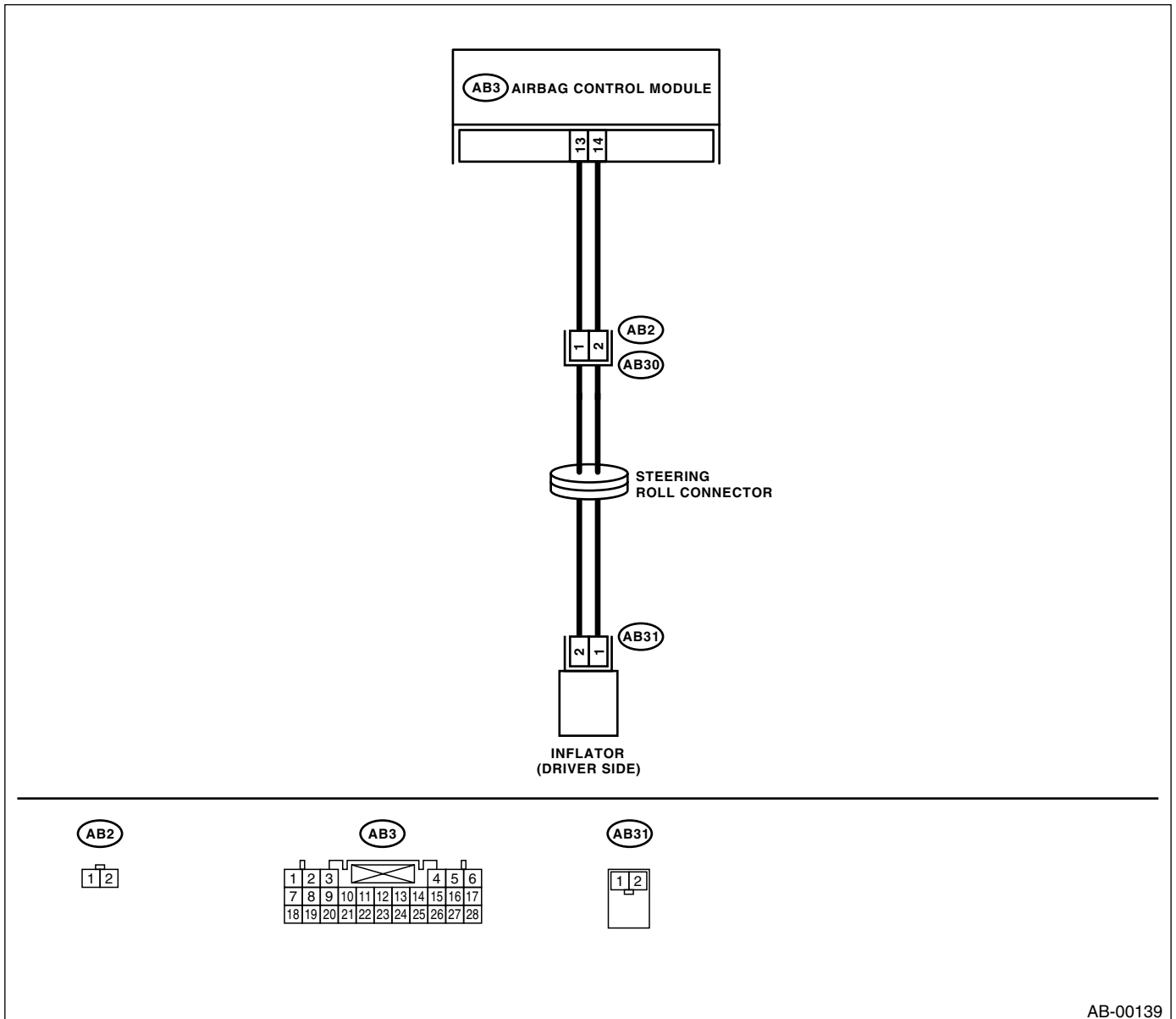
DIAGNOSIS:

- Airbag harness (Driver) is shorted to the power supply.
- Airbag module harness (Driver) is shorted to the power supply.
- Roll connector is shorted to the power supply.
- Driver's airbag module is faulty.
- Airbag control module is faulty.

CAUTION:

- Before diagnosing the airbag system, be sure to turn the ignition switch to OFF, disconnect the ground cable from battery, and wait more than 20 seconds before starting to work.
- When inspecting the airbag main harness, disconnect the driver's airbag module and passenger's airbag module connectors for safety reasons.

WIRING DIAGRAM:



AB-00139

DIAGNOSTIC CHART WITH TROUBLE CODE

AIRBAG SYSTEM (DIAGNOSTICS)

Step	Value	Yes	No
<p>1 CHECK DRIVER'S AIRBAG MODULE. 1) Turn the ignition switch to OFF, disconnect the battery ground cable, and wait more than 20 seconds. 2) Remove the driver's airbag module. <Ref. to AB-15, Driver's Airbag Module.> 3) Connect the connector (AB31) to connector (1N) in test harness N. 4) Connect the airbag resistor to connector (2N) in test harness N. 5) Connect the battery ground cable and turn the ignition switch to ON. Is the airbag warning light turned off after it was illuminating approx. 6 seconds?</p>	<p>Airbag warning light is turned off after illuminating approx. 6 seconds.</p>	<p>Replace the driver's airbag module. <Ref. to AB-15, Driver's Airbag Module.></p>	<p>Go to step 2.</p>
<p>2 CHECK ROLL CONNECTOR. 1) Turn the ignition switch to OFF, disconnect the battery ground cable, and wait more than 20 seconds. 2) Disconnect the test harness N from the connector (AB31). 3) Remove the instrument panel lower cover and disconnect the connector (AB2) from (AB30). 4) Connect the connector (1F) in test harness F to connector (AB2). 5) Connect the airbag resistor to connector (3F) in test harness F. 6) Connect the battery ground cable and turn the ignition switch to ON. Is the airbag warning light turned off after it was illuminating approx. 6 seconds?</p>	<p>Airbag warning light is turned off after illuminating approx. 6 seconds.</p>	<p>Replace the roll connector. <Ref. to AB-20, Roll Connector.></p>	<p>Go to step 3.</p>
<p>3 CHECK AIRBAG MAIN HARNESS. 1) Turn the ignition switch to OFF, disconnect the battery ground cable, and wait more than 20 seconds. 2) Disconnect the airbag resistor from the connector (3F) in test harness F. 3) Remove the glove box, and disconnect the connectors (AB4) and passenger's airbag module (AB27). 4) Disconnect the connector (AB3) from the airbag control module, and connect the connector (1R) in test harness R. <Ref. to AB-18, Airbag Control Module.> 5) Connect the battery ground cable and turn the ignition switch to ON. (engine OFF) 6) Measure the voltage between connector (2R) in test harness R and the chassis ground. Connector & terminal (2R) No. 2 (+) — Chassis ground (-): (2R) No. 4 (+) — Chassis ground (-): Is the measured value less than specified value?</p>	<p>1 V</p>	<p>Replace the airbag control module. <Ref. to AB-18, Airbag Control Module.></p>	<p>Replace the airbag main harness with body harness.</p>

DIAGNOSTIC CHART WITH TROUBLE CODE

AIRBAG SYSTEM (DIAGNOSTICS)

D: DTC 16

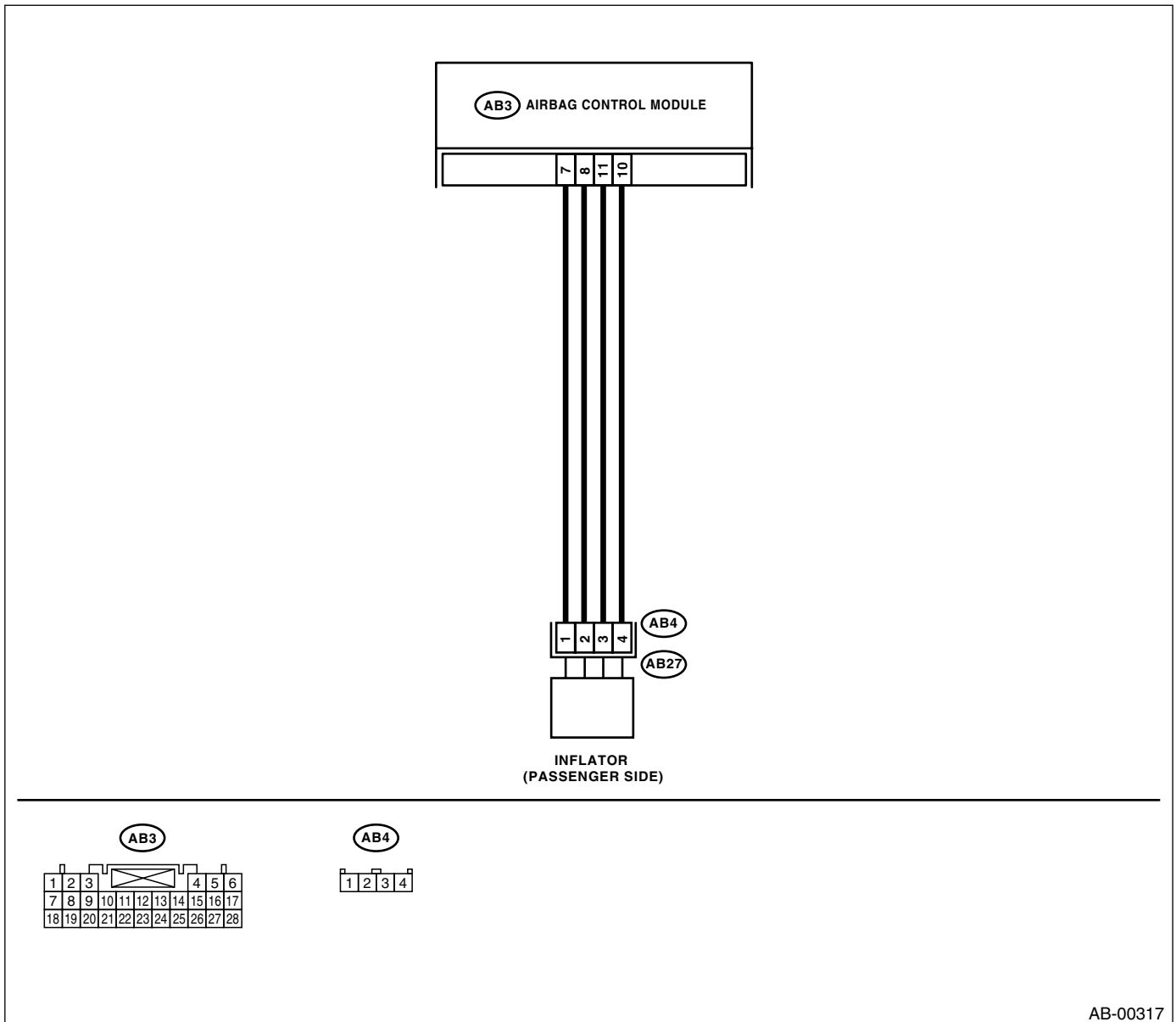
DIAGNOSIS:

- Airbag harness (Passenger) is shorted to the power supply.
- Airbag module harness (Passenger) is shorted to the power supply.
- Passenger's airbag module is faulty.
- Airbag control module is faulty.

CAUTION:

- Before diagnosing the airbag system, be sure to turn the ignition switch to OFF, disconnect the ground cable from battery, and wait more than 20 seconds before starting to work.
- When inspecting the airbag main harness, disconnect the airbag module connector of the driver and passenger seats for safety reasons.

WIRING DIAGRAM:



AB-00317

DIAGNOSTIC CHART WITH TROUBLE CODE

AIRBAG SYSTEM (DIAGNOSTICS)

Step	Value	Yes	No
1 CHECK PASSENGER'S AIRBAG MODULE. 1) Turn the ignition switch to OFF, disconnect the battery ground cable, and wait more than 20 seconds. 2) Remove the glove box. 3) Disconnect the passenger's airbag connector (AB27) and (AB4). 4) Connect the connector (1P) in test harness P to connector (AB4). 5) Connect the airbag resistor to connector (2P), (3P) in test harness P. 6) Connect the battery ground cable and turn the ignition switch to ON. Is the airbag warning light turned off after it was illuminating approx. 6 seconds?	Airbag warning light is turned off after illuminating approx. 6 seconds.	Replace the passenger airbag module. <Ref. to AB-16, Passenger's Airbag Module.>	Go to step 2.
2 CHECK AIRBAG MAIN HARNESS. 1) Turn the ignition switch to OFF, disconnect the battery ground cable, and wait more than 20 seconds. 2) Disconnect the airbag resistor from the connector in test harness P. 3) Remove the instrument panel lower cover and disconnect the connector (AB2) from (AB30). 4) Disconnect the connector (AB3) from the airbag control module, and connect the connector (1R) in test harness R. <Ref. to AB-18, Airbag Control Module.> 5) Connect the battery ground cable and turn the ignition switch to ON. 6) Measure the voltage between connector (2R) in test harness R and the chassis ground. Connector & terminal (2R) No. 3 (+) — Chassis ground (-): (2R) No. 5 (+) — Chassis ground (-): Is the measured value less than specified value?	1 V	Replace the airbag control module. <Ref. to AB-18, Airbag Control Module.>	Replace the airbag main harness with body harness.

E: DTC 21

DIAGNOSIS:

Airbag control module is faulty.

CAUTION:

Before diagnosing the airbag system, be sure to turn the ignition switch to OFF, disconnect the ground cable from battery, and wait more than 20 seconds before starting to work.

Step	Value	Yes	No
1 CHECK IF TROUBLE CODE 21 IS INDICATED. 1) Read the DTC. <Ref. to AB-31, Read Diagnostic Trouble Code (DTC).> 2) Perform the clear memory mode. 3) Read DTC again. Does the airbag warning light indicate DTC 21?	Airbag warning light does not indicate DTC 21.	Temporary poor contact.	Replace the airbag control module. <Ref. to AB-18, Airbag Control Module.>

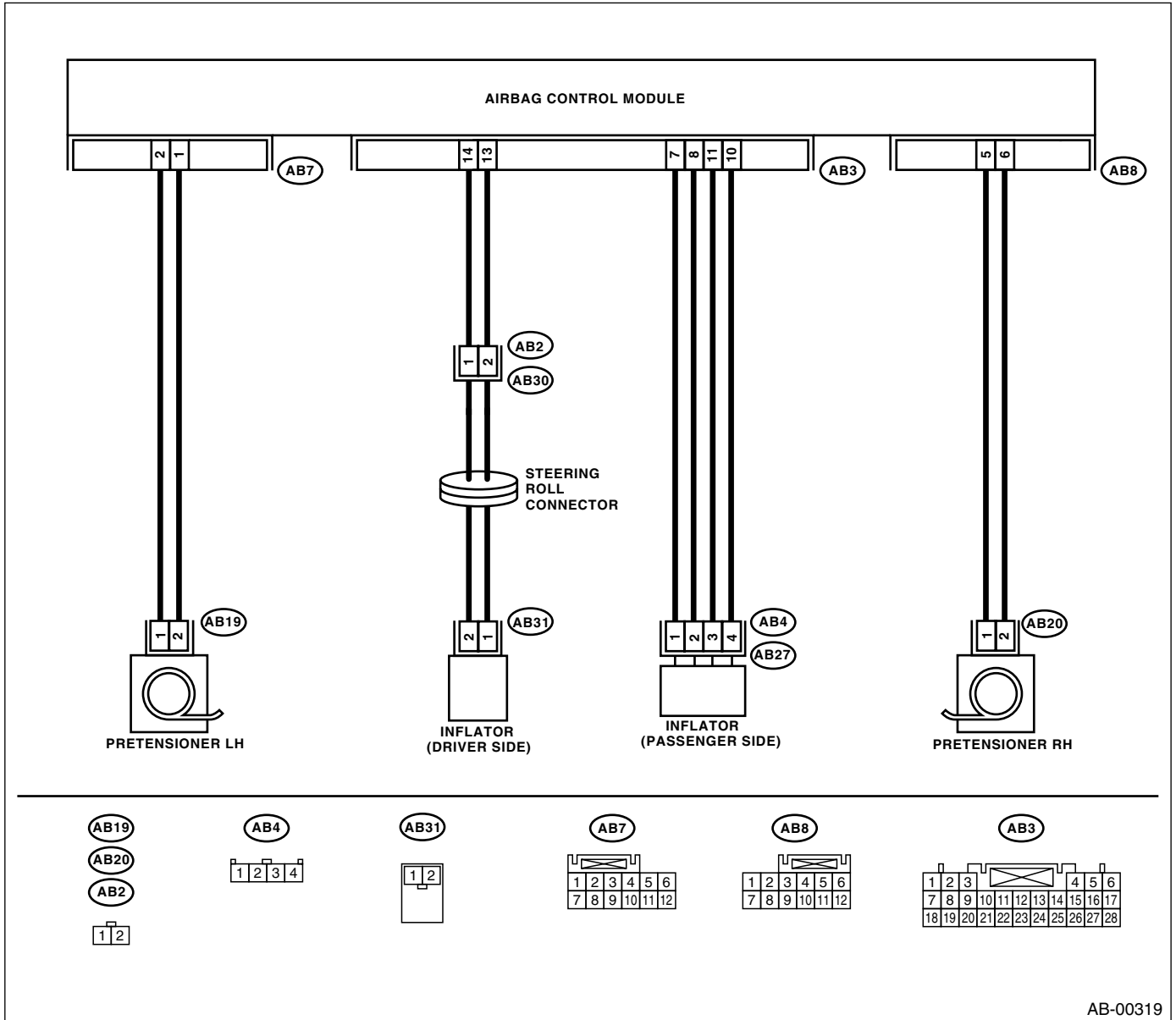
DIAGNOSTIC CHART WITH TROUBLE CODE

AIRBAG SYSTEM (DIAGNOSTICS)

F: DTC 22

1. LHD MODEL

WIRING DIAGRAM:



This code is indicated when the front airbag and the pretensioner are in operation.

Once this code is indicated, memory is not erasable; therefore replace the following parts.

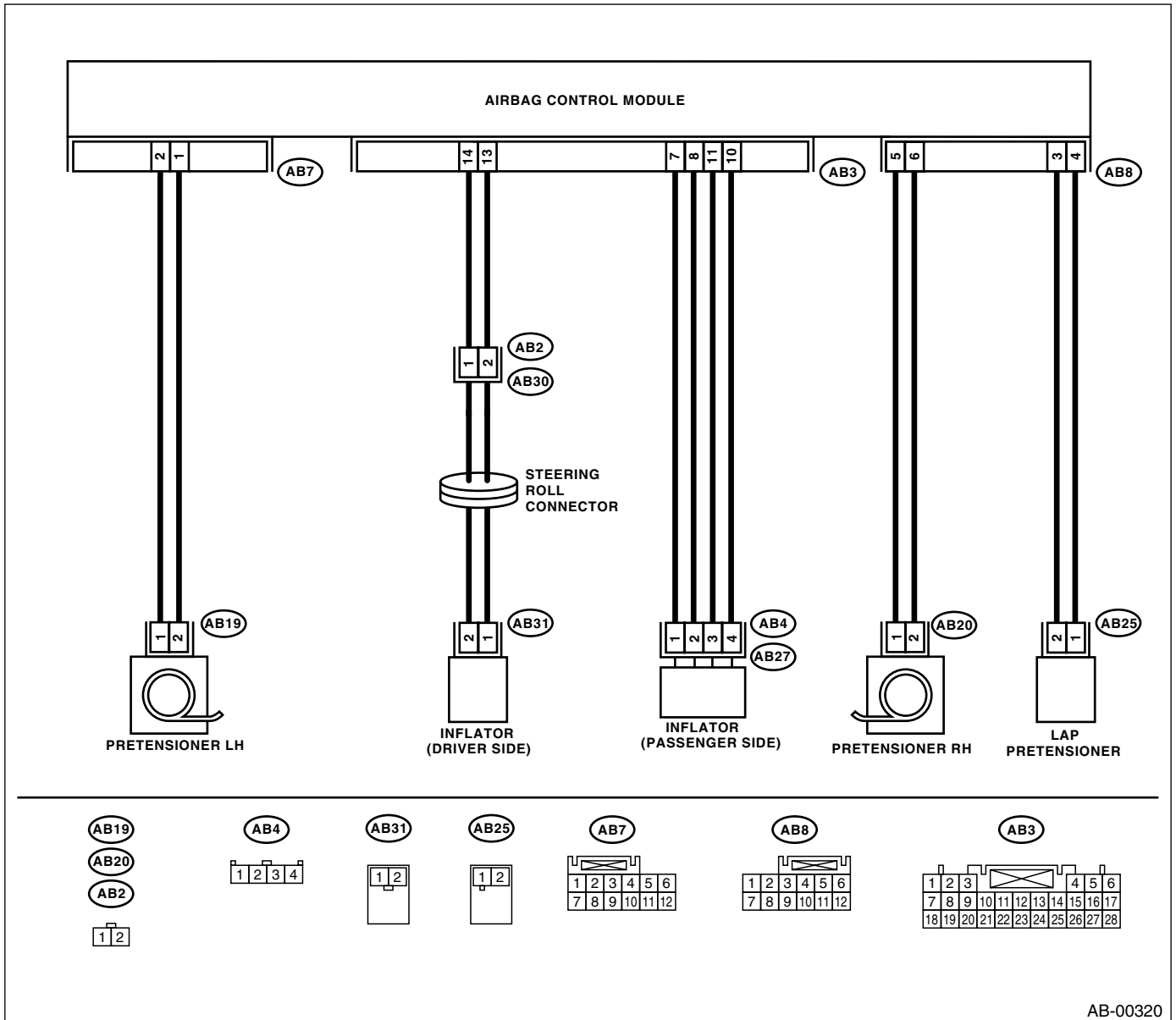
- Airbag control module. <Ref. to AB-18, Airbag Control Module.>
- Driver's airbag module. <Ref. to AB-15, Driver's Airbag Module.>
- Passenger's airbag module. <Ref. to AB-16, Passenger's Airbag Module.>
- Front sub-sensor of both sides. <Ref. to AB-21, Front Sub Sensor.>
- Front seat belt outer with pretensioner of both sides. <Ref. to SB-7, Front Seat Belt.>

DIAGNOSTIC CHART WITH TROUBLE CODE

AIRBAG SYSTEM (DIAGNOSTICS)

2. RHD MODEL

WIRING DIAGRAM:



AB-00320

This code is indicated when the front airbag, pretensioner and lap pretensioner are in operation.

Once this code is indicated, memory is not erasable; therefore replace the following parts.

- Airbag control module. <Ref. to AB-18, Airbag Control Module.>
- Driver's airbag module. <Ref. to AB-15, Driver's Airbag Module.>
- Passenger's airbag module. <Ref. to AB-16, Passenger's Airbag Module.>
- Front sub-sensor of both sides. <Ref. to AB-21, Front Sub Sensor.>
- Front seat belt outer with pretensioner of both sides. <Ref. to SB-7, Front Seat Belt.>

DIAGNOSTIC CHART WITH TROUBLE CODE

AIRBAG SYSTEM (DIAGNOSTICS)

G: DTC 23

DIAGNOSIS:

(AB3), (AB7) and (AB8) are not connected properly to airbag control module.

CAUTION:

Before diagnosing the airbag system, be sure to turn the ignition switch to OFF, disconnect the ground cable from battery, and wait more than 20 seconds before starting to work.

Step	Value	Yes	No
1 CHECK POOR CONTACT IN CONECTORS (AB3), (AB7) and (AB8). 1) Turn the ignition switch to OFF, disconnect the battery ground cable, and wait more than 20 seconds. 2) Disconnect the connectors (AB3), (AB7) and (AB8) from the airbag control module. <Ref. to AB-18, Airbag Control Module.> Is there any rust and damage in harness connector and control module connector?	There is no rust and damage.	Go to step 2.	Replace the airbag control module. <Ref. to AB-18, Airbag Control Module.> Replace the airbag main harness with body harness. Replace the side airbag harness with body harness.
2 CHECK POOR CONTACT IN CONECTORS (AB3), (AB7) and (AB8). 1) Ensure that connectors are firmly reconnected. 2) Connect the battery ground cable and turn the ignition switch to ON. 3) Perform the clear memory mode. 4) Read DTC again. Does the airbag warning light indicate DTC 23 ?	Airbag warning light does not indicate DTC 23.	Temporary poor contact.	Replace the airbag control module. <Ref. to AB-18, Airbag Control Module.>

DIAGNOSTIC CHART WITH TROUBLE CODE

AIRBAG SYSTEM (DIAGNOSTICS)

H: DTC 24

DIAGNOSIS:

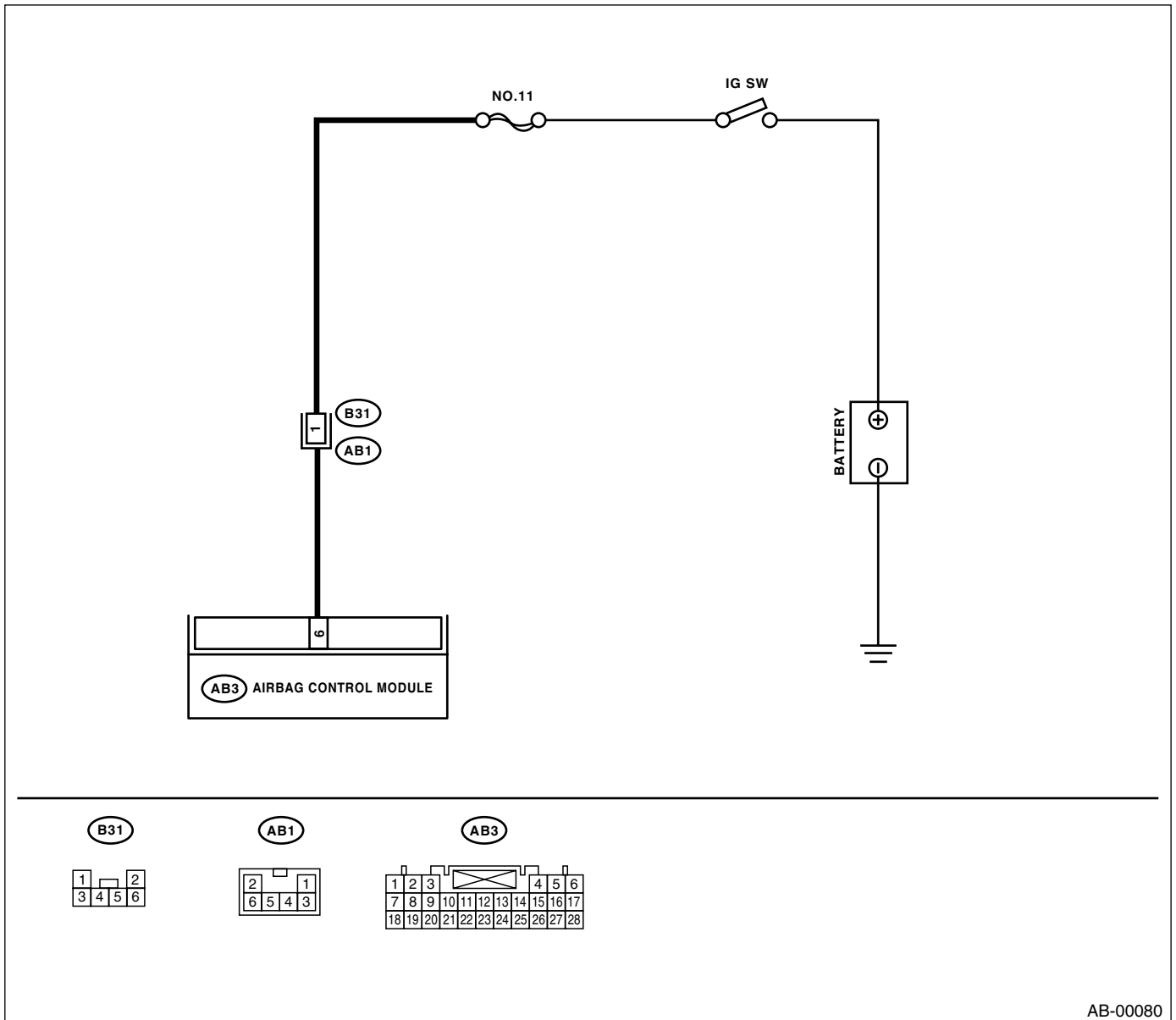
- Airbag control module is faulty.
- Airbag harness is open.
- Fuse No, 11 (in joint box) is blown.
- Body harness circuit is open.

CAUTION:

- Before diagnosing the airbag system, be sure to turn the ignition switch to OFF, disconnect the ground cable from battery, and wait more than 20 seconds before starting to work.
- When inspecting the airbag main harness, disconnect the driver's airbag module and passenger's airbag module connectors for safety reasons.

1. LHD MODEL

WIRING DIAGRAM:



AB-00080

DIAGNOSTIC CHART WITH TROUBLE CODE

AIRBAG SYSTEM (DIAGNOSTICS)

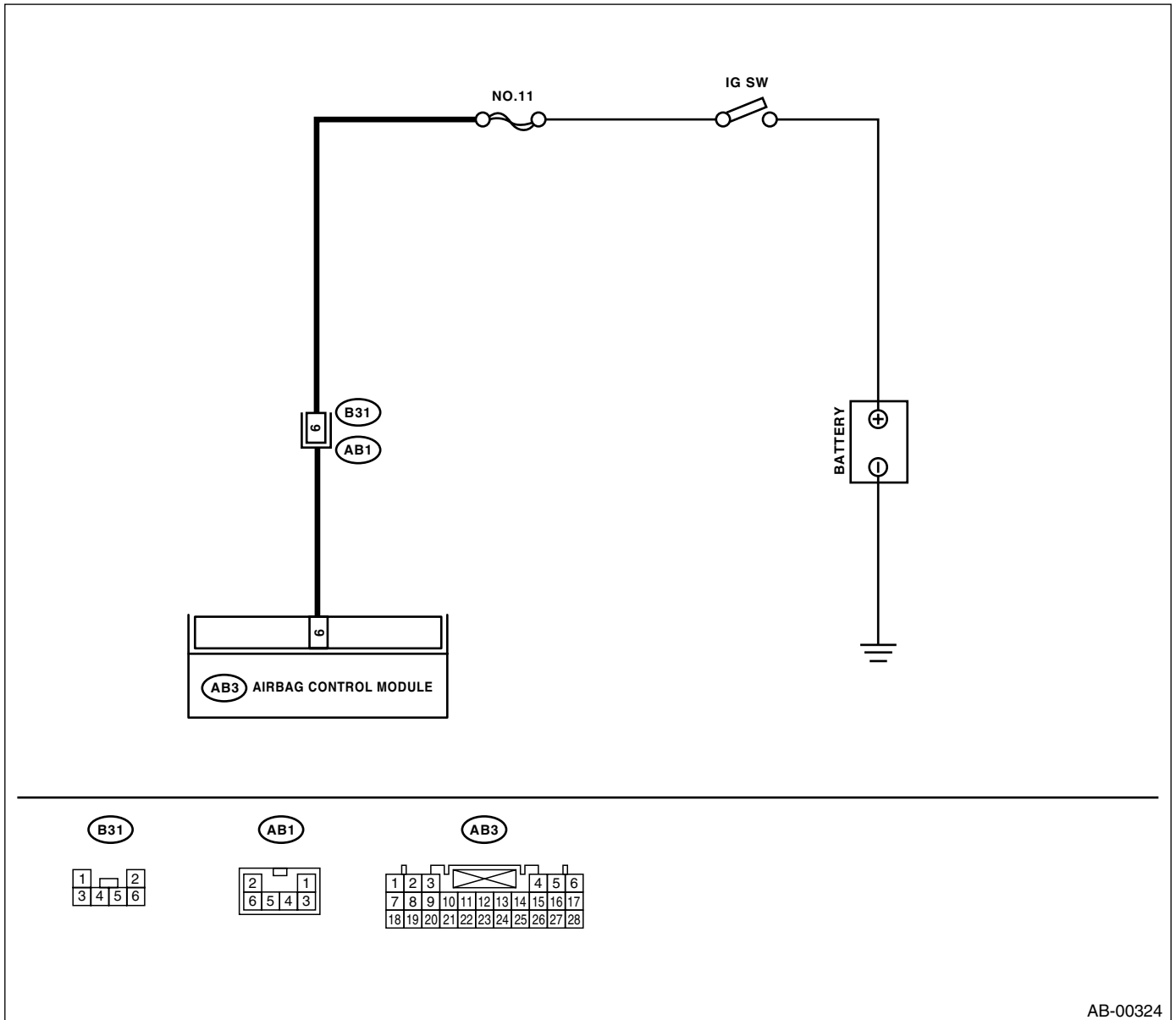
Step	Value	Yes	No
<p>1 CHECK AIRBAG CONTROL MODULE. 1) Turn the ignition switch to OFF, disconnect the battery ground cable, and wait more than 20 seconds. 2) Disconnect the connector (AB3) from the airbag control module. <Ref. to AB-18, Airbag Control Module.> 3) Connect the connector (1R) in test harness R to connector (AB3). 4) Connect the battery ground cable and turn the ignition switch to ON. 5) Measure the voltage between connector (2R) in test harness R and chassis ground. Connector & terminal (2R) No. 1 (+) — Chassis ground (-): Is the measured value more than specified value?</p>	10 V	Replace the airbag control module. <Ref. to AB-18, Airbag Control Module.>	Go to step 2.
<p>2 CHECK AIRBAG MAIN HARNESS. 1) Turn the ignition switch to OFF, disconnect the battery ground cable, and wait more than 20 seconds. 2) Disconnect the airbag connector (AB1) from the body harness (B31). 3) Connect the connector (2M) in test harness M to connector (AB1). 4) Measure the resistance between connector (5M) in test harness M and the connector (2R) in test harness R. Connector & terminal (5M) No. 2 — (2R) No. 1: Is the measured value less than specified value?</p>	10 Ω	Go to step 3.	Replace the airbag main harness with body harness.
<p>3 CHECK AIRBAG MAIN HARNESS. Measure the following resistance with the above-mentioned condition maintained. Connector & terminal (5M) No. 2 — Chassis ground: (2R) No. 1 — Chassis ground: Is the measured value more than specified value?</p>	1 MΩ	Go to step 4.	Replace the airbag main harness with body harness.
<p>4 CHECK FUSE No. 11 (IN JOINT BOX). 1) Confirm that the ignition switch is turned OFF. 2) Remove the fuse No. 11 (in joint box) and perform visual inspection. Is the fuse No. 11 blown out?</p>	Fuse No. 11 is not blown out.	Repair the body harness.	Replace the fuse No. 11. If fuse No. 11 blows again, repair the body harness.

DIAGNOSTIC CHART WITH TROUBLE CODE

AIRBAG SYSTEM (DIAGNOSTICS)

2. RHD MODEL

WIRING DIAGRAM:



AB-00324

DIAGNOSTIC CHART WITH TROUBLE CODE

AIRBAG SYSTEM (DIAGNOSTICS)

Step	Value	Yes	No
<p>1 CHECK AIRBAG CONTROL MODULE. 1) Turn the ignition switch to OFF, disconnect the battery ground cable, and wait more than 20 seconds. 2) Disconnect the connector (AB3) from the airbag control module. <Ref. to AB-18, Airbag Control Module.> 3) Connect the connector (1R) in test harness R to connector (AB3). 4) Connect the battery ground cable and turn the ignition switch to ON. 5) Measure the voltage between connector (2R) in test harness R and chassis ground. Connector & terminal (2R) No. 1 (+) — Chassis ground (-): Is the measured value more than specified value?</p>	10 V	Replace the airbag control module. <Ref. to AB-18, Airbag Control Module.>	Go to step 2.
<p>2 CHECK AIRBAG MAIN HARNESS. 1) Turn the ignition switch to OFF, disconnect the battery ground cable, and wait more than 20 seconds. 2) Disconnect the airbag connector (AB1) from the body harness (B31). 3) Connect the connector (2M) in test harness M to connector (AB1). 4) Measure the resistance between connector (5M) in test harness M and the connector (2R) in test harness R. Connector & terminal (5M) No. 9 — (2R) No. 1: Is the measured value less than specified value?</p>	10 Ω	Go to step 3.	Replace the airbag main harness with body harness.
<p>3 CHECK AIRBAG MAIN HARNESS. Measure the following resistance with the above-mentioned condition maintained. Connector & terminal (5M) No. 9 — Chassis ground: (2R) No. 1 — Chassis ground: Is the measured value more than specified value?</p>	1 MΩ	Go to step 4.	Replace the airbag main harness with body harness.
<p>4 CHECK FUSE No. 11 (IN JOINT BOX). 1) Confirm that the ignition switch is turned OFF. 2) Remove the fuse No. 11 (in joint box) and perform visual inspection. Is the fuse No. 11 blown out?</p>	Fuse No. 11 is not blown out.	Repair the body harness.	Replace the fuse No. 11. If fuse No. 11 blows again, repair the body harness.

DIAGNOSTIC CHART WITH TROUBLE CODE

AIRBAG SYSTEM (DIAGNOSTICS)

I: DTC 25

DIAGNOSIS:

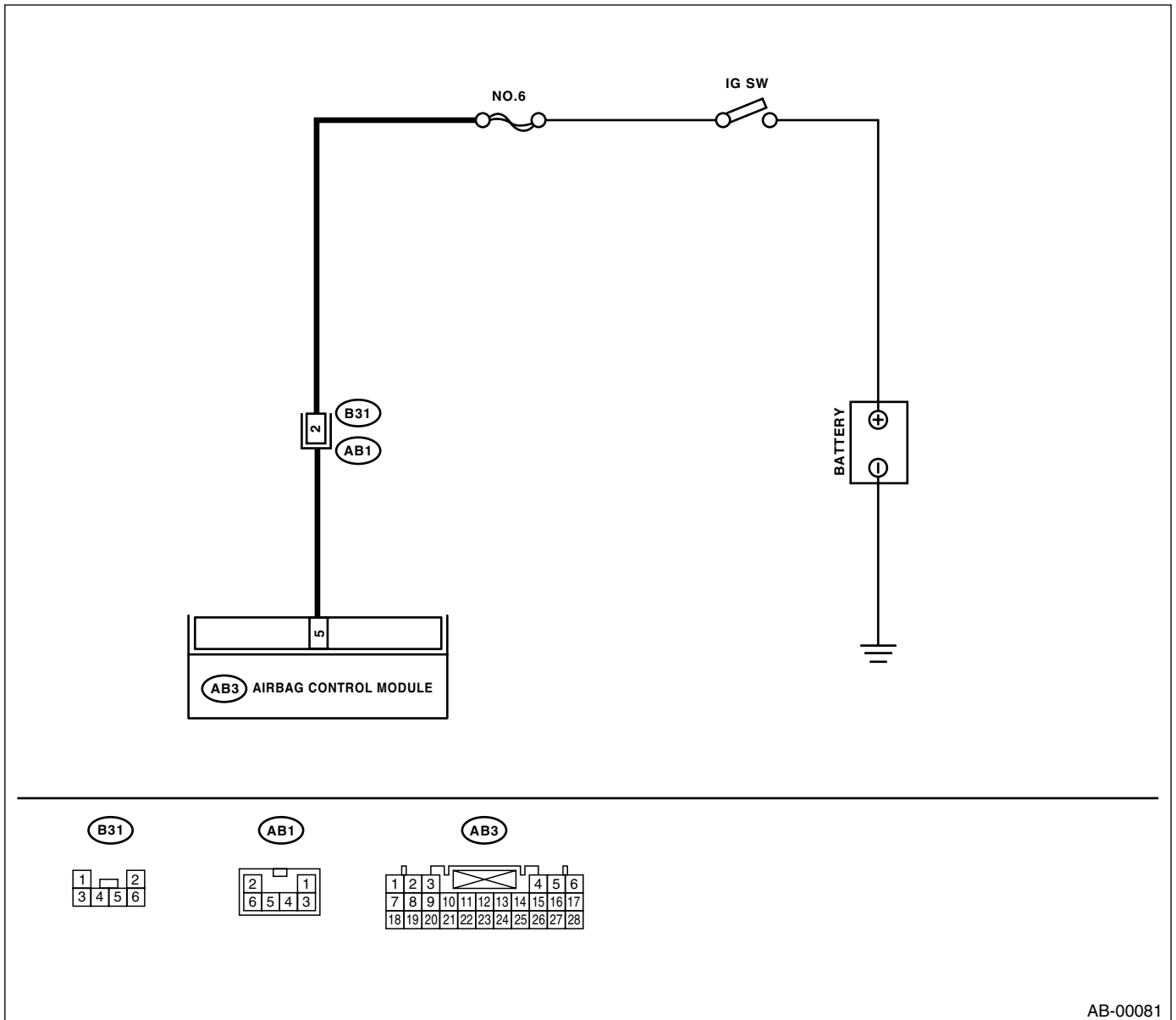
- Airbag control module is faulty.
- Airbag harness is open.
- Fuse No. 6 (in joint box) is blown.
- Body harness circuit is open.

CAUTION:

- Before diagnosing the airbag system, be sure to turn the ignition switch to OFF, disconnect the ground cable from battery, and wait more than 20 seconds before starting to work.
- When inspecting the airbag main harness, disconnect the driver's airbag module and passenger's airbag module connectors for safety reasons.

1. LHD MODEL

WIRING DIAGRAM:



AB-00081

DIAGNOSTIC CHART WITH TROUBLE CODE

AIRBAG SYSTEM (DIAGNOSTICS)

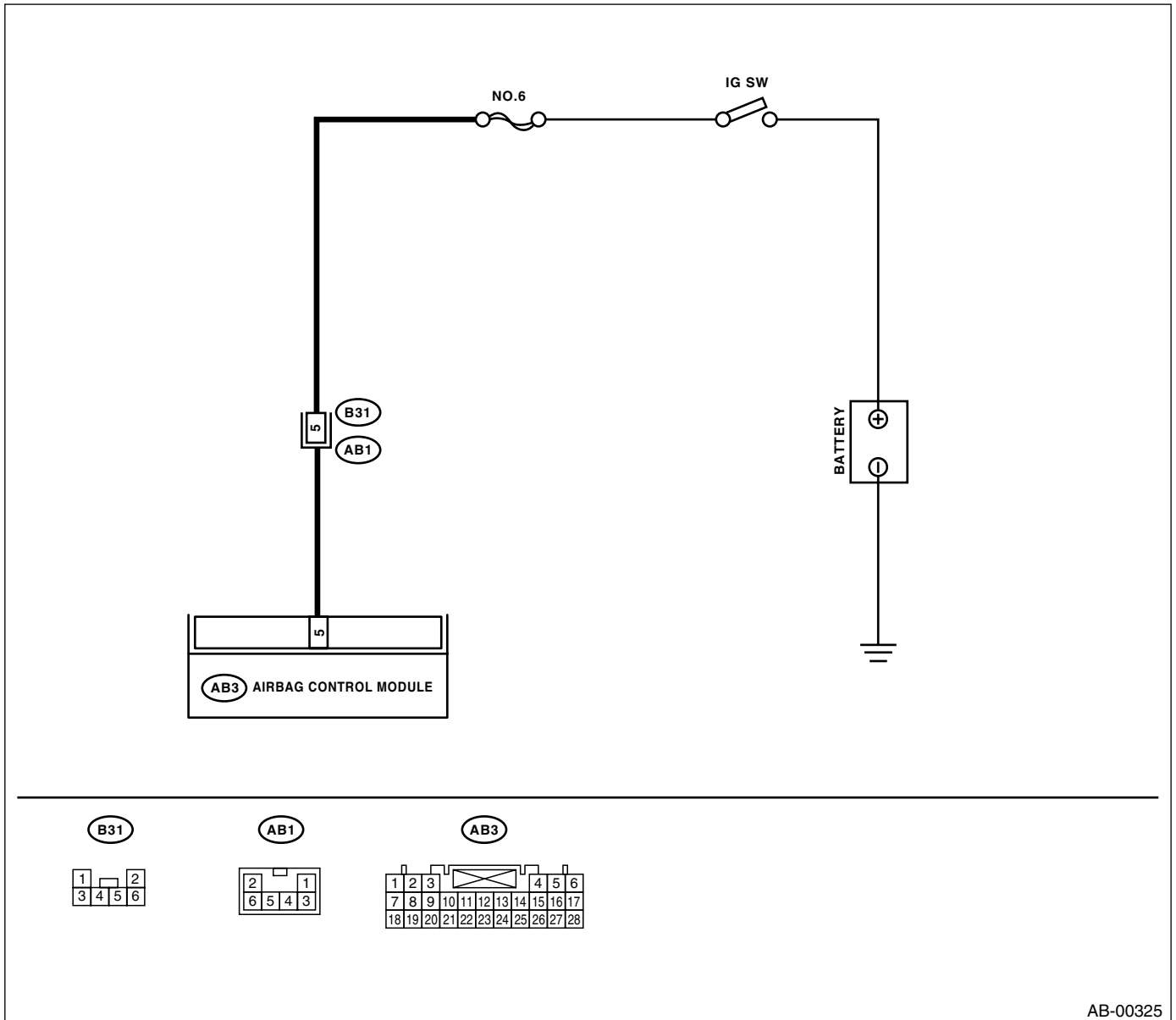
Step	Value	Yes	No
<p>1 CHECK AIRBAG CONTROL MODULE. 1) Turn the ignition switch to OFF, disconnect the battery ground cable, and wait more than 20 seconds. 2) Disconnect the connector (AB3) from airbag control module. <Ref. to AB-18, Airbag Control Module.> 3) Connect the connector (1R) in test harness R to connector (AB3). 4) Connect the battery ground cable, and turn the ignition switch to ON. 5) Measure the voltage between the connector (2R) in test harness R and the chassis ground.</p> <p>Connector & terminal (2R) No. 6 (+) — Chassis ground (-): Is the measured value more than specified value?</p>	10 V	Replace the airbag control module. <Ref. to AB-18, Airbag Control Module.>	Go to step 2.
<p>2 CHECK AIRBAG MAIN HARNESS. 1) Turn the ignition switch to OFF, disconnect the battery ground cable, and wait more than 20 seconds. 2) Disconnect the airbag connector (AB1) from the body harness (B31). 3) Connect the connector (2M) in test harness M to the airbag connector (AB1). 4) Measure the resistance between the connector (5M) in test harness M and the connector (2R) in test harness R.</p> <p>Connector & terminal (5M) No. 4 — (2R) No. 6: Is the measured value less than specified value?</p>	10 Ω	Go to step 3.	Replace the airbag main harness with body harness.
<p>3 CHECK AIRBAG MAIN HARNESS. Measure the following resistance with the above-mentioned condition maintained.</p> <p>Connector & terminal (5M) No. 4 — Chassis ground: (2R) No. 6 — Chassis ground: Is the measured value more than specified value?</p>	1 MΩ	Go to step 4.	Replace the airbag main harness with body harness.
<p>4 CHECK FUSE NO. 6 (IN JOINT BOX). 1) Confirm that the ignition switch is turned OFF. 2) Remove the No. 6 fuse (in joint box) and perform visual inspection. Is the fuse No.6 blown out?</p>	Fuse No. 6 is not blown out.	Repair the body harness.	Replace the fuse No. 6. If fuse No. 6 is blown again, repair the body harness.

DIAGNOSTIC CHART WITH TROUBLE CODE

AIRBAG SYSTEM (DIAGNOSTICS)

2. RHD MODEL

WIRING DIAGRAM:



AB-00325

DIAGNOSTIC CHART WITH TROUBLE CODE

AIRBAG SYSTEM (DIAGNOSTICS)

Step	Value	Yes	No
<p>1 CHECK AIRBAG CONTROL MODULE.</p> <p>1) Turn the ignition switch to OFF, disconnect the battery ground cable, and wait more than 20 seconds.</p> <p>2) Disconnect the connector (AB3) from airbag control module. <Ref. to AB-18, Airbag Control Module.></p> <p>3) Connect the connector (1R) in test harness R to connector (AB3).</p> <p>4) Connect the battery ground cable, and turn the ignition switch to ON.</p> <p>5) Measure the voltage between the connector (2R) in test harness R and the chassis ground.</p> <p>Connector & terminal (2R) No. 6 (+) — Chassis ground (-):</p> <p>Is the measured value more than specified value?</p>	10 V	Replace the airbag control module. <Ref. to AB-18, Airbag Control Module.>	Go to step 2.
<p>2 CHECK AIRBAG MAIN HARNESS.</p> <p>1) Turn the ignition switch to OFF, disconnect the battery ground cable, and wait more than 20 seconds.</p> <p>2) Disconnect the airbag connector (AB1) from the body harness (B31).</p> <p>3) Connect the connector (2M) in test harness M to the airbag connector (AB1).</p> <p>4) Measure the resistance between the connector (5M) in test harness M and the connector (2R) in test harness R.</p> <p>Connector & terminal (5M) No. 4 — (2R) No. 6:</p> <p>Is the measured value less than specified value?</p>	10 Ω	Go to step 3.	Replace the airbag main harness with body harness.
<p>3 CHECK AIRBAG MAIN HARNESS.</p> <p>Measure the following resistance with the above-mentioned condition maintained.</p> <p>Connector & terminal (5M) No. 1 — Chassis ground: (2R) No. 6 — Chassis ground:</p> <p>Is the measured value more than specified value?</p>	1 MΩ	Go to step 4.	Replace the airbag main harness with body harness.
<p>4 CHECK FUSE NO. 6 (IN JOINT BOX).</p> <p>1) Confirm that the ignition switch is turned OFF.</p> <p>2) Remove the No. 6 fuse (in joint box) and perform visual inspection.</p> <p>Is the fuse No.6 blown out?</p>	Fuse No. 6 is not blown out.	Repair the body harness.	Replace the fuse No. 6. If fuse No. 6 is blown again, repair the body harness.

DIAGNOSTIC CHART WITH TROUBLE CODE

AIRBAG SYSTEM (DIAGNOSTICS)

J: DTC 31

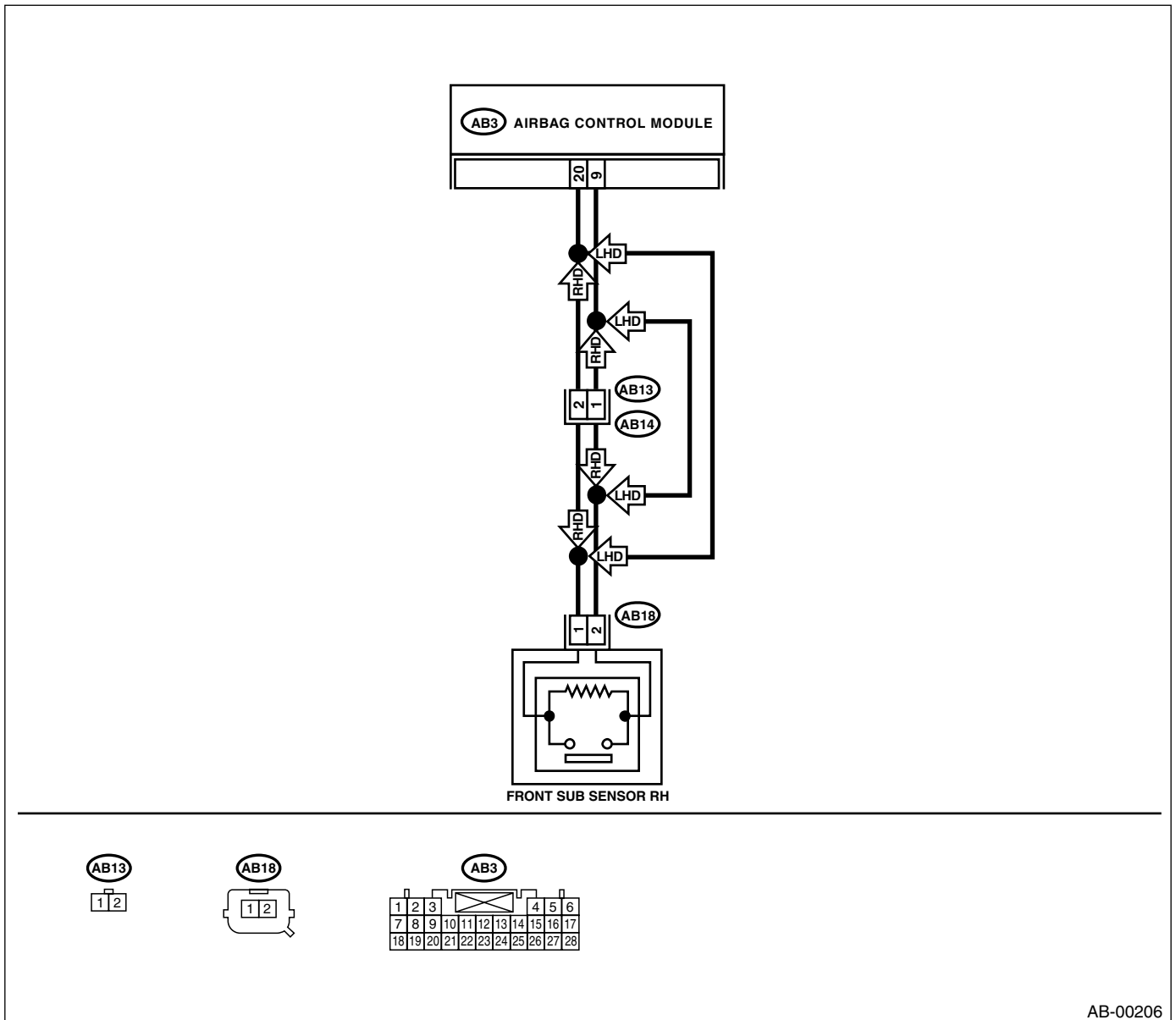
DIAGNOSIS:

- Front sub-sensor harness (RH) circuit is shorted, open or shorted to power supply.
- Airbag harness is shorted, open or shorted to power supply.
- Front sub-sensor (RH) is faulty.
- Airbag control module is faulty.

CAUTION:

- Before diagnosing the airbag system, be sure to turn the ignition switch to OFF, disconnect the ground cable from battery, and wait more than 20 seconds before starting to work.
- When inspecting the airbag main harness, disconnect the driver's airbag module and passenger's airbag module connectors for safety reasons.

WIRING DIAGRAM:



AB-00206

DIAGNOSTIC CHART WITH TROUBLE CODE

AIRBAG SYSTEM (DIAGNOSTICS)

Step	Value	Yes	No
<p>1 CHECK FRONT SUB-SENSOR (RH) AND AIRBAG HARNESS. 1) Turn the ignition switch to OFF, disconnect the battery ground cable, and wait more than 20 seconds. 2) Disconnect the connector (AB3) from the airbag control module, and connect the connector (1R) in test harness R. <Ref. to AB-18, Airbag Control Module.> 3) Measure the resistance of the connector (3R) in test harness R.</p> <p>Connector & terminal (3R) No. 7 — No. 9:</p> <p>Is the measured value within specified value?</p>	750 Ω and 1 KΩ	Replace the airbag control module. <Ref. to AB-18, Airbag Control Module.>	Go to step 2.
<p>2 CHECK AIRBAG MAIN HARNESS AND FRONT SUB-SENSOR HARNESS (RH). 1) Disconnect the connector (AB18) from the front sub-sensor. <Ref. to AB-21, Front Sub Sensor.> 2) Connect the connector (IH) in test harness H to connector (AB18). 3) Measure the resistance between connector (3R) in test harness R and connector (3H) in test harness H.</p> <p>Connector & terminal (3R) No. 7 — (3H) No. 5: (3R) No. 9 — (3H) No. 6:</p> <p>Is the measured value less than specified value?</p>	10 Ω	Go to step 3.	LHD model: Replace the airbag main harness and front sub-sensor harness with body harness. RHD model: Go to step 4.
<p>3 CHECK AIRBAG MAIN HARNESS AND FRONT SUB-SENSOR HARNESS (RH). Measure the resistance between connector (3R) in test harness R and the chassis ground.</p> <p>Connector & terminal (3R) No. 7 — Chassis ground: (3R) No. 9 — Chassis ground:</p> <p>Is the measured value more than specified value?</p>	1 MΩ	Go to step 8.	LHD model: Replace the airbag main harness and front sub-sensor harness with body harness. RHD model: Go to step 4.
<p>4 CHECK AIRBAG MAIN HARNESS 1) Disconnect the connector (AB13) from (AB14), and connect the connector (1L) in test harness L to connector (AB13). 2) Measure the resistance between connector (3R) in test harness R and connector (3L) in test harness L.</p> <p>Connector & terminal (3R) No. 7 — (3L) No. 4: (3R) No. 9 — (3L) No. 3:</p> <p>Is the measured value less than specified value?</p>	10 Ω	Go to step 5.	Replace the airbag main harness with body harness.
<p>5 CHECK AIRBAG MAIN HARNESS Measure the resistance between connector (3R) in test harness R and the chassis ground.</p> <p>Connector & terminal (3R) No. 7 — Chassis ground: (3R) No. 9 — Chassis ground:</p> <p>Is the measured value more than specified value?</p>	1 MΩ	Go to step 6.	Replace the airbag main harness with body harness.

DIAGNOSTIC CHART WITH TROUBLE CODE

AIRBAG SYSTEM (DIAGNOSTICS)

Step	Value	Yes	No
<p>6 CHECK FRONT SUB-SENSOR HARNESS (RH). 1)Connect the connector (2L) in test harness F to the connector (AB14). 2)Measure the resistance between connector (3H) in test harness H and connector (3L) in the test harness L. Connector & terminal (3L) No. 5 — (3H) No. 5: (3L) No. 6 — (3H) No. 6: Is the measured value less than specified value?</p>	10 Ω	Go to step 7.	Replace the front sub-sensor harness (RH) with body harness.
<p>7 CHECK FRONT SUB-SENSOR HARNESS (RH). Measure the resistance between connector (3L) in test harness L and the chassis ground. Connector & terminal (3L) No. 5 — Chassis ground: (3L) No. 6 — Chassis ground: Is the measured value more than specified value?</p>	1 MΩ	Go to step 8.	Replace the front sub-sensor harness (RH) with body harness.
<p>8 CHECK FRONT SUB-SENSOR (RH). 1)Connect the connector (2H) in test harness H to front sub-sensor (RH). 2)Measure the resistance of the connector (3H) in test harness H. Connector & terminal (3H) No. 3 — No. 4: Is the measured value within specified value?</p>	750 Ω and 1 KΩ	Go to step 9.	Replace the front sub-sensor (RH). <Ref. to AB-21, Front Sub Sensor.>
<p>9 CHECK FRONT SUB-SENSOR (RH). Measure the resistance between connector (3H) in test harness H and the chassis ground. Connector & terminal (3H) No. 3 — Chassis ground: (3H) No. 4 — Chassis ground: Is the measured value more than specified value?</p>	1 MΩ	Finish the diagnosis.	Replace the front sub-sensor (RH). <Ref. to AB-21, Front Sub Sensor.>

DIAGNOSTIC CHART WITH TROUBLE CODE

AIRBAG SYSTEM (DIAGNOSTICS)

K: DTC 32

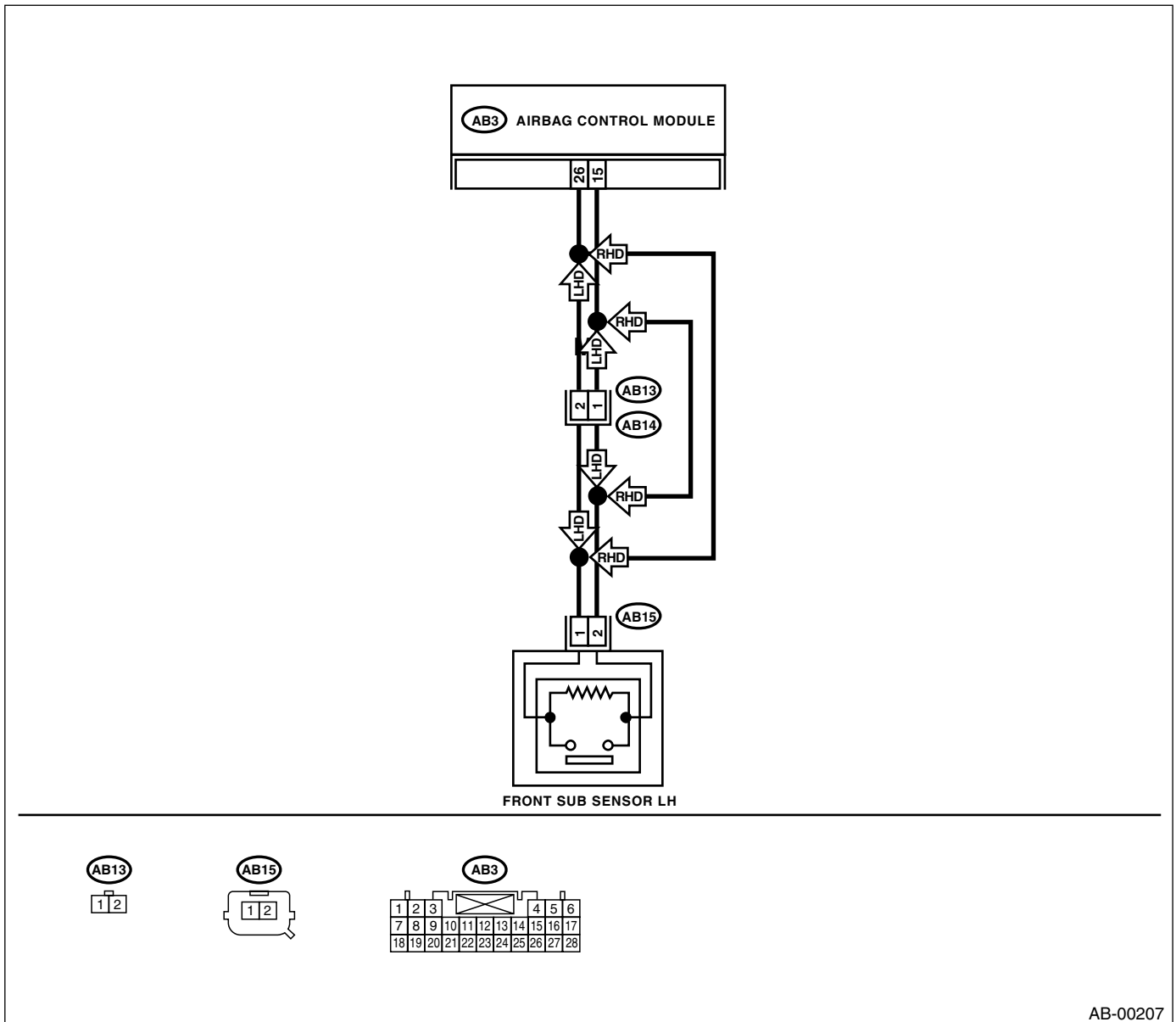
DIAGNOSIS:

- Front sub-sensor harness (LH) circuit is shorted, is shorted, open or shorted to power supply.
- Airbag harness is shorted, open or shorted to power supply.
- Front sub-sensor (LH) is faulty.
- Airbag control module is faulty.

CAUTION:

- Before diagnosing the airbag system, be sure to turn the ignition switch to OFF, disconnect the ground cable from battery, and wait more than 20 seconds before starting to work.
- When inspecting the airbag main harness, disconnect the driver's airbag module and passenger's airbag module connectors for safety reasons.

WIRING DIAGRAM:



AB-00207

DIAGNOSTIC CHART WITH TROUBLE CODE

AIRBAG SYSTEM (DIAGNOSTICS)

Step	Value	Yes	No
<p>1 CHECK FRONT SUB-SENSOR (LH) AND AIRBAG HARNESS. 1) Turn the ignition switch to OFF, disconnect the battery ground cable, and wait more than 20 seconds. 2) Disconnect the connector (AB3) from the airbag control module, and connect connector (1R) in the test harness R to connector (AB3). <Ref. to AB-18, Airbag Control Module.> 3) Measure the resistance of the connector (3R) in the test harness R.</p> <p>Connector & terminal (3R) No. 6 — No. 8:</p> <p>Is the measured value within specified value?</p>	750 Ω and 1 KΩ	Replace the airbag control module. <Ref. to AB-18, Airbag Control Module.>	Go to step 2.
<p>2 CHECK AIRBAG MAIN HARNESS AND FRONT SUB-SENSOR HARNESS (LH). 1) Disconnect the connector (AB15) from the front sub-sensor. <Ref. to AB-21, Front Sub Sensor.> 2) Connect the connector (1H) in test harness H to connector (AB15). 3) Measure the resistance between connector (3R) in test harness R and connector (3H) in test harness H.</p> <p>Connector & terminal (3R) No. 6 — (3H) No. 5: (3R) No. 8 — (3H) No. 6:</p> <p>Is the measured value less than specified value?</p>	10 Ω	Go to step 3.	LHD model: Go to step 4. RHD model: Replace the airbag main harness and front sub-sensor harness with body harness.
<p>3 CHECK AIRBAG MAIN HARNESS AND FRONT SUB-SENSOR HARNESS (LH). Measure the resistance between connector (3R) in test harness R and the chassis ground.</p> <p>Connector & terminal (3R) No. 6 — Chassis ground: (3R) No. 8 — Chassis ground:</p> <p>Is the measured value more than specified value?</p>	1 MΩ	Go to step 8.	LHD model: Go to step 4. RHD model: Replace the airbag main harness and front sub-sensor harness with body harness.
<p>4 CHECK AIRBAG MAIN HARNESS 1) Disconnect the connector (AB13) from (AB14), and connect the connector (1L) in test harness L to connector (AB13). 2) Measure the resistance between connector (3R) in test harness R and connector (3L) in test harness L.</p> <p>Connector & terminal (3R) No. 6 — (3L) No. 4: (3R) No. 8 — (3L) No. 3:</p> <p>Is the measured value less than specified value?</p>	10 Ω	Go to step 5.	Replace the airbag main harness with body harness.
<p>5 CHECK AIRBAG MAIN HARNESS Measure the resistance between connector (3R) in test harness R and the chassis ground.</p> <p>Connector & terminal (3R) No. 6 — Chassis ground: (3R) No. 8 — Chassis ground:</p> <p>Is the measured value more than specified value?</p>	1 MΩ	Go to step 6.	Replace the airbag main harness with body harness.

DIAGNOSTIC CHART WITH TROUBLE CODE

AIRBAG SYSTEM (DIAGNOSTICS)

Step	Value	Yes	No
6 CHECK FRONT SUB-SENSOR HARNESS (LH). 1)Connect the connector (2L) in test harness L to the connector (AB14). 2)Measure the resistance between connector (3H) in test harness H and connector (3L) in the test harness L. <i>Connector & terminal</i> <i>(3L) No. 5 — (3H) No. 5:</i> <i>(3L) No. 6 — (3H) No. 6:</i> Is the measured value less than specified value?	10 Ω	Go to step 7.	Replace the front sub-sensor harness (LH) with body harness.
7 CHECK FRONT SUB-SENSOR HARNESS (LH). Measure the resistance between connector (3L) in test harness L and the chassis ground. <i>Connector & terminal</i> <i>(3L) No. 5 — Chassis ground:</i> <i>(3L) No. 6 — Chassis ground:</i> Is the measured value more than specified value?	1 MΩ	Go to step 8.	Replace the front sub-sensor harness (LH) with body harness.
8 CHECK FRONT SUB-SENSOR (LH). 1)Connect the connector (2H) in test harness H to front sub-sensor (LH). 2)Measure the resistance of the connector (3H) in test harness H. <i>Connector & terminal</i> <i>(3H) No. 3 — No. 4:</i> Is the measured value within specified value?	750 Ω and 1 KΩ	Go to step 9.	Replace the front sub-sensor (LH). <Ref. to AB-21, Front Sub Sensor.>
9 CHECK FRONT SUB-SENSOR (LH). Measure the resistance between connector (3H) in test harness H and the chassis ground. <i>Connector & terminal</i> <i>(3H) No. 3 — Chassis ground:</i> <i>(3H) No. 4 — Chassis ground:</i> Is the measured value more than specified value?	1 MΩ	Finish the diagnosis.	Replace the front sub-sensor (LH). <Ref. to AB-21, Front Sub Sensor.>

DIAGNOSTIC CHART WITH TROUBLE CODE

AIRBAG SYSTEM (DIAGNOSTICS)

L: DTC 41

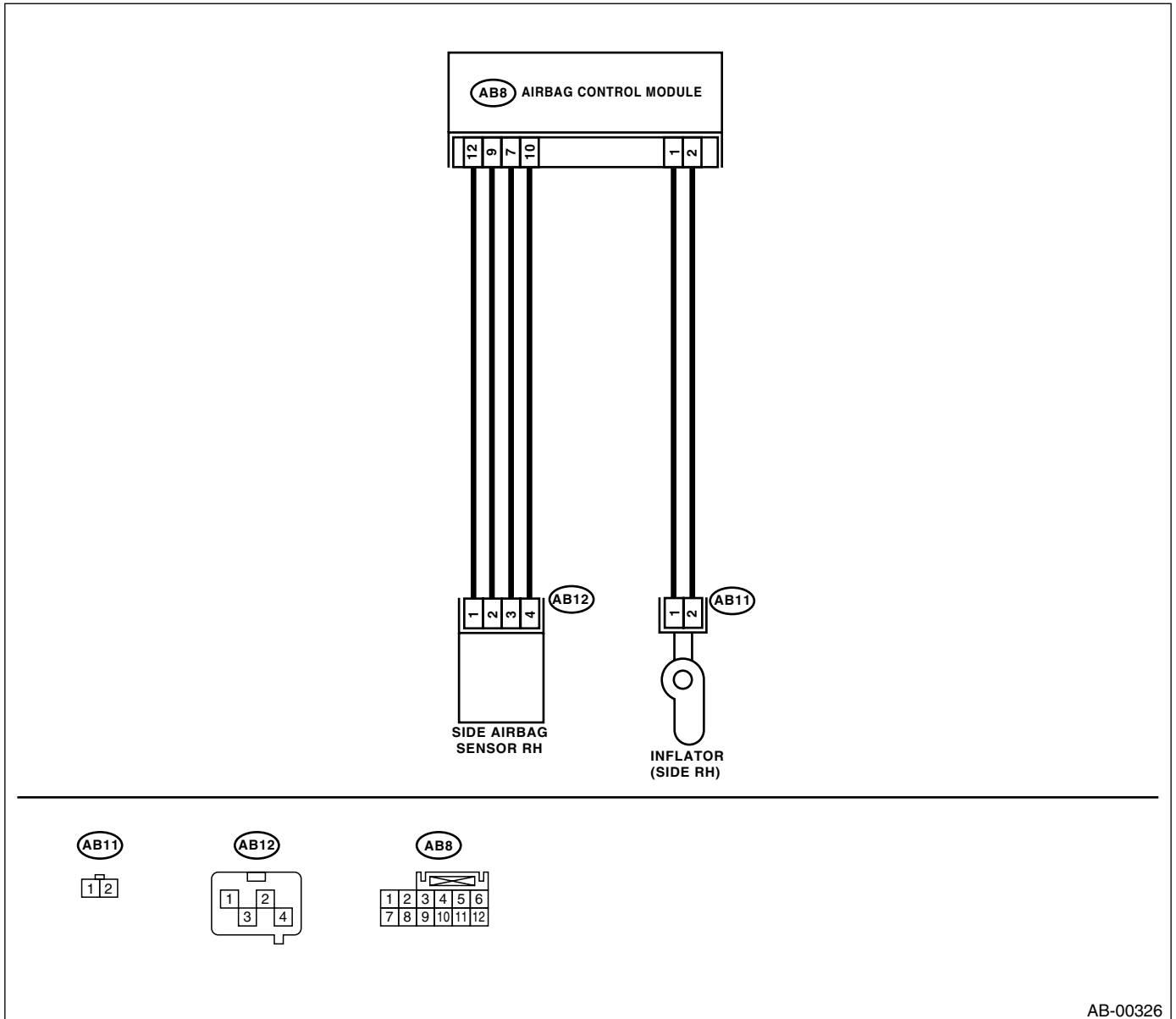
DIAGNOSIS:

- Side airbag harness (RH) is faulty.
- Side airbag module (RH) is faulty.
- Airbag control module is faulty.

CAUTION:

- Before diagnosing the airbag system, be sure to turn the ignition switch to OFF, disconnect the ground cable from battery, and wait more than 20 seconds before starting to work.
- When inspecting the airbag main harness, disconnect the driver's airbag module and passenger's airbag module connectors for safety reasons.
- When inspecting the side airbag harness, disconnect the side airbag module connector and seat belt pretensioner connector for the safety reasons.

WIRING DIAGRAM:



AB-00326

DIAGNOSTIC CHART WITH TROUBLE CODE

AIRBAG SYSTEM (DIAGNOSTICS)

Step	Value	Yes	No
<p>1 CHECK SIDE AIRBAG MODULE.</p> <p>1) Turn the ignition switch to OFF, disconnect the battery ground cable, and wait more than 20 seconds.</p> <p>2) Disconnect the connector (AB11) from side airbag module (RH), and connect the connector (1F) in test harness F to (AB11).</p> <p>3) Connect the airbag resistor to connector (3F) in test harness F.</p> <p>4) Connect the battery ground cable, and turn the ignition switch to ON.</p> <p>Is the airbag warning light turned off after it was illuminating approx. 6 seconds?</p>	<p>Airbag warning light is turned off after illuminating approx. 6 seconds.</p>	<p>Replace the front seat with side airbag module (RH). <Ref. to SE-5, Front Seat.></p>	<p>Go to step 2.</p>
<p>2 CHECK SIDE AIRBAG HARNESS (RH).</p> <p>1) Turn the ignition switch to OFF, disconnect the battery ground cable, and wait more than 20 seconds.</p> <p>2) Disconnect the connector (AB26) from the seat belt pretensioner (RH). <Ref. to SB-7, Front Seat Belt.></p> <p>3) For the vehicle with lap seat belt pretensioner, disconnect the connector (AB25) from lap pretensioner.</p> <p>4) Disconnect the airbag resistor from test harness F.</p> <p>5) Disconnect the connector (AB8) from air bag control module. <Ref. to AB-18, Airbag Control Module.></p> <p>6) Connect the connector (1R) in test harness R to connector (AB8).</p> <p>7) Measure the resistance between connector (3R) in test harness R and connector (3F) in test harness F.</p> <p>Connector & terminal (3R) No. 18 — (3F) No. 4: (3R) No. 20 — (3F) No. 3:</p> <p>Is the measured value less than specified value?</p>	<p>10 Ω</p>	<p>Go to step 3.</p>	<p>Replace the side airbag harness with body harness.</p>
<p>3 CHECK SIDE AIRBAG HARNESS (RH).</p> <p>Measure the resistance of the connector (3R) in test harness R.</p> <p>Connector & terminal (3R) No. 18 — No. 20:</p> <p>Is the measured value more than specified value?</p>	<p>1 MΩ</p>	<p>Go to step 4.</p>	<p>Replace the side airbag harness with body harness.</p>
<p>4 CHECK SIDE AIRBAG HARNESS (RH).</p> <p>Measure the resistance between connector (3R) in test harness R and the chassis ground.</p> <p>Connector & terminal (3R) No. 18 — Chassis ground: (3R) No. 20 — Chassis ground:</p> <p>Is the measured value more than specified value?</p>	<p>1 MΩ</p>	<p>Replace the airbag control module. <Ref. to AB-18, Airbag Control Module.></p>	<p>Replace the side airbag harness with body harness.</p>

DIAGNOSTIC CHART WITH TROUBLE CODE

AIRBAG SYSTEM (DIAGNOSTICS)

M: DTC 42

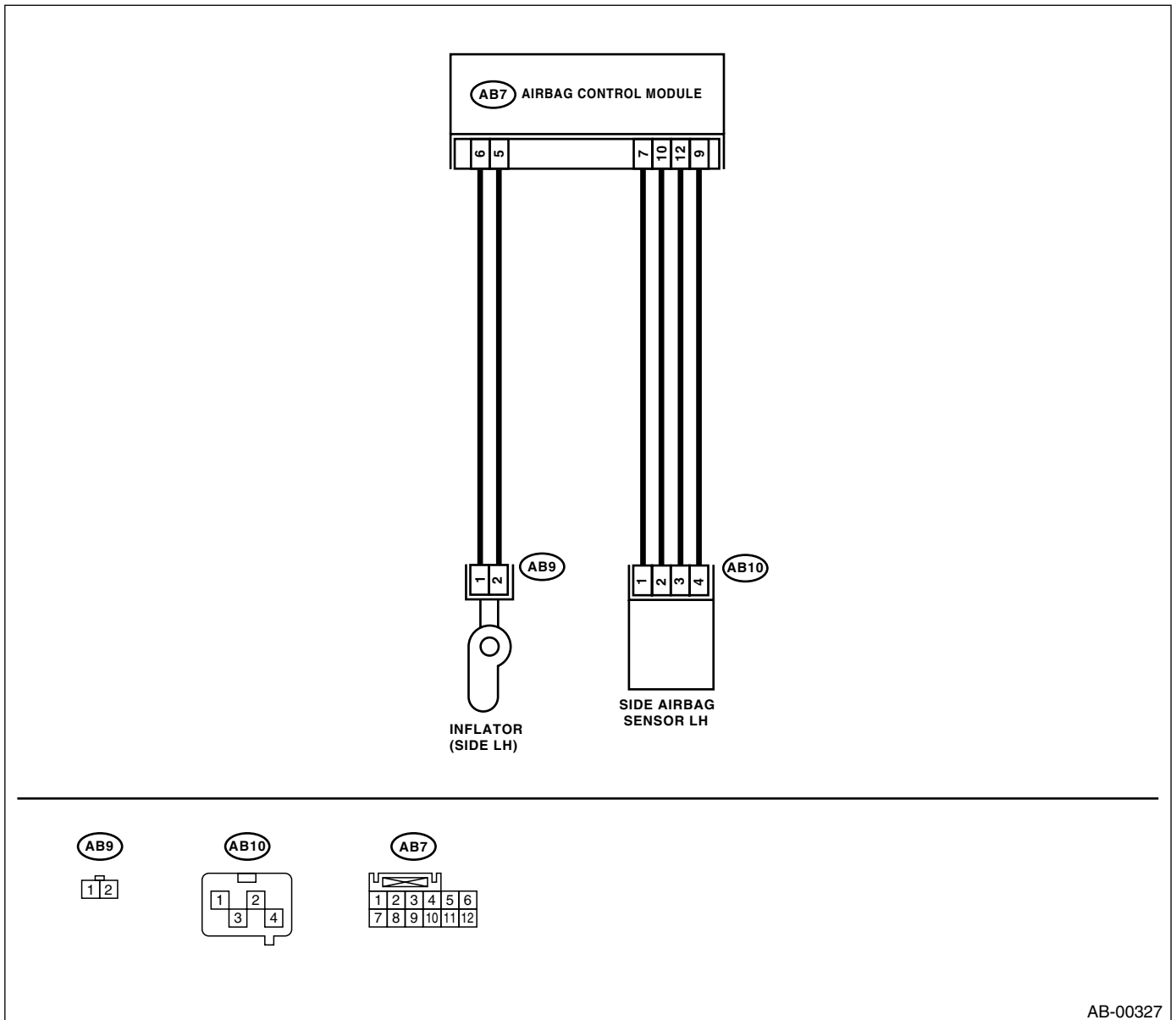
DIAGNOSIS:

- Side airbag harness (LH) is faulty.
- Side airbag module (LH) is faulty.
- Airbag control module is faulty.

CAUTION:

- Before diagnosing the airbag system, be sure to turn the ignition switch to OFF, disconnect the ground cable from battery, and wait more than 20 seconds before starting to work.
- When inspecting the airbag main harness, disconnect the driver's airbag module and passenger's airbag module connectors for safety reasons.
- When inspecting the side airbag harness, disconnect the side airbag module connector and seat belt pretensioner connector for the safety reasons.

WIRING DIAGRAM:



AB-00327

DIAGNOSTIC CHART WITH TROUBLE CODE

AIRBAG SYSTEM (DIAGNOSTICS)

Step	Value	Yes	No
<p>1 CHECK SIDE AIRBAG MODULE.</p> <p>1) Turn the ignition switch to OFF, disconnect the battery ground cable, and wait more than 20 seconds.</p> <p>2) Disconnect the connector (AB9) from side airbag module (LH), and connect the connector (1F) in test harness F to (AB9).</p> <p>3) Connect the airbag resistor to connector (3F) in test harness F.</p> <p>4) Connect the battery ground cable, and turn the ignition switch to ON.</p> <p>Is the airbag warning light turned off after it was illuminating approx. 6 seconds?</p>	<p>Airbag warning light is turned off after illuminating approx. 6 seconds.</p>	<p>Replace the front seat with side airbag module (LH). <Ref. to SE-5, Front Seat.></p>	<p>Go to step 2.</p>
<p>2 CHECK SIDE AIRBAG HARNESS (LH).</p> <p>1) Turn ignition switch to OFF, disconnect the battery ground cable, and wait more than 20 seconds.</p> <p>2) Disconnect the connector (AB19) from the seat belt pretensioner (LH). <Ref. to SB-7, Front Seat Belt.></p> <p>3) Disconnect the airbag resistor from the test harness.</p> <p>4) Disconnect the connector (AB7) from the airbag control module. <Ref. to AB-18, Airbag Control Module.></p> <p>5) Connect the connector (1R) in test harness R to connector (AB7).</p> <p>6) Measure the resistance between connector (3R) in test harness R and connector (3F) in test harness F.</p> <p>Connector & terminal (3R) No. 12 — (3F) No. 3: (3R) No. 10 — (3F) No. 4:</p> <p>Is the measured value less than specified value?</p>	<p>10 Ω</p>	<p>Go to step 3.</p>	<p>Replace the side airbag harness with body harness.</p>
<p>3 CHECK SIDE AIRBAG HARNESS (LH).</p> <p>Measure the resistance of the connector (3R) in test harness R.</p> <p>Connector & terminal (3R) No. 12 — No. 10:</p> <p>Is the measured value more than specified value?</p>	<p>1 MΩ</p>	<p>Go to step 4.</p>	<p>Replace the side airbag harness with body harness.</p>
<p>4 CHECK SIDE AIRBAG HARNESS (LH).</p> <p>Measure the resistance between connector (3R) in test harness R and the chassis ground.</p> <p>Connector & terminal (3R) No. 10 — Chassis ground: (3R) No. 12 — Chassis ground:</p> <p>Is the measured value more than specified value?</p>	<p>1 MΩ</p>	<p>Replace the airbag control module. <Ref. to AB-18, Airbag Control Module.></p>	<p>Replace the side airbag harness with body harness.</p>

DIAGNOSTIC CHART WITH TROUBLE CODE

AIRBAG SYSTEM (DIAGNOSTICS)

N: DTC 45

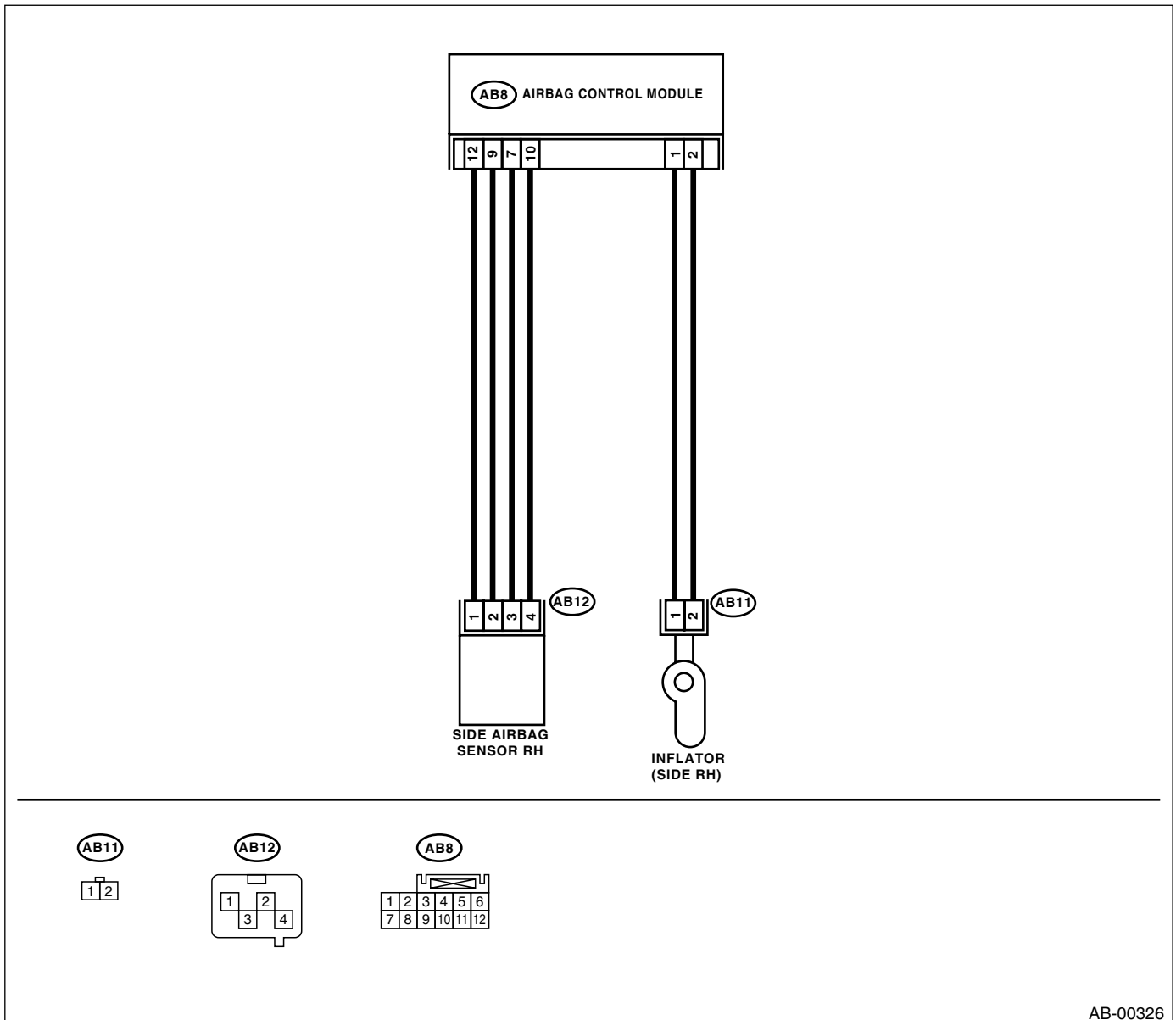
DIAGNOSIS:

- Side airbag harness is shorted to power supply.
- Side airbag module (RH) is faulty.
- Airbag control module is faulty.

CAUTION:

- Before diagnosing the airbag system, be sure to turn the ignition switch to OFF, disconnect the ground cable from battery, and wait more than 20 seconds before starting to work.
- When inspecting the airbag main harness, disconnect the driver's airbag module and passenger's airbag module connectors for safety reasons.
- When inspecting the side airbag harness, disconnect the side airbag module connector and seat belt pretensioner connector for the safety reasons.

WIRING DIAGRAM:



AB-00326

DIAGNOSTIC CHART WITH TROUBLE CODE

AIRBAG SYSTEM (DIAGNOSTICS)

Step	Value	Yes	No
<p>1 CHECK SIDE AIRBAG MODULE.</p> <p>1) Turn the ignition switch to OFF, disconnect the battery ground cable, and wait more than 20 seconds.</p> <p>2) Disconnect the connector (AB11) from side airbag module (RH), and connect the connector (1F) in test harness F to (AB11).</p> <p>3) Connect the airbag resistor to connector (3F) in test harness F.</p> <p>4) Connect the battery ground cable, and turn the ignition switch to ON.</p> <p>Is the airbag warning light turned off after it was illuminating approx. 6 seconds?</p>	<p>Airbag warning light is turned off after illuminating approx. 6 seconds.</p>	<p>Replace the front seat with side airbag module (RH). <Ref. to SE-5, Front Seat.></p>	<p>Go to step 2.</p>
<p>2 CHECK SIDE AIRBAG HARNESS (RH).</p> <p>1) Turn the ignition switch to OFF, disconnect the battery ground cable, and wait more than 20 seconds.</p> <p>2) Disconnect the connector (AB20) from the seat belt pretensioner (RH). <Ref. to SB-7, Front Seat Belt.></p> <p>3) For the vehicle with lap seat belt pretensioner, disconnect the connector (AB25) from lap pretensioner.</p> <p>4) Disconnect the airbag resistor from the test harness.</p> <p>5) Disconnect the connector (AB8) from the airbag control module. <Ref. to AB-18, Airbag Control Module.></p> <p>6) Connect the connector (1R) in test harness R to connector (AB8).</p> <p>7) Connect the battery ground cable, and turn the ignition switch to ON.</p> <p>8) Measure the voltage between connector (3R) in test harness R and the chassis ground.</p> <p>Connector & terminal</p> <p>(3R) No. 18 (+) — Chassis ground (-):</p> <p>(3R) No. 20 (+) — Chassis ground (-):</p> <p>Is the measured value less than specified value?</p>	<p>1 V</p>	<p>Replace the airbag control module. <Ref. to AB-18, Airbag Control Module.></p>	<p>Replace the side airbag harness with body harness.</p>

DIAGNOSTIC CHART WITH TROUBLE CODE

AIRBAG SYSTEM (DIAGNOSTICS)

O: DTC 46

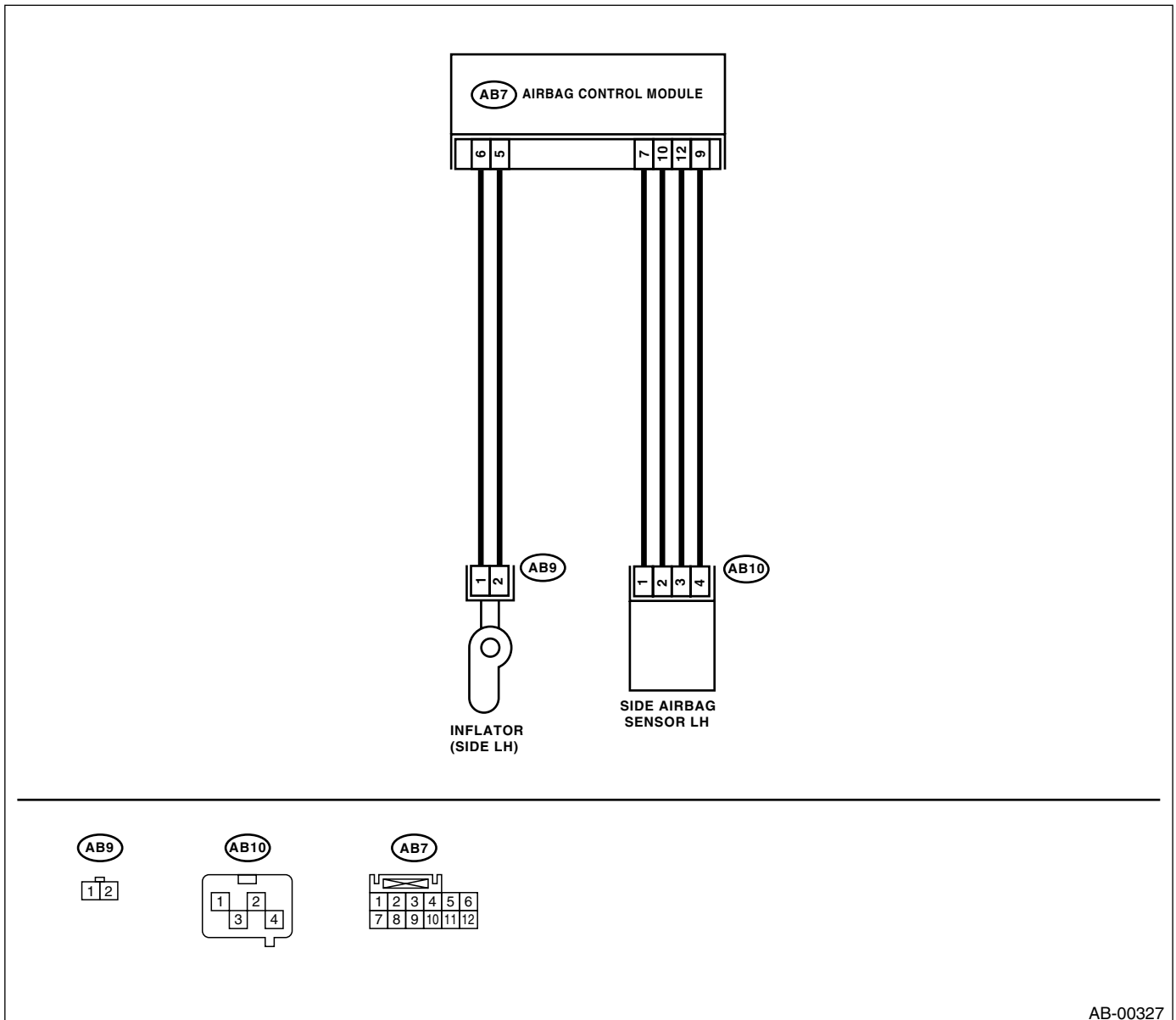
DIAGNOSIS:

- Side airbag harness is shorted to power supply.
- Side airbag module (LH) is faulty.
- Airbag control module is faulty.

CAUTION:

- Before diagnosing the airbag system, be sure to turn the ignition switch to OFF, disconnect the ground cable from battery, and wait more than 20 seconds before starting to work.
- When inspecting the airbag main harness, disconnect the driver's airbag module and passenger's airbag module connectors for safety reasons.
- When inspecting the side airbag harness, disconnect the side airbag module connector and seat belt pretensioner connector for the safety reasons.

WIRING DIAGRAM:



AB-00327

DIAGNOSTIC CHART WITH TROUBLE CODE

AIRBAG SYSTEM (DIAGNOSTICS)

Step	Value	Yes	No
<p>1 CHECK SIDE AIRBAG MODULE.</p> <p>1) Turn the ignition switch to OFF, disconnect the battery ground cable, and wait more than 20 seconds.</p> <p>2) Disconnect the connector (AB9) from side airbag module (LH), and connect the connector (1F) in test harness F to (AB9).</p> <p>3) Connect the airbag resistor to connector (3F) in test harness F.</p> <p>4) Connect the battery ground cable and turn the ignition switch to ON.</p> <p>Is the airbag warning light turned off after it was illuminating approx. 6 seconds?</p>	<p>Airbag warning light is turned off after illuminating approx. 6 seconds.</p>	<p>Replace the front seat with side airbag module (LH). <Ref. to SE-5, Front Seat.></p>	<p>Go to step 2.</p>
<p>2 CHECK SIDE AIRBAG HARNESS (LH).</p> <p>1) Turn the ignition switch to OFF, disconnect the battery ground cable, and wait more than 20 seconds.</p> <p>2) Disconnect the connector (AB19) from the seat belt pretensioner (LH). <Ref. to SB-7, Front Seat Belt.></p> <p>3) Disconnect the airbag resistor from the test harness.</p> <p>4) Disconnect the connector (AB7) from the airbag control module. <Ref. to AB-18, Airbag Control Module.></p> <p>5) Connect the connector (1R) in test harness R to connector (AB7).</p> <p>6) Connect the battery ground cable, and turn the ignition switch to ON.</p> <p>7) Measure the voltage between connector (3R) in test harness R and the chassis ground.</p> <p>Connector & terminal</p> <p>(3R) No. 10 (+) — Chassis ground (-):</p> <p>(3R) No. 12 (+) — Chassis ground (-):</p> <p>Is the measured value less than specified value?</p>	<p>1 V</p>	<p>Replace the airbag control module. <Ref. to AB-18, Airbag Control Module.></p>	<p>Replace the side airbag harness with body harness.</p>

DIAGNOSTIC CHART WITH TROUBLE CODE

AIRBAG SYSTEM (DIAGNOSTICS)

P: DTC 51

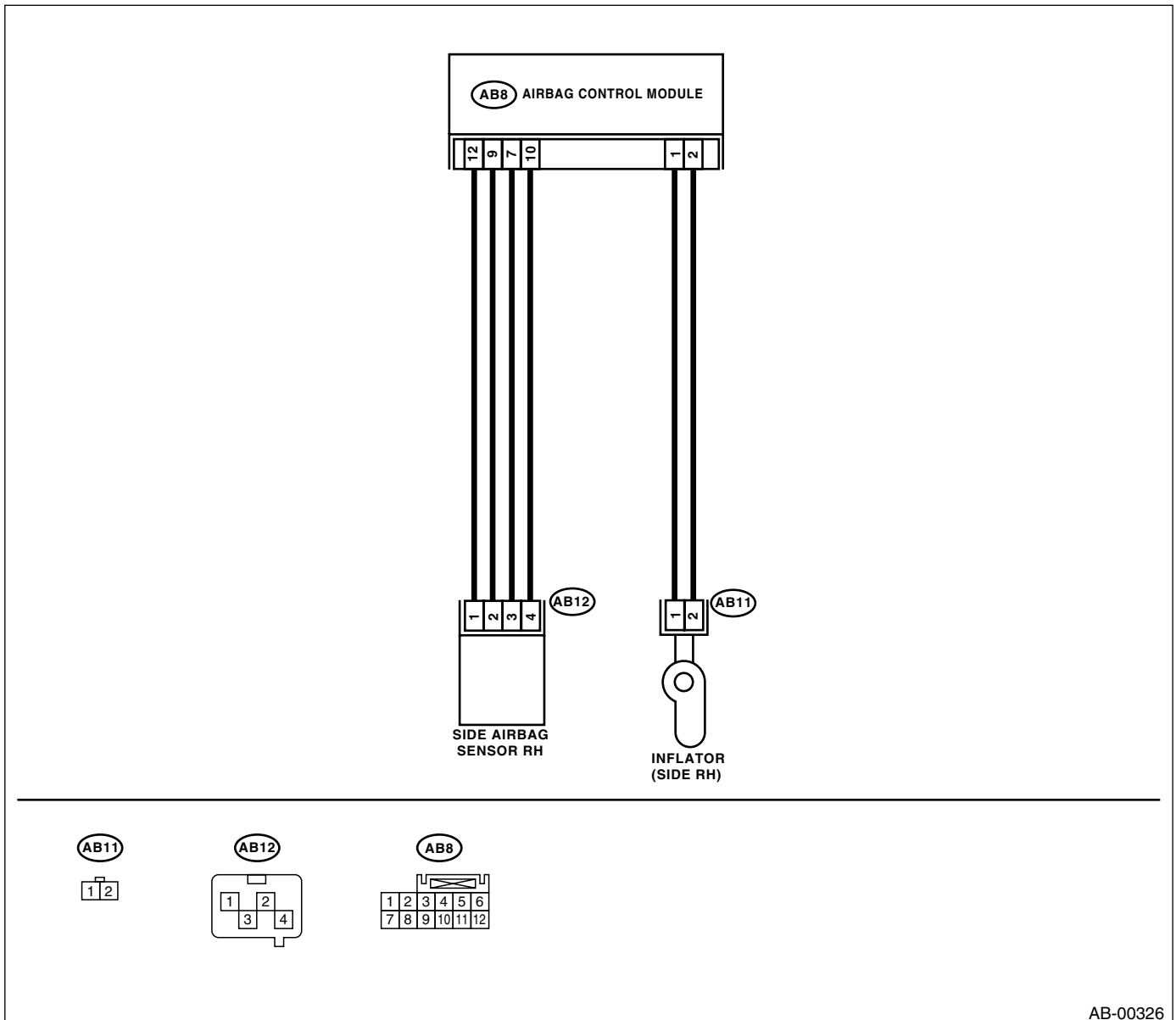
DIAGNOSIS:

- Side airbag sensor (RH) is faulty.
- Side airbag harness is faulty.
- Airbag control module is faulty.

CAUTION:

- Before diagnosing the airbag system, be sure to turn the ignition switch to OFF, disconnect the ground cable from battery, and wait more than 20 seconds before starting to work.
- When inspecting the airbag main harness, disconnect the driver's airbag module and passenger's airbag module connectors for safety reasons.
- When inspecting the side airbag harness, disconnect the side airbag module connector and seat belt pretensioner connector for the safety reasons.

WIRING DIAGRAM:



AB-00326

DIAGNOSTIC CHART WITH TROUBLE CODE

AIRBAG SYSTEM (DIAGNOSTICS)

Step	Value	Yes	No
<p>1</p> <p>CHECK SIDE AIRBAG HARNESS.</p> <p>1) Turn the ignition switch to OFF, disconnect the battery ground cable, and wait more than 20 seconds.</p> <p>2) Disconnect the connector (AB20) from the seat belt pretensioner (RH). <Ref. to SB-7, Front Seat Belt.></p> <p>3) For the vehicle with lap seat belt pretensioner, disconnect the connector (AB25) from lap pretensioner.</p> <p>4) Disconnect the connector (AB11) from side airbag module (RH).</p> <p>5) Disconnect the connector (AB8) from the airbag control module. <Ref. to AB-18, Airbag Control Module.></p> <p>6) Connect the connector (1R) in test harness R to the connector (AB8).</p> <p>7) Disconnect the connector (AB12) from the side airbag sensor (RH), and connect the connector (1G) in test harness G to connector (AB12).</p> <p>8) Measure the resistance between connector (4R) in test harness R and connector (3G) in test harness G.</p> <p>Connector & terminal</p> <p>(4R) No. 5 — (3G) No. 2:</p> <p>(4R) No. 6 — (3G) No. 4:</p> <p>(4R) No. 7 — (3G) No. 1:</p> <p>(4R) No. 8 — (3G) No. 5:</p> <p>Is the measured value less than specified value?</p>	<p>10 Ω</p>	<p>Go to step 2.</p>	<p>Replace the side airbag harness with body harness.</p>
<p>2</p> <p>CHECK SIDE AIRBAG HARNESS.</p> <p>Measure the resistance between connector (4R) in test harness R and the chassis ground.</p> <p>Connector & terminal</p> <p>(4R) No. 5 — Chassis ground:</p> <p>(4R) No. 6 — Chassis ground:</p> <p>(4R) No. 7 — Chassis ground:</p> <p>(4R) No. 8 — Chassis ground:</p> <p>Is the measured value more than specified value?</p>	<p>1 MΩ</p>	<p>Replace the side airbag sensor (RH). <Ref. to AB-19, Side Airbag Sensor.> When sensor replacement is not OK, replace the airbag control module. <Ref. to AB-18, Airbag Control Module.></p>	<p>Replace the side airbag harness with body harness.</p>

DIAGNOSTIC CHART WITH TROUBLE CODE

AIRBAG SYSTEM (DIAGNOSTICS)

Q: DTC 52

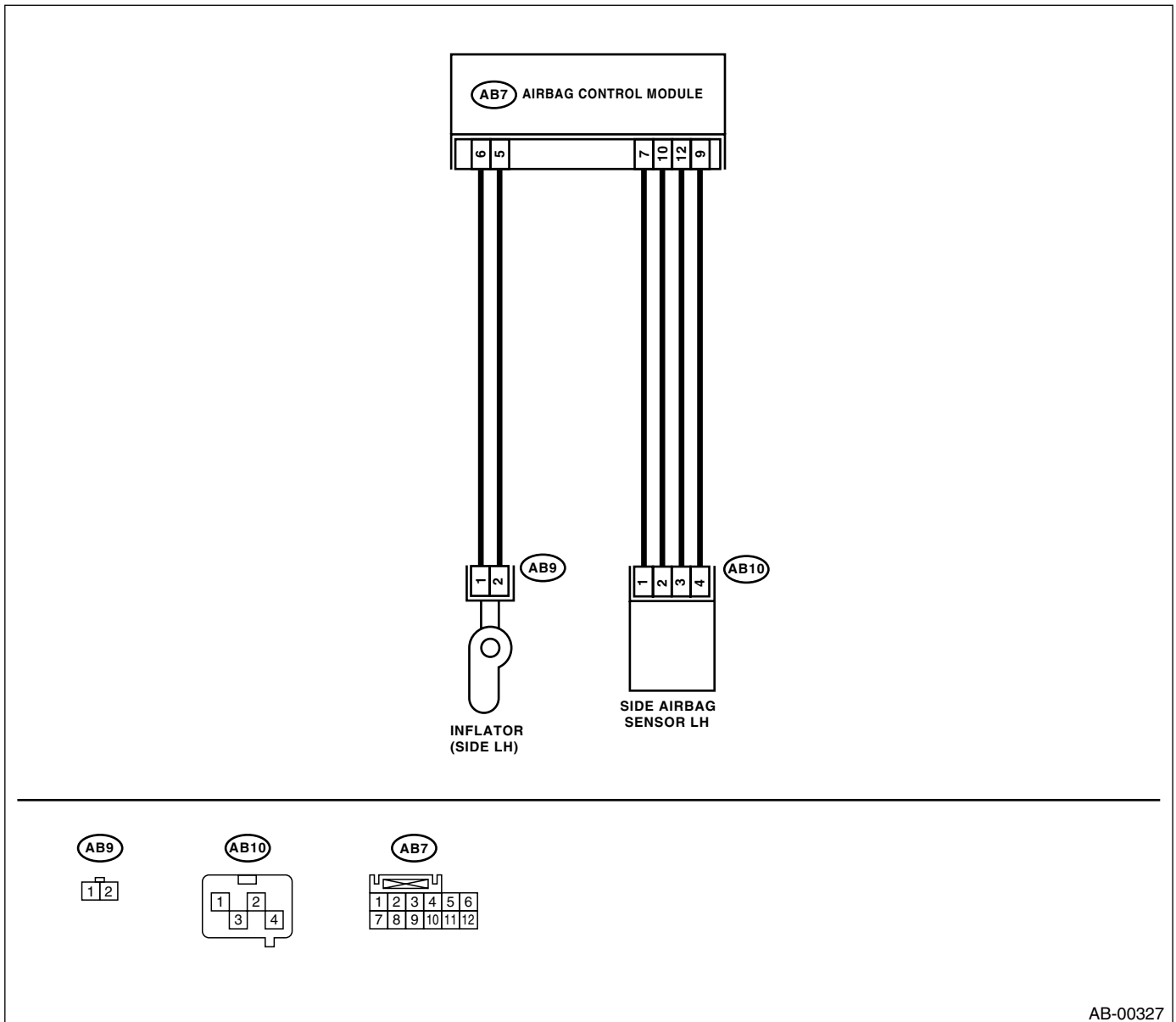
DIAGNOSIS:

- Side airbag sensor (LH) is faulty.
- Side airbag harness is faulty.
- Airbag control module is faulty.

CAUTION:

- Before diagnosing the airbag system, be sure to turn the ignition switch to OFF, disconnect the ground cable from battery, and wait more than 20 seconds before starting to work.
- When inspecting the airbag main harness, disconnect the driver's airbag module and passenger's airbag module connectors for safety reasons.
- When inspecting the side airbag harness, disconnect the side airbag module connector and seat belt pretensioner connector for the safety reasons.

WIRING DIAGRAM:



AB-00327

DIAGNOSTIC CHART WITH TROUBLE CODE

AIRBAG SYSTEM (DIAGNOSTICS)

Step	Value	Yes	No
<p>1</p> <p>CHECK SIDE AIRBAG HARNESS.</p> <p>1) Turn the ignition switch to OFF, disconnect the battery ground cable, and wait more than 20 seconds.</p> <p>2) Disconnect the connector (AB19) from the seat belt pretensioner (LH). <Ref. to SB-7, Front Seat Belt.></p> <p>3) Disconnect the connector (AB9) from side airbag module (LH).</p> <p>4) Disconnect the connector (AB7) from the airbag control module. <Ref. to AB-18, Airbag Control Module.></p> <p>5) Connect the connector (1R) in test harness R to connector (AB7).</p> <p>6) Disconnect the connector (AB10) from the side airbag sensor (LH), and connect the connector (1G) in test harness G to connector (AB10).</p> <p>7) Measure the resistance between connector (4R) in test harness R and connector (3G) in test harness G.</p> <p>Connector & terminal</p> <p>(4R) No. 4 — (3G) No. 2:</p> <p>(4R) No. 3 — (3G) No. 4:</p> <p>(4R) No. 2 — (3G) No. 1:</p> <p>(4R) No. 1 — (3G) No. 5:</p> <p>Is the measured value less than specified value?</p>	<p>10 Ω</p>	<p>Go to step 2.</p>	<p>Replace the side airbag harness with body harness.</p>
<p>2</p> <p>CHECK SIDE AIRBAG HARNESS.</p> <p>Measure the resistance between connector (4R) in test harness R and the chassis ground.</p> <p>Connector & terminal</p> <p>(4R) No. 4 — Chassis ground:</p> <p>(4R) No. 3 — Chassis ground:</p> <p>(4R) No. 2 — Chassis ground:</p> <p>(4R) No. 1 — Chassis ground:</p> <p>Is the measured value more than specified value?</p>	<p>1 MΩ</p>	<p>Replace the side airbag sensor (LH). <Ref. to AB-19, Side Airbag Sensor.> When sensor replacement is not OK, replace the airbag control module. <Ref. to AB-18, Airbag Control Module.></p>	<p>Replace the side airbag harness with body harness.</p>

DIAGNOSTIC CHART WITH TROUBLE CODE

AIRBAG SYSTEM (DIAGNOSTICS)

R: DTC 53

DIAGNOSIS:

- Side airbag sensor (RH) is faulty.

When Code 53 is displayed, the circuit within the side airbag sensor (RH) is faulty. Replace the side airbag sensor (RH).

<Ref. to AB-19, Side Airbag Sensor.>

S: DTC 54

DIAGNOSIS:

- Side airbag sensor (LH) is faulty.

When Code 53 is displayed, the circuit within the side airbag sensor (LH) is faulty. Replace the side airbag sensor (LH).

<Ref. to AB-19, Side Airbag Sensor.>

T: DTC 55

This code is displayed when the side airbag is deployed.

When this code is displayed, the memory cannot be erased. Replace the following parts.

- Airbag control module. <Ref. to AB-18, Airbag Control Module.>
- Front seat with side airbag module. (Operating side) <Ref. to SE-5, Front Seat.>
- Side airbag sensor. (Operating side) <Ref. to AB-19, Side Airbag Sensor.>

DIAGNOSTIC CHART WITH TROUBLE CODE

AIRBAG SYSTEM (DIAGNOSTICS)

U: DTC 61

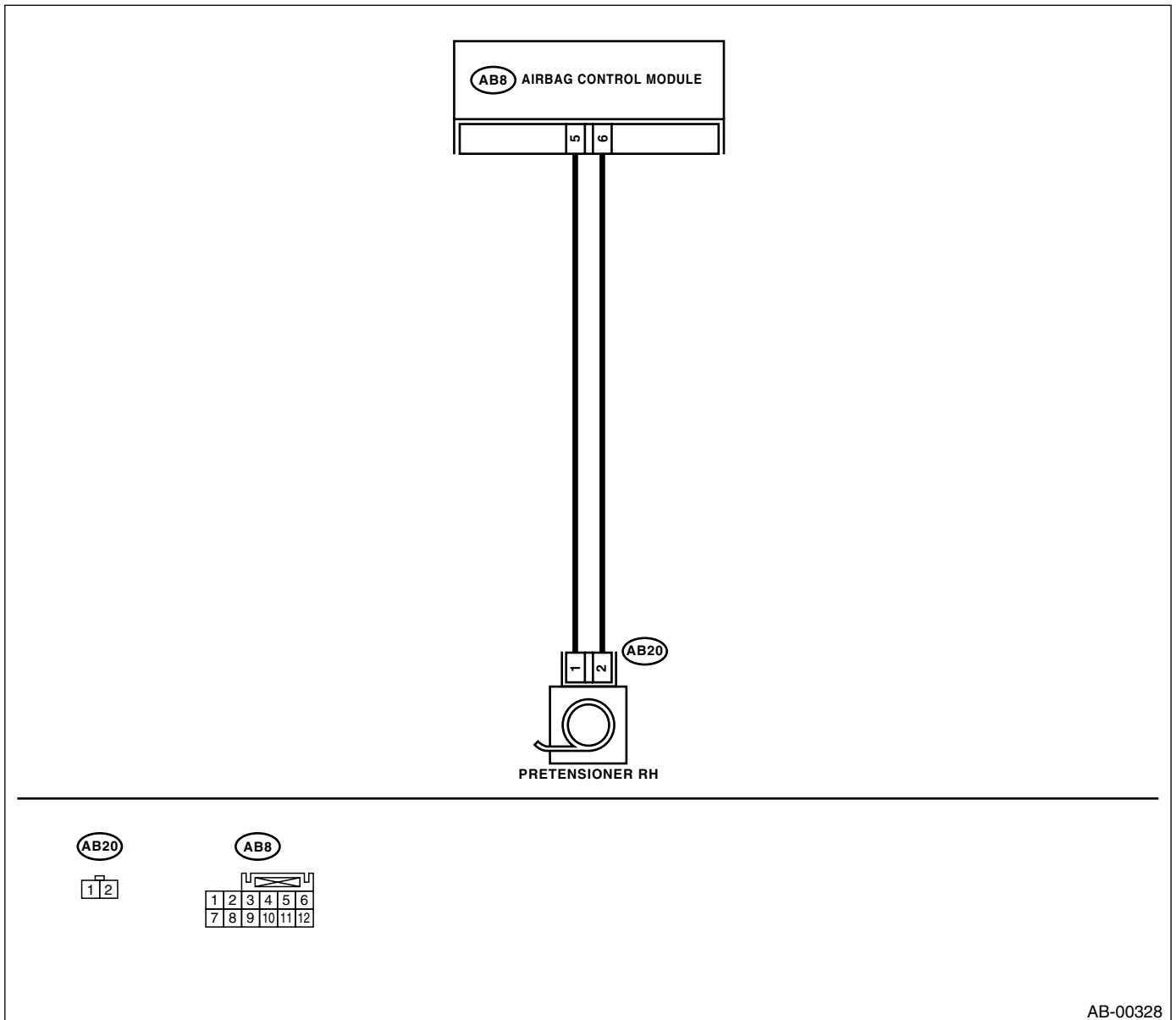
DIAGNOSIS:

- Seat belt pretensioner (RH) circuit is open, shorted or shorted to ground.
- Airbag control module is faulty.
- Pretensioner is faulty.
- Airbag harness is faulty.

CAUTION:

- Before diagnosing the airbag system, be sure to turn the ignition switch to OFF, disconnect the ground cable from battery, and wait more than 20 seconds before starting to work.
- When inspecting the side airbag harness, disconnect the side airbag module connector and seat belt pretensioner connector for the safety reasons.

WIRING DIAGRAM:



DIAGNOSTIC CHART WITH TROUBLE CODE

AIRBAG SYSTEM (DIAGNOSTICS)

Step	Value	Yes	No
<p>1 CHECK SEAT BELT PRETENSIONER. 1) Turn the ignition switch to OFF, disconnect the battery ground cable, and wait more than 20 seconds. 2) Disconnect the connector (AB20) from the seat belt pretensioner (RH). <Ref. to SB-7, Front Seat Belt.> 3) Connect the connector (1F) in test harness F to (AB20). 4) Connect the airbag resistor to connector (3F) in test harness F. 5) Connect the battery ground cable and turn the ignition switch to ON. Is the airbag warning light turned off after it was illuminating approx. 6 seconds?</p>	<p>Airbag warning light is turned off after illuminating approx. 6 seconds.</p>	<p>Replace the seat belt pretensioner (RH). <Ref. to SB-7, Front Seat Belt.></p>	<p>Go to step 2.</p>
<p>2 CHECK SIDE AIRBAG HARNESS (RH). 1) Turn the ignition switch to OFF, disconnect the battery ground cable, and wait more than 20 seconds. 2) Disconnect the airbag resistor from the test harness. 3) Disconnect the connector (AB11) from side airbag module (RH). 4) Disconnect the connectors (AB7) and (AB8) from the airbag control module. <Ref. to AB-18, Airbag Control Module.> 5) Connect the connector (1R) in test harness R to connector (AB8). 6) Measure the resistance between connector (3R) in test harness R and connector (3F) in test harness F. Connector & terminal (3R) No. 17 — (3F) No. 4: (3R) No. 19 — (3F) No. 3: Is the measured value less than specified value?</p>	<p>10 Ω</p>	<p>Go to step 3.</p>	<p>Replace the side airbag harness with body harness.</p>
<p>3 CHECK SIDE AIRBAG HARNESS (RH). Measure the resistance of the connector (3R) in test harness R. Connector & terminal (3R) No. 17 — No. 19: Is the measured value more than specified value?</p>	<p>1 MΩ</p>	<p>Go to step 4.</p>	<p>Replace the side airbag harness with body harness.</p>
<p>4 CHECK SIDE AIRBAG HARNESS (RH). Measure the resistance between connector (3R) in test harness R and the chassis ground. Connector & terminal (3R) No. 17 — Chassis ground: (3R) No. 19 — Chassis ground: Is the measured value more than specified value?</p>	<p>1 MΩ</p>	<p>Replace the airbag control module. <Ref. to AB-18, Airbag Control Module.></p>	<p>Replace the side airbag harness with body harness.</p>

DIAGNOSTIC CHART WITH TROUBLE CODE

AIRBAG SYSTEM (DIAGNOSTICS)

V: DTC 62

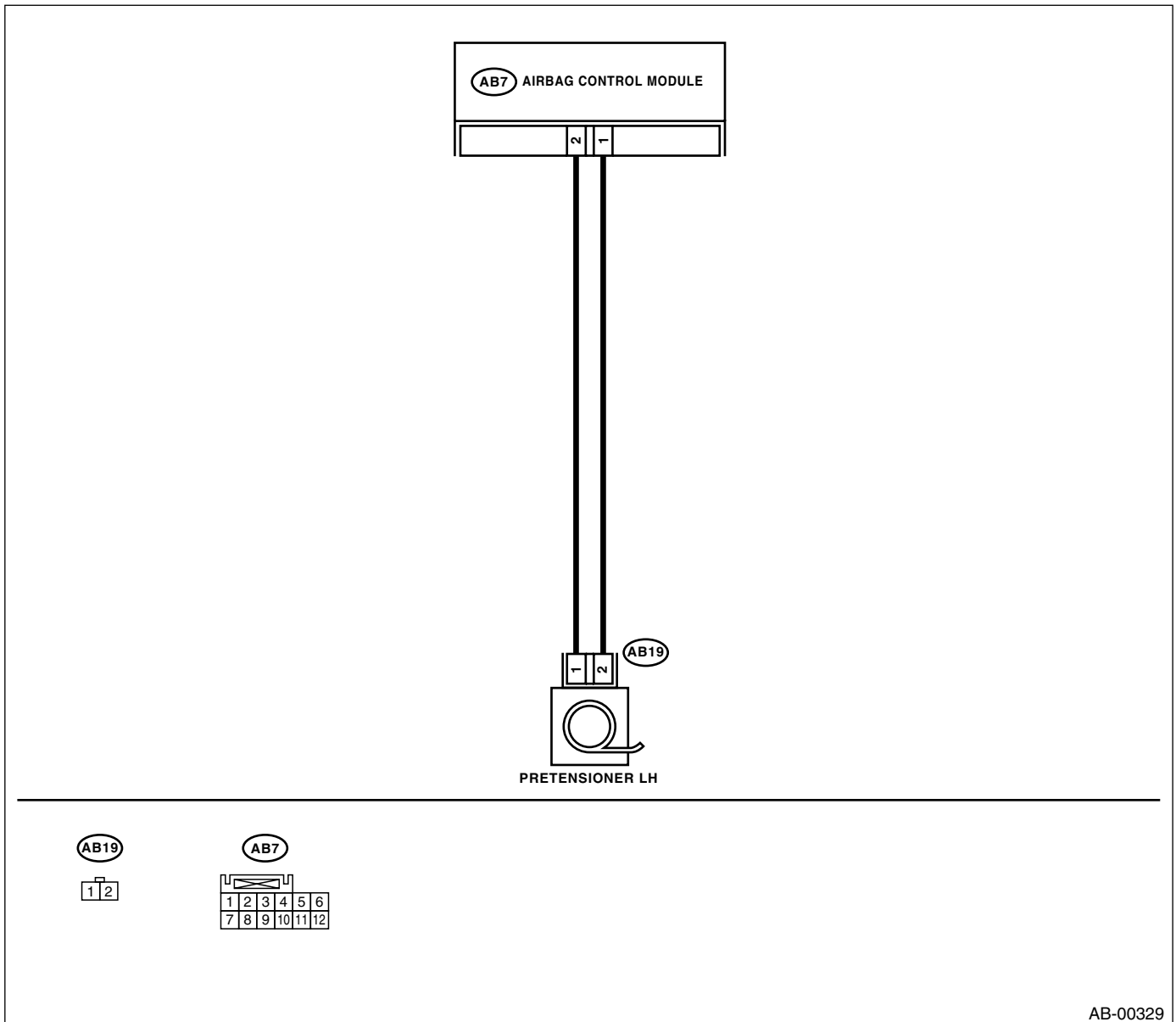
DIAGNOSIS:

- Seat belt pretensioner (LH) circuit is open, shorted or shorted to ground.
- Airbag control module is faulty.
- Pretensioner is faulty.
- Airbag harness is faulty.

CAUTION:

- Before diagnosing the airbag system, be sure to turn the ignition switch to OFF, disconnect the ground cable from battery, and wait more than 20 seconds before starting to work.
- When inspecting the side airbag harness, disconnect the side airbag module connector and seat belt pretensioner connector for the safety reasons.

WIRING DIAGRAM:



DIAGNOSTIC CHART WITH TROUBLE CODE

AIRBAG SYSTEM (DIAGNOSTICS)

Step	Value	Yes	No
<p>1 CHECK SEAT BELT PRETENSIONER. 1) Turn the ignition switch to OFF, disconnect the battery ground cable, and wait more than 20 seconds. 2) Disconnect the connector (AB19) from the seat belt pretensioner (LH). <Ref. to SB-7, Front Seat Belt.> 3) Connect the connector (1F) in test harness F to (AB19). 4) Connect the airbag resistor to the connector (3F) in test harness F. 5) Connect the battery ground cable and turn the ignition switch to ON. Is the airbag warning light turned off after it was illuminating approx. 6 seconds?</p>	<p>Airbag warning light is turned off after illuminating approx. 6 seconds.</p>	<p>Replace the seat belt pretensioner (LH). <Ref. to SB-7, Front Seat Belt.></p>	<p>Go to step 2.</p>
<p>2 CHECK SIDE AIRBAG HARNESS (LH). 1) Turn the ignition switch to OFF, disconnect the battery ground cable, and wait more than 20 seconds. 2) Disconnect the airbag resistor from the test harness. 3) Disconnect the connector (AB9) from side airbag module (LH). 4) Disconnect the connectors (AB7) and (AB8) from the airbag control module. <Ref. to AB-18, Airbag Control Module.> 5) Connect the connector (1R) in test harness R to the connector (AB7). 6) Measure the resistance between connector (3R) in test harness R and the connector (3F) in test harness F. Connector & terminal (3R) No. 11 — (3F) No. 4: (3R) No. 13 — (3F) No. 3: Is the measured value less than specified value?</p>	<p>10 Ω</p>	<p>Go to step 3.</p>	<p>Replace the side airbag harness with body harness.</p>
<p>3 CHECK SIDE AIRBAG HARNESS. Measure the resistance of the connector (3R) in test harness R. Connector & terminal (3R) No. 11 — No. 13: Is the measured value more than specified value?</p>	<p>1 MΩ</p>	<p>Go to step 4.</p>	<p>Replace the side airbag harness with body harness.</p>
<p>4 CHECK SIDE AIRBAG HARNESS. Measure the resistance between the connector (3R) in test harness R and the chassis ground. Connector & terminal (3R) No. 11 — Chassis ground: (3R) No. 13 — Chassis ground: Is the measured value more than specified value?</p>	<p>1 MΩ</p>	<p>Replace the airbag control module. <Ref. to AB-18, Airbag Control Module.></p>	<p>Replace the side airbag harness with body harness.</p>

DIAGNOSTIC CHART WITH TROUBLE CODE

AIRBAG SYSTEM (DIAGNOSTICS)

W: DTC 65

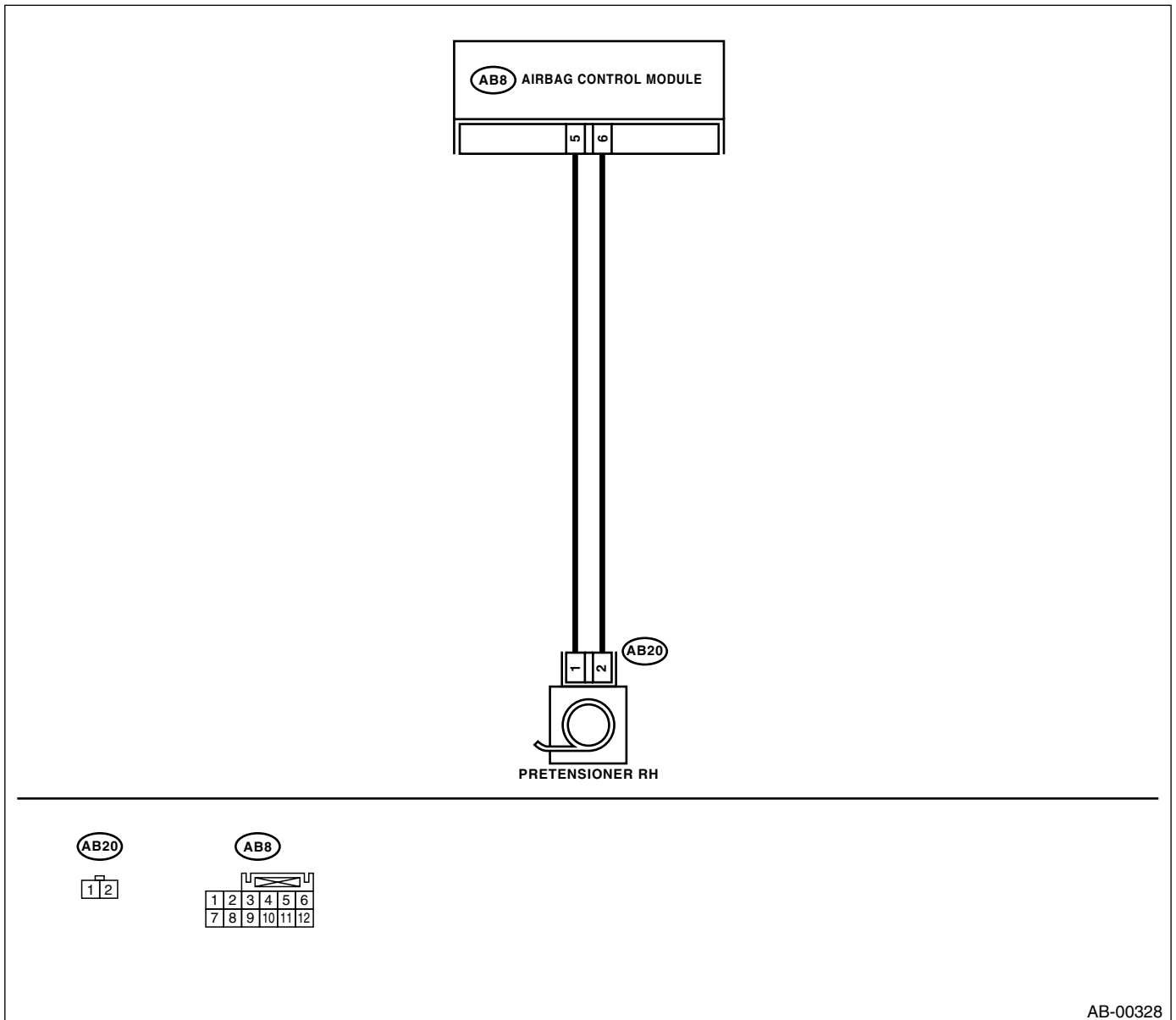
DIAGNOSIS:

- Seat belt pretensioner (RH) circuit is shorted to the power supply.
- Pretensioner is faulty.
- Airbag harness is faulty.
- Airbag control module is faulty.

CAUTION:

- Before diagnosing the airbag system, be sure to turn the ignition switch to OFF, disconnect the ground cable from battery, and wait more than 20 seconds before starting to work.
- When inspecting the side airbag harness, disconnect the side airbag module connector and seat belt pretensioner connector for the safety reasons.

WIRING DIAGRAM:



DIAGNOSTIC CHART WITH TROUBLE CODE

AIRBAG SYSTEM (DIAGNOSTICS)

Step	Value	Yes	No
<p>1</p> <p>CHECK SEAT BELT PRETENSIONER.</p> <p>1) Turn the ignition switch to OFF, disconnect the battery ground cable, and wait more than 20 seconds.</p> <p>2) Disconnect the connector (AB20) from the seat belt pretensioner (RH). <Ref. to SB-7, Front Seat Belt.></p> <p>3) Connect the connector (1F) in test harness F to (AB20).</p> <p>4) Connect the airbag resistor to connector (3F) in test harness F.</p> <p>5) Connect the battery ground cable, and turn the ignition switch to ON.</p> <p>Is the airbag warning light turned off after it was illuminating approx. 6 seconds?</p>	<p>Airbag warning light is turned off after illuminating approx. 6 seconds.</p>	<p>Replace the seat belt pretensioner (RH). <Ref. to SB-7, Front Seat Belt.></p>	<p>Go to step 2.</p>
<p>2</p> <p>CHECK SIDE AIRBAG HARNESS (RH).</p> <p>1) Turn the ignition switch to OFF, disconnect the battery ground cable, and wait more than 20 seconds.</p> <p>2) Disconnect the airbag resistor from the test harness.</p> <p>3) Disconnect the connector (AB11) from side airbag module (RH).</p> <p>4) Disconnect the connectors (AB7) and (AB8) from the airbag control module. <Ref. to AB-18, Airbag Control Module.></p> <p>5) Connect the connector (1R) in test harness R to the connector (AB8).</p> <p>6) Connect the battery ground cable and turn the ignition switch to ON.</p> <p>7) Measure the voltage between connector (3R) in test harness R and the chassis ground.</p> <p>Connector & terminal</p> <p>(3R) No. 17 (+) — Chassis ground (-):</p> <p>(3R) No. 19 (+) — Chassis ground (-):</p> <p>Is the measured value less than specified value?</p>	<p>1 V</p>	<p>Replace the airbag control module. <Ref. to AB-18, Airbag Control Module.></p>	<p>Replace the side airbag harness with body harness.</p>

DIAGNOSTIC CHART WITH TROUBLE CODE

AIRBAG SYSTEM (DIAGNOSTICS)

X: DTC 66

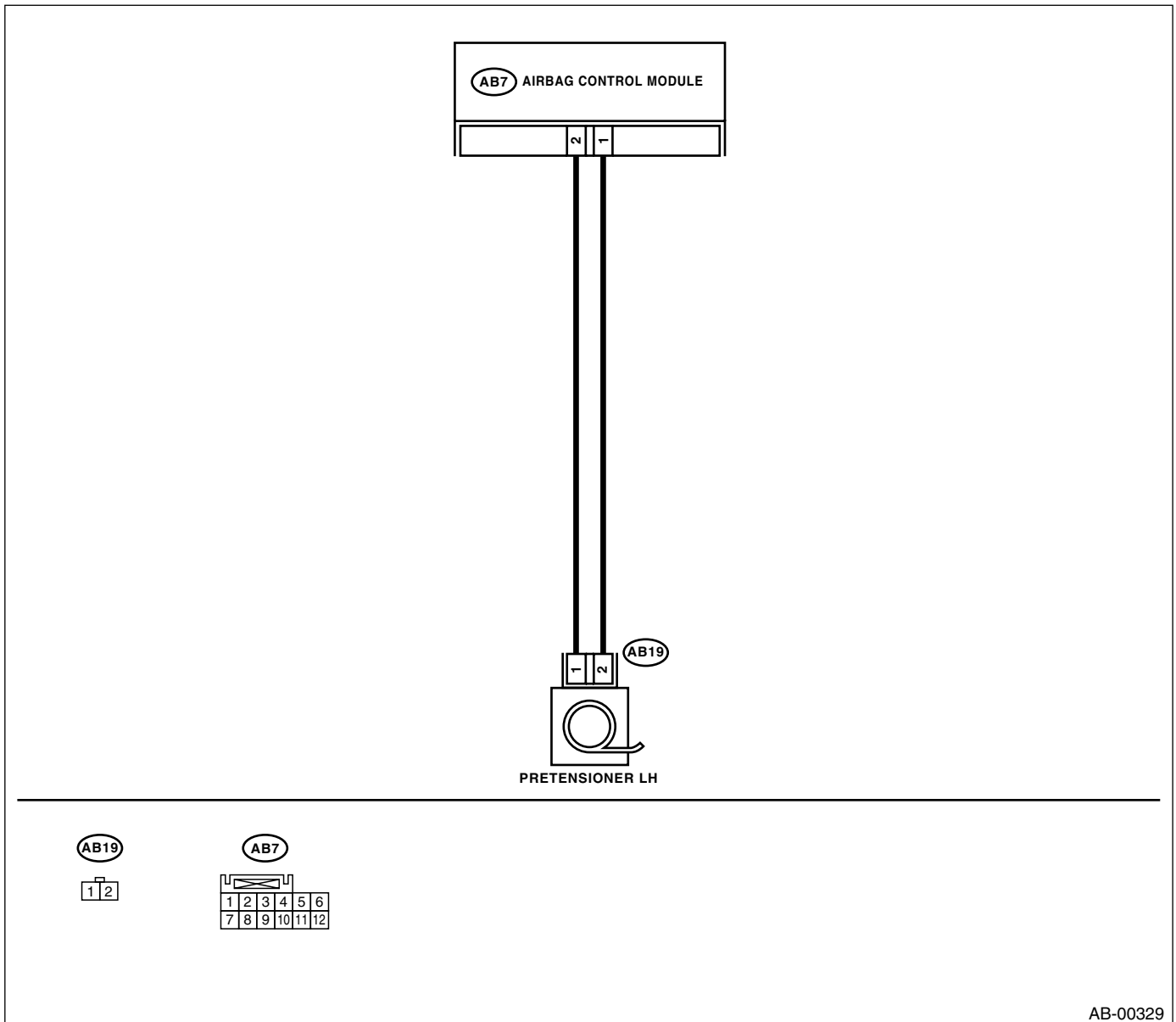
DIAGNOSIS:

- Seat belt pretensioner (LH) circuit is shorted to the power supply.
- Pretensioner is faulty.
- Airbag harness is faulty.
- Airbag control module is faulty.

CAUTION:

- Before diagnosing the airbag system, be sure to turn the ignition switch to OFF, disconnect the ground cable from battery, and wait more than 20 seconds before starting to work.
- When inspecting the side airbag harness, disconnect the side airbag module connector and seat belt pretensioner connector for the safety reasons.

WIRING DIAGRAM:



DIAGNOSTIC CHART WITH TROUBLE CODE

AIRBAG SYSTEM (DIAGNOSTICS)

Step	Value	Yes	No
<p>1 CHECK SEAT BELT PRETENSIONER. 1) Turn the ignition switch to OFF, disconnect the battery ground cable, and wait more than 20 seconds. 2) Disconnect the connector (AB19) from the seat belt pretensioner (LH). <Ref. to SB-7, Front Seat Belt.> 3) Connect the connector (1F) in test harness F to (AB19). 4) Connect the airbag resistor to the connector (3F) in test harness F. 5) Connect the battery ground cable and turn the ignition switch to ON. Is the airbag warning light turned off after it was illuminating approx. 6 seconds?</p>	<p>Airbag warning light is turned off after illuminating approx. 6 seconds.</p>	<p>Replace the seat belt pretensioner (LH). <Ref. to SB-7, Front Seat Belt.></p>	<p>Go to step 2.</p>
<p>2 CHECK SIDE AIRBAG HARNESS (LH). 1) Turn the ignition switch to OFF, disconnect the battery ground cable, and wait more than 20 seconds. 2) Disconnect the airbag resistor from the test harness. 3) Disconnect the connector (AB9) from side airbag module (LH). 4) Disconnect the connectors (AB7) and (AB8) from the airbag control module. <Ref. to AB-18, Airbag Control Module.> 5) Connect the connector (1R) in test harness R to the connector (AB7). 6) Connect the battery ground cable and turn the ignition switch to ON. 7) Measure the voltage between connector (3R) in test harness R and the chassis ground. Connector & terminal (3R) No. 11 (+) — Chassis ground (-): (3R) No. 13 (+) — Chassis ground (-): Is the measured value less than specified value?</p>	<p>1 V</p>	<p>Replace the airbag control module. <Ref. to AB-18, Airbag Control Module.></p>	<p>Replace the side airbag harness with body harness.</p>

DIAGNOSTIC CHART WITH TROUBLE CODE

AIRBAG SYSTEM (DIAGNOSTICS)

Y: DTC 72

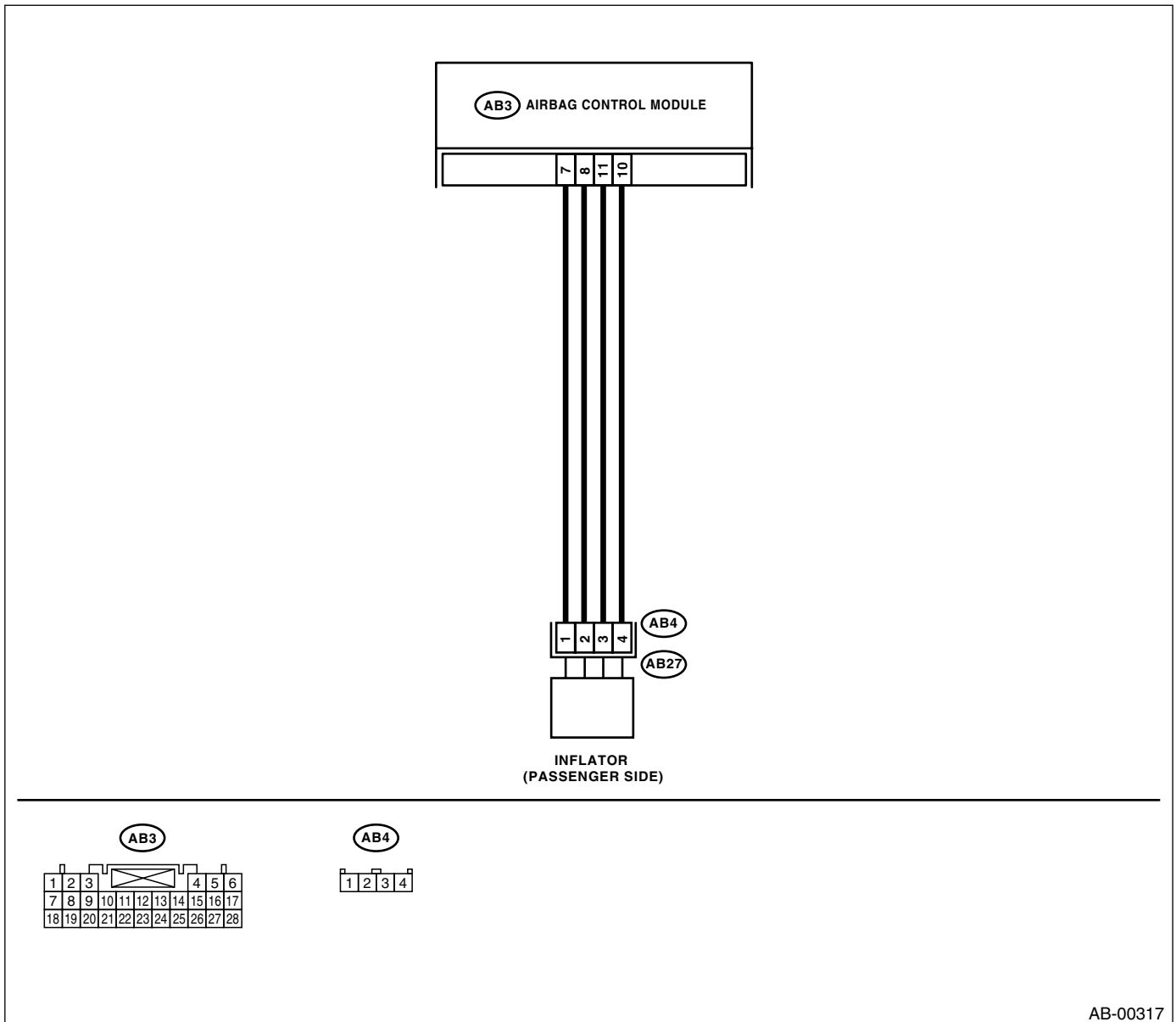
DIAGNOSIS:

- Airbag harness is open, shorted or shorted to ground.
- Airbag module harness (Passenger) circuit is open, shorted or shorted to ground.
- Passenger's airbag module is faulty.
- Airbag control module is faulty.

CAUTION:

- Before diagnosing the airbag system, be sure to turn the ignition switch OFF, disconnect the ground cable from the battery, and wait more than 20 seconds before starting to work.
- When inspecting the airbag main harness, disconnect the driver's airbag module and passenger's airbag module connectors for safety reasons.

WIRING DIAGRAM:



AB-00317

DIAGNOSTIC CHART WITH TROUBLE CODE

AIRBAG SYSTEM (DIAGNOSTICS)

Step	Value	Yes	No
<p>1</p> <p>CHECK PASSENGER'S AIRBAG MODULE. 1) Turn the ignition switch OFF, disconnect the battery ground cable, and wait more than 20 seconds. 2) Remove the glove box. 3) Disconnect the connector passenger's airbag module from (AB4). 4) Connect the connector (1P) in test harness K to connector (AB4). 5) Connect two airbag resistors to connectors (2P) and (3P) in test harness P. 6) Connect the battery ground cable and turn the ignition switch ON. Is the airbag warning light turned off after it was illuminating approx. 6 seconds?</p>	<p>Airbag warning light is turned off after illuminating approx. 6 seconds.</p>	<p>Replace the passenger's airbag module. <Ref. to AB-16, Passenger's Airbag Module.></p>	<p>Go to step 2.</p>
<p>2</p> <p>CHECK AIRBAG MAIN HARNESS. 1) Turn the ignition switch OFF, disconnect the battery ground cable, and wait more than 20 seconds. 2) Disconnect two airbag resistors from the connectors (2P) and (3P) in test harness P. 3) Remove the lower cover and disconnect the connector (AB2) from (AB30). 4) Disconnect the connector (AB3) from the airbag control module, and connect the connector (1R) in test harness R. 5) Measure the resistance between connector (2R) in test harness R and the connector (2P) in test harness P. <i>Connector & terminal</i> <i>(2R) No. 9 — (3P) No. 3:</i> <i>(2R) No. 13 — (3P) No. 4:</i> Is the measured value less than specified value?</p>	<p>10 Ω</p>	<p>Go to step 3.</p>	<p>Replace the airbag main harness together with body harness as a unit.</p>
<p>3</p> <p>CHECK AIRBAG MAIN HARNESS. Measure the resistance of the connector (2R) in test harness R. <i>Connector & terminal</i> <i>(2R) No. 9 — No. 13:</i> <i>(2R) No. 9 — Chassis ground:</i> <i>(2R) No. 13 — Chassis ground:</i> Is the measured value more than specified value?</p>	<p>1 MΩ</p>	<p>Replace the airbag control module. <Ref. to AB-18, Airbag Control Module.></p>	<p>Replace the airbag main harness together with body harness as a unit.</p>

DIAGNOSTIC CHART WITH TROUBLE CODE

AIRBAG SYSTEM (DIAGNOSTICS)

Z: DTC 76

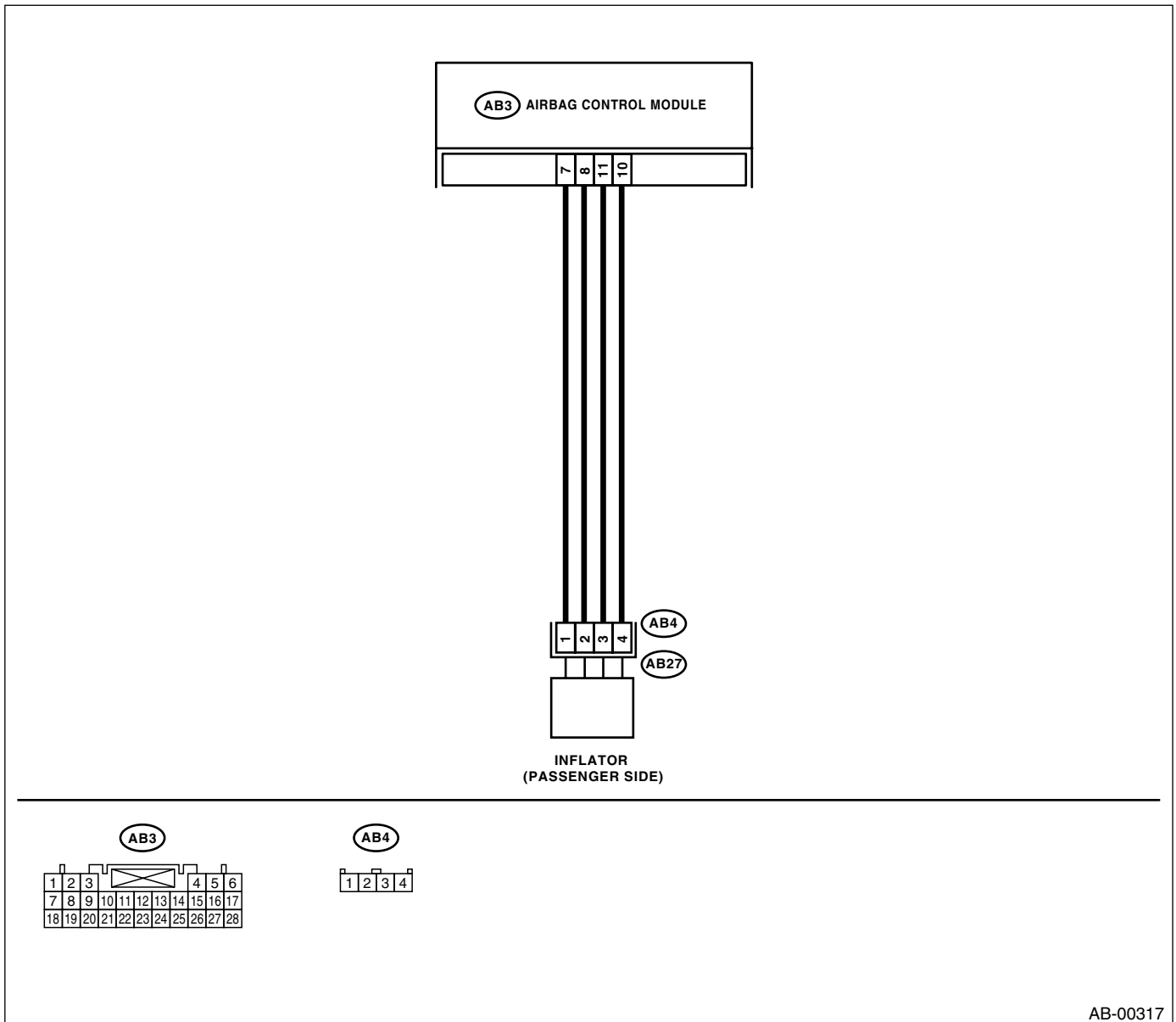
DIAGNOSIS:

- Airbag main harness (Passenger) circuit is shorted to the power supply.
- Airbag module harness (Passenger) is shorted to the power supply.
- Passenger's airbag module is faulty.
- Airbag control module is faulty.

CAUTION:

- Before diagnosing the airbag system, be sure to turn the ignition switch OFF, disconnect the ground cable from the battery, and wait more than 20 seconds before starting to work.
- When inspecting the airbag main harness, disconnect the driver's airbag module and passenger's airbag module connectors for safety reasons.

WIRING DIAGRAM:



AB-00317

DIAGNOSTIC CHART WITH TROUBLE CODE

AIRBAG SYSTEM (DIAGNOSTICS)

Step	Value	Yes	No
<p>1</p> <p>CHECK PASSENGER'S AIRBAG MODULE.</p> <p>1) Turn the ignition switch OFF, disconnect the battery ground cable, and wait more than 20 seconds.</p> <p>2) Remove the glove box.</p> <p>3) Disconnect the connector (AB4) from passenger's airbag module.</p> <p>4) Connect the connector (1P) in test harness D to connector (AB4).</p> <p>5) Connect two airbag resistors to connectors (2P) and (3P) in test harness P.</p> <p>6) Connect the battery ground cable and turn the ignition switch ON.</p> <p>Is the airbag warning light turned off after it was illuminating approx. 6 seconds?</p>	<p>Airbag warning light is turned off after illuminating approx. 6 seconds.</p>	<p>Replace the passenger's airbag module. <Ref. to AB-16, Passenger's Airbag Module.></p>	<p>Go to step 2.</p>
<p>2</p> <p>CHECK AIRBAG MAIN HARNESS.</p> <p>1) Turn the ignition switch OFF, disconnect the battery ground cable, and wait more than 20 seconds.</p> <p>2) Disconnect two airbag resistors from the connectors (2P) and (3P) in test harness P.</p> <p>3) Remove the lower cover and disconnect the connector (AB2) from (AB30).</p> <p>4) Disconnect the connector (AB3) from the airbag control module, and connect the connector (1R) in test harness R.</p> <p>5) Measure the voltage between connector (2R) in test harness R and the chassis ground.</p> <p>Connector & terminal</p> <p>(2R) No. 9 (+) — Chassis ground (-):</p> <p>(2R) No. 13 (+) — Chassis ground (-):</p> <p>Is the measured value less than specified value?</p>	<p>1 V</p>	<p>Replace the airbag control module. <Ref. to AB-18, Airbag Control Module.></p>	<p>Replace the airbag main harness together with body harness as a unit.</p>

DIAGNOSTIC CHART WITH TROUBLE CODE

AIRBAG SYSTEM (DIAGNOSTICS)

AA:DTC 81

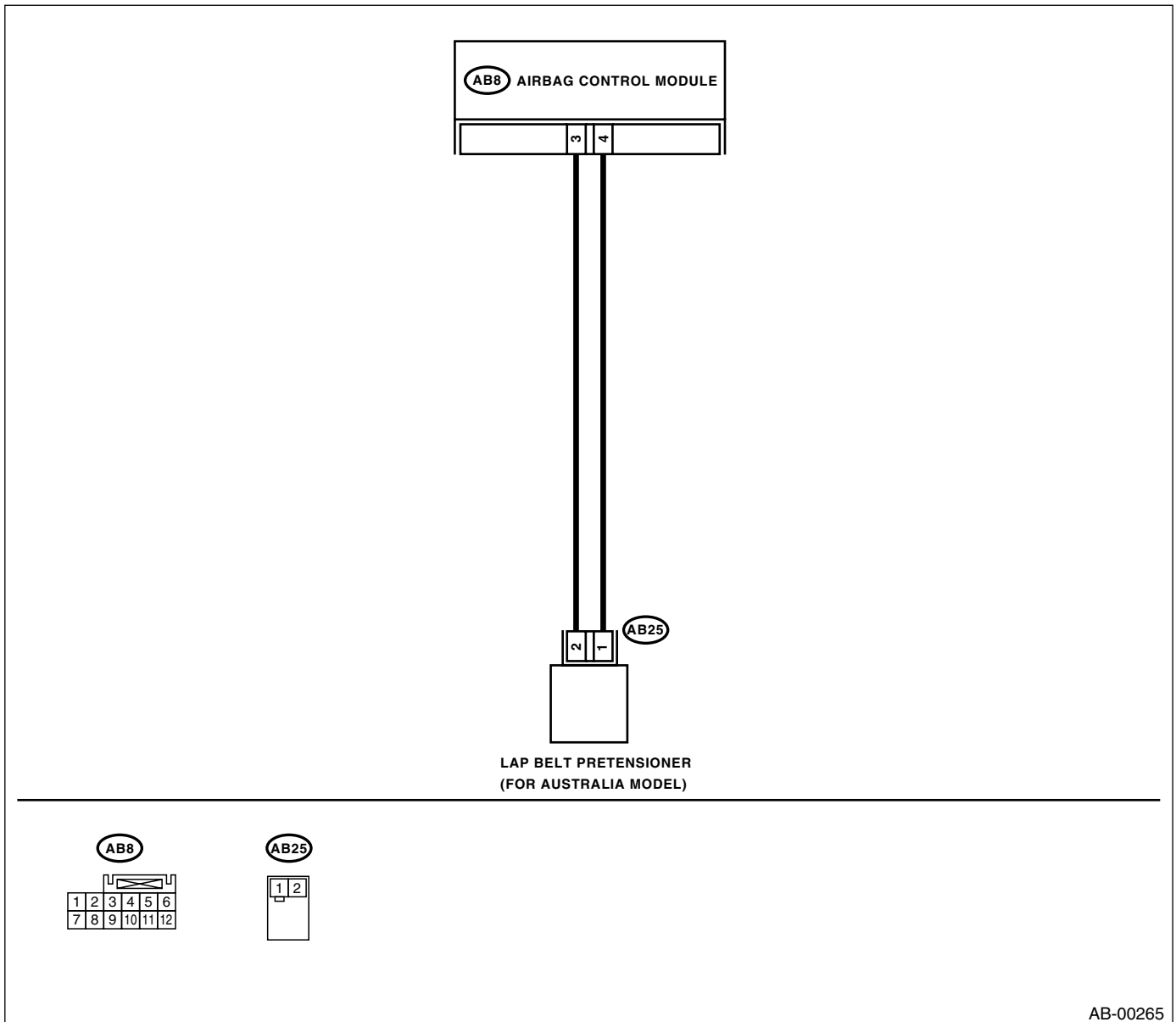
DIAGNOSIS:

- Lap seat belt pretensioner (RH) circuit is open, shorted or shorted to ground.
- Lap pretensioner is faulty.
- Airbag harness is faulty.
- Airbag control module is faulty.

CAUTION:

- Before diagnosing the airbag system, be sure to turn the ignition switch to OFF, disconnect the ground cable from battery, and wait more than 20 seconds before starting to work.
- When inspecting the side airbag harness, disconnect the side airbag module connector and seat belt pretensioner connector for the safety reasons.

WIRING DIAGRAM:



AB-00265

DIAGNOSTIC CHART WITH TROUBLE CODE

AIRBAG SYSTEM (DIAGNOSTICS)

Step	Value	Yes	No
<p>1 CHECK LAP SEAT BELT PRETENSIONER. 1) Turn the ignition switch to OFF, disconnect the battery ground cable, and wait more than 20 seconds. 2) Disconnect the connector (AB25) from the lap seat belt pretensioner (RH). 3) Connect the connector (1Q) in test harness Q to (AB25). 4) Connect the airbag resistor to connector (2Q) in test harness Q. 5) Connect the battery ground cable, and turn the ignition switch to ON. Is the airbag warning light turned off after it was illuminating approx. 6 seconds?</p>	<p>Airbag warning light is turned off after illuminating approx. 6 seconds.</p>	<p>Replace the lap seat belt pretensioner (RH). <Ref. to SB-7, FRONT OUTER SEAT BELT WITH LAP PRETENSIONER, REMOVAL, Front Seat Belt.></p>	<p>Go to step 2.</p>
<p>2 CHECK SIDE AIRBAG HARNESS (RH). 1) Turn the ignition switch to OFF, disconnect the battery ground cable, and wait more than 20 seconds. 2) Disconnect the airbag resistor from the test harness. 3) Disconnect the connector (AB11) from side airbag module (RH). 4) Disconnect the connectors (AB20) from seat belt pretensioner. 5) Disconnect the connector (AB8) from airbag control module. 6) Connect the connector (1R) in test harness R to the connector (AB8). 7) Measure the resistance between connector (3R) in test harness R and connector (2Q) in test harness Q. <i>Connector & terminal</i> <i>(3R) No. 2 — (2Q) No. 4:</i> <i>(3R) No. 4 — (2Q) No. 3:</i> Is the measured value less than specified value?</p>	<p>10 Ω</p>	<p>Go to step 3.</p>	<p>Replace the side airbag harness with body harness.</p>
<p>3 CHECK SIDE AIRBAG HARNESS. Measure the resistance between the connector (3R) in test harness R and the chassis ground. <i>Connector & terminal</i> <i>(3R) No. 2 — (3R) No. 4:</i> <i>(3R) No. 2 — Chassis ground:</i> <i>(3R) No. 4 — Chassis ground:</i> Is the measured value more than specified value?</p>	<p>1 MΩ</p>	<p>Replace the airbag control module. <Ref. to AB-18, Airbag Control Module.></p>	<p>Replace the side airbag harness with body harness.</p>

DIAGNOSTIC CHART WITH TROUBLE CODE

AIRBAG SYSTEM (DIAGNOSTICS)

AB:DTC 85

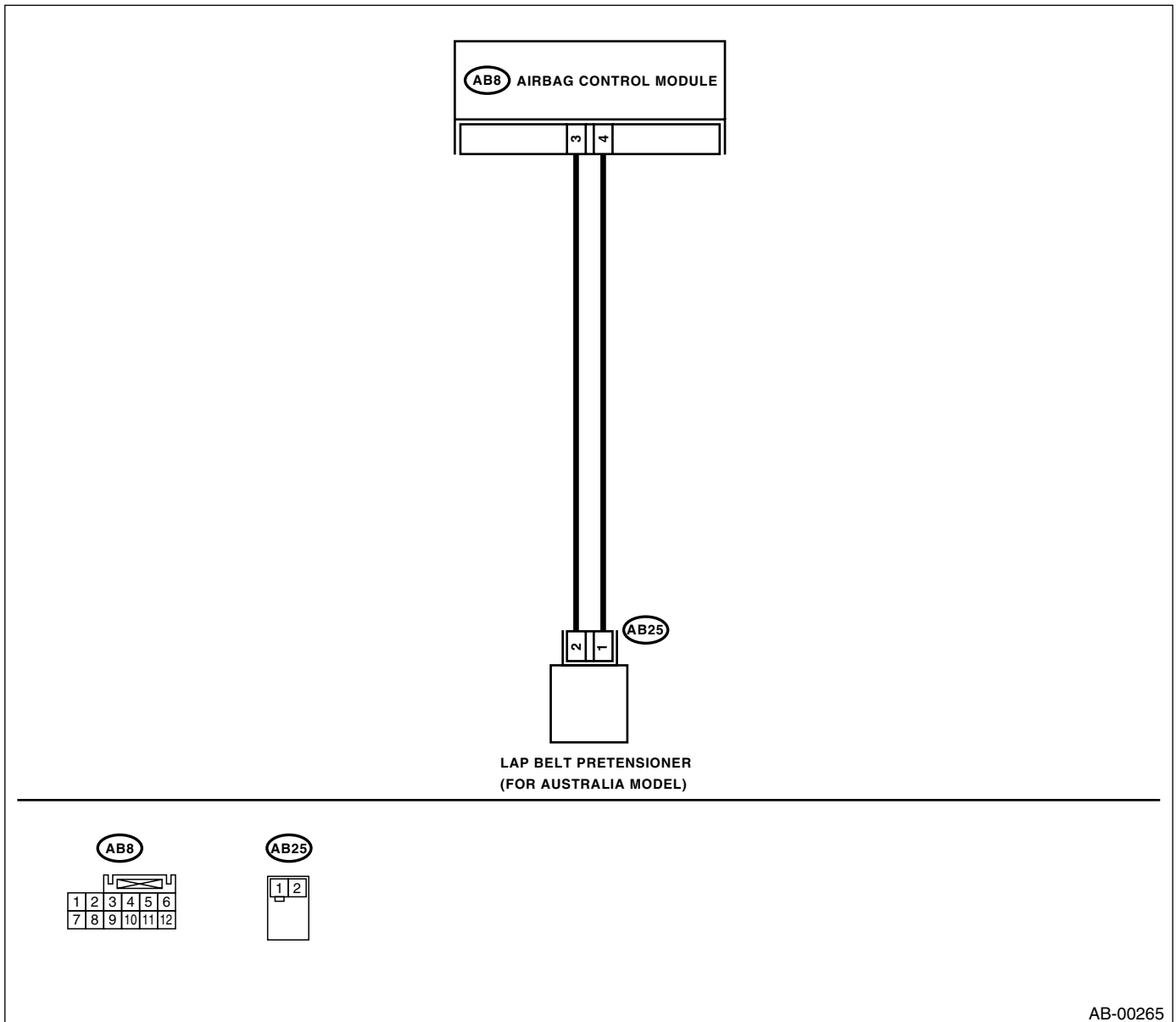
DIAGNOSIS:

- Lap seat belt pretensioner (RH) circuit is shorted to the power supply.
- Lap retensioner is faulty.
- Pretensioner harness is faulty.
- Airbag control module is faulty.

CAUTION:

- Before diagnosing the airbag system, be sure to turn the ignition switch to OFF, disconnect the ground cable from battery, and wait more than 20 seconds before starting to work.
- When inspecting the side airbag harness, disconnect the side airbag module connector and seat belt pretensioner connector for the safety reasons.

WIRING DIAGRAM:



DIAGNOSTIC CHART WITH TROUBLE CODE

AIRBAG SYSTEM (DIAGNOSTICS)

Step	Value	Yes	No
<p>1</p> <p>CHECK LAP SEAT BELT PRETENSIONER. 1) Turn the ignition switch to OFF, disconnect the battery ground cable, and wait more than 20 seconds. 2) Disconnect the connector (AB25) from the lap seat belt pretensioner (RH). 3) Connect the connector (1Q) in test harness Q to (AB25). 4) Connect the airbag resistor to the connector (2Q) in test harness Q. 5) Connect the battery ground cable and turn the ignition switch to ON. Check the airbag warning light is turned off after it was illuminating approx. 6 seconds.</p>	<p>Airbag warning light is turned off after illuminating approx. 6 seconds.</p>	<p>Replace the lap seat belt pretensioner (RH). <Ref. to SB-7, FRONT OUTER SEAT BELT WITH LAP PRETENSIONER, REMOVAL, Front Seat Belt.></p>	<p>Go to step 2.</p>
<p>2</p> <p>CHECK SIDE AIRBAG HARNESS (RH). 1) Turn the ignition switch to OFF, disconnect the battery ground cable, and wait more than 20 seconds. 2) Disconnect the airbag resistor from the test harness. 3) Disconnect the connector (AB11) from side airbag module (RH). 4) Disconnect the connector (AB20) from seat belt pretensioner. 5) Disconnect the connectors (AB7) and (AB8) from the airbag control module. 6) Connect the connector (1R) in test harness R to the connector (AB7). 7) Connect the battery ground cable and turn the ignition switch to ON. 8) Measure the voltage between connector (3R) in test harness R and the chassis ground. Connector & terminal (3R) No. 2 (+) — Chassis ground (-): (3R) No. 4 (+) — Chassis ground (-): Is the measured value less than specified value?</p>	<p>1 V</p>	<p>Replace the airbag control module. <Ref. to AB-18, Airbag Control Module.></p>	<p>Replace the side airbag harness with body harness.</p>

DIAGNOSTIC CHART WITH TROUBLE CODE

AIRBAG SYSTEM (DIAGNOSTICS)
