

Identification

IDENTIFICATION

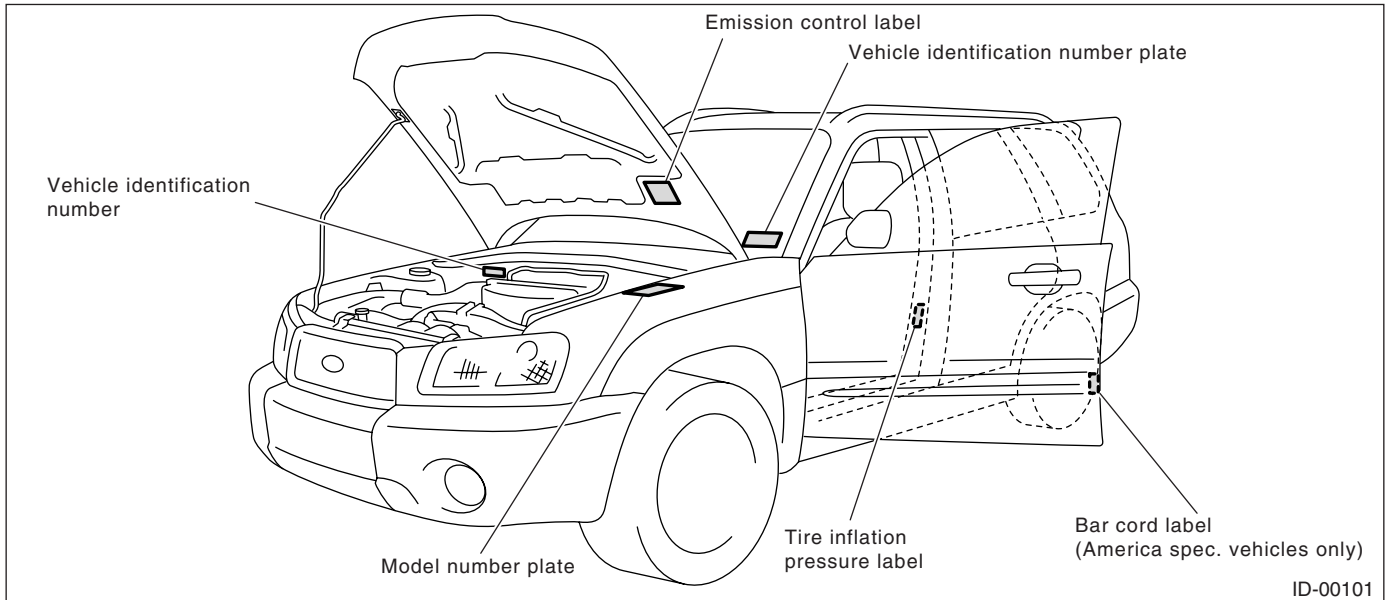
1. Identification

A: IDENTIFICATION

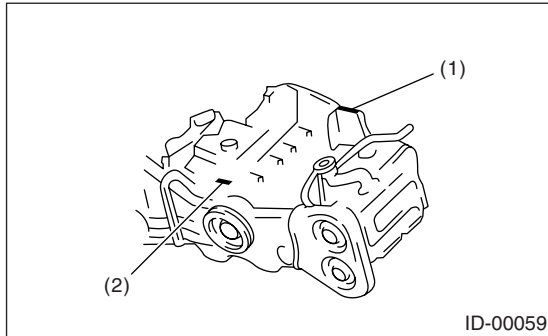
1. IDENTIFICATION NUMBER & LABEL LOCATIONS

The V.I.N. (Vehicle Identification Numbers) is used to classify the vehicle.

- Positioning of the plate label for identification

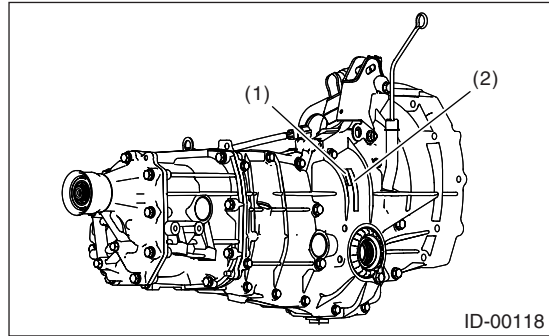


• ENGINE



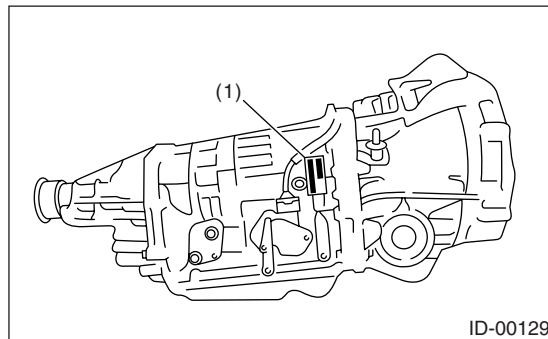
- (1) Engine serial number (Punch mark)
- (2) Engine type (Crankcase upper side)

• MANUAL TRANSMISSION



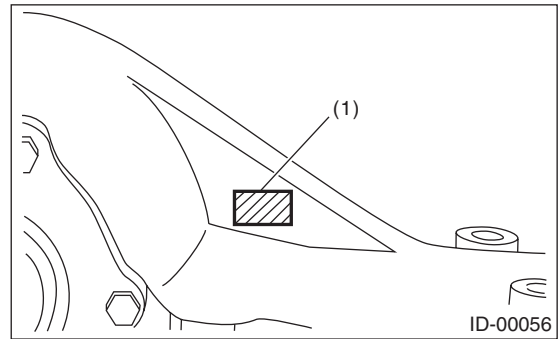
- (1) Transmission serial No.
- (2) MT type label

• AUTOMATIC TRANSMISSION



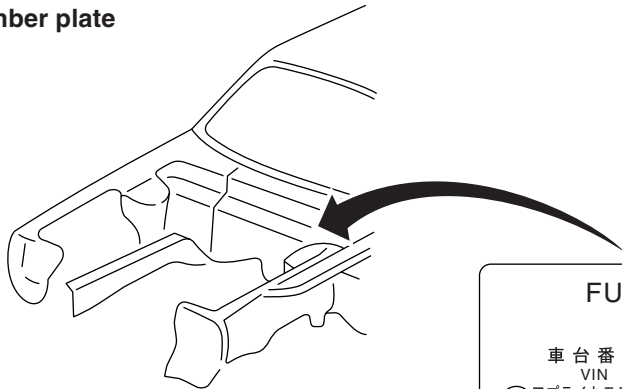
- (1) AT type and transmission serial number label

• REAR DIFFERENTIAL



- (1) Type (white paint)

Model number plate



FUJI HEAVY INDUSTRIES LTD.

型 式

車台番号 **JF1SG636X6G700001**

VIN

○ アプライトモデル **SG9DY4J** オプションコード **U4PK** ○
applied model option code

トリムコード **410** エンジン型式 **EJ253BSRHB**
trim code engine type

外装飾コード **230** ミッション型式 **TY755VC7AA**
Color code transmission type

ID-00130

2. MEANING OF V.I.N.

The meaning of the V.I.N. is as follows:

JF1SG636X6G700001

The large parentheses ([]) located in front and back are stop marks.

Digits	Code	Meaning	Details
1~3	JF1	Manufacturer body area	JF1: Passenger car, FHI made
4	S	Car line	S: Forester
5	G	Body classification	G: Wagon
6	6	Total displacement classification	6: 2.5 L AWD
7	3	Grade	3: 2.5 X 5: 2.5 XS 7: L. L. Bean 9: 2.5 XT
8	6	Restraint	6: Manual belt, Dual airbags, Side airbags
9	X	Check number	X or 0 — 9
10	6	Model year	6: 2006MY
11	G	Transmission type	G: Full-time AWD 5 speed MT H: Full-time AWD 4 speed AT
12~17	700001	Serial number	Vehicles 733001 or later: Changed to new type of airbag occupant detection system

Identification

IDENTIFICATION

3. MODEL NUMBER PLATE

The model number plate indicates: the applied model, the option code, the trim code, the engine type, the transmission type, and the exterior color code. This information is helpful when placing orders for parts.

SG9DY4J

Digits	Code	Meaning	Details
1	S	Series	S: Forester
2	G	Body type	G: Wagon
3	9	Engine displacement Drive system	9: 2.5 L AWD
4	D	Model year	D: 2006MY
5	Y	Destination	Y: U.S., Canada
6	4	Grade	4: 2.5 X 6: 2.5 XS 9: 2.5 XT C: L. L. Bean
7	J	Transmission, fuel feed system	D: DOHC turbo MFI 5 speed MT J: SOHC MFI 5 speed MT M: DOHC turbo MFI 4 speed AT N : SOHC MFI 4 speed AT

The engine and transmission type are as follows.

Engine

EJ253BSRHB

Digits	Code	Meaning	Details
1 and 2	EJ	Engine model No.	EJ: 4 cylinder
3 and 4	25	Total displacement classification	25: 2.5 L
5	3	Fuel supply device classification	3: MFI-NA (SOHC) 5: MFI DOHC turbo
6	B	Exhaust gas restriction classification	B: U.S. & California
7	S	Mounted transmission	P: AT S: MT
8~10	RHB	Detailed specifications	Used when ordering parts. See the parts catalog for details.

Transmission

TY755VC7AA

Digits	Code	Meaning	Details
1	T	Transmission symbol	T: TRANSMISSION
2	Y	Transmission system classification	V: Full-time AWD AT center differential (VTD) Y: Full-time AWD MT center differential Z: Full-time AWD AT MPT
3 and 4	75	Model series classification	1B: AT 75: MT
5	5	Vehicle series	5: MT, AT
6	V	Base transmission specifications	L: MP-T type full time AWD direct 4 speed AT M: MT-P type center differential, full time AWD direct 4 speed AT V: Full-time AWD 5 speed MT with viscous coupling center differential single-range
7	C	Installed body	C: 2.5 L SOHC B: 2.5 L DOHC turbo
8~10	7AA	Detailed specifications	Used when ordering parts. See the parts catalog for details.

Rear differential

T2

Code	Reduction gear ratio	LSD
T2	4.111	None
JP	4.111	Viscous
TP	4.444	None
CF	4.444	Viscous

Option code

U4QW

Digits	Code	Meaning	Details
1~2	U4	Destination	U4: U.S. CO: Canada
3~4	QW	Vehicle main options	—

Identification

IDENTIFICATION

RECOMMENDED MATERIALS

RM

	Page
1. Recommended Materials	2

