

1. Pre-delivery Inspection

A: GENERAL DESCRIPTION

The purposes of the pre-delivery inspection (PDI) are as follows.

- Remove the additional parts used for ensuring the vehicle quality during transportation and restore the vehicle to its normal condition.
- Check that the vehicle before shipment is in normal condition.
- Check that there are no scratches on the vehicle and that none of the vehicle protective parts are missing when shipping or in storage.
- Make sure to deliver a complete vehicle to customer.

For above reasons, all SOA service centers must carry out the PDIs before delivery of vehicle.

Furthermore, All SOA service centers and PDI centers must inspect the status of all vehicles and clarify the responsible party.

B: PRE-DELIVERY INSPECTION (PDI) PROCEDURE

Follow the procedures shown in the table below.

Static Checks Just After Vehicle Receipt

Step	Check point
1. Appearance check	<ol style="list-style-type: none"> 1. If the vehicle is covered with protective coating, visually check the vehicle body for damage and dents. If the protective coating has been removed, visually inspect the body paints for small areas of damage or rust. 2. Visually check the glass and light lenses for any damage, cracks or excessive gaps between body sheet metal. 3. Visually check the plated parts for any damage.
2. Tire check	<ol style="list-style-type: none"> 1. Check the tires for damage, defective, and dents on wheels. 2. Check the tire air pressure.
3. Fuse installation	If the vehicle is about to be shipped to the customer, attach a room light fuse.
4. Air conditioner harness connection	If the vehicle is about to be shipped to the customer, connect the air conditioner harness.
5. Lock/unlock and open/close operation checks of doors.	<ol style="list-style-type: none"> 1. Using the key, check the trunk lid can be locked or unlocked normally. 2. Open and close all doors to check that there are no defective.
6. Operation check of child safety lock system	Check the child safety lock system operates normally.
7. Lock/unlock and open/close operation checks of the rear doors.	<ol style="list-style-type: none"> 1. Open and close the rear gate to see that there are no abnormal conditions. 2. Check if the rear gate can be unlocked normally through the emergency hole. 3. Operate the power door lock switch to check that the rear gate is locked and unlocked normally.
8. Operation check of fuel lid opener lock release lever	Operate the fuel lid opener to check that the fuel lid is unlocked normally.
9. Accessory check	<p>Check that the following accessories are provided.</p> <ul style="list-style-type: none"> • Owner's manual • Warranty booklet • Maintenance note • Spare key • Key number plate • Jack • Tool set • Spare tire
10. Operation check of front hood lock release system	Operate the front hood lock release lever to check that the front hood opens normally.
11. Battery	Check the battery for any abnormal conditions such as rust and trace of battery fluid leaks.
12. Battery fluid	Check the fluid amount.
13. Engine oil	Check the oil amount.
14. Transmission fluid	Check the fluid amount.
15. AT front differential oil	Check the AT front differential oil amount.
16. Engine coolant	Check the engine coolant amount.
17. Clutch fluid	Check the clutch fluid amount.
18. Window washer fluid	Check the window washer fluid amount.
19. Front hood latch check	Check that the hood is closed and latched completely.
20. Keyless entry system	Check that the keyless entry system operates normally.
21. Alarm system	Check that the alarm system operates normally.
22. Seat	<ol style="list-style-type: none"> 1. Check the seat surfaces for stains or dirt. 2. Check the seat installation conditions and functionality. 3. Check that the passenger's seat occupant detection system operates normally.
23. Seat belt	<ol style="list-style-type: none"> 1. Check the seat belt installation conditions and functionality. 2. Check the seat belt warning functionality for normal operations.
24. Wheel alignment	Check that the wheel alignments are properly adjusted.

Pre-delivery Inspection

PRE-DELIVERY INSPECTION

Checks with the Engine Running

Step	Check point
25. Test mode connector	Test mode connector
26. Starting condition	Start the engine and check that the engine starts smoothly.
27. Exhaust system	Check that the exhaust noise is normal and no leaks are found.
28. Indicator and warning lights	Check that all indicator lights and warning lights operate normally.
29. Clock	Check that the clock operates normally.
30. Radio	Check that the radio system operates normally.
31. Accessory power socket	Check that the accessory power socket operates normally.
32. Lighting system	Check that the lighting system operates normally.
33. Window washer	Check that the window washer system operates normally.
34. Wiper	Check that the wiper system operates normally.
35. Power window operation check	Check the power window for normal operations.

Dynamic Test with the Vehicle Running

Step	Check point
36. Brake test	Check the foot brake for normal operations.
37. Parking brake	Check the parking brake for normal operations.
38. AT shift control	Check that the AT shifts normally.
39. Heater & ventilation	Check that the heater & ventilation system operates normally.
40. Air conditioner	Check that the air conditioner operates normally.
41. Cruise control	Check that the cruise control system operates normally.

Checks after Dynamic Test

Step	Check point
42. ATF level	Check that the ATF level is correct.
43. Power steering fluid level	Check that the power steering fluid level is normal.
44. Fluid leak check	Check for fluid/oil leaks.
45. Water leak check	Spray the vehicle with water and check for water leaks.
46. Appearance check 2	<ol style="list-style-type: none">1. Remove the protective coating (if any).2. Check the body paints for damage and stain.3. Check the plated parts for damage and rust.

1. APPEARANCE CHECK

- 1) If the vehicle is covered with protective coating, visually check the vehicle body for damage and dents.
- 2) When there is no protective coating, check the body paints for damage or stains in detail and repair as necessary.
- 3) Check the window glass, door glass, and lights for any cracks or damage and replace the parts as necessary.
- 4) Check the plated parts, such as the grilles and door knobs, for damage or loss of gloss and replace the parts as necessary.

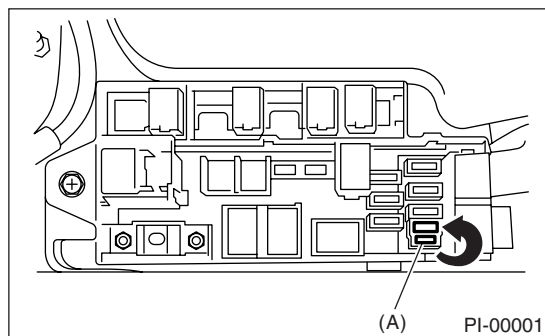
2. TIRE CHECK

- Check the outer side surface of the tire damage.
- Check the tire air pressure by referring to the following table.

Tire size	Tire inflation pressure kPa (kg/cm ² , psi)	
	Front	Rear
P215/60R16	200 (2.0, 29)	190 (1.9, 28)
P215/55R17	220 (2.2, 32)	210 (2.1, 30)

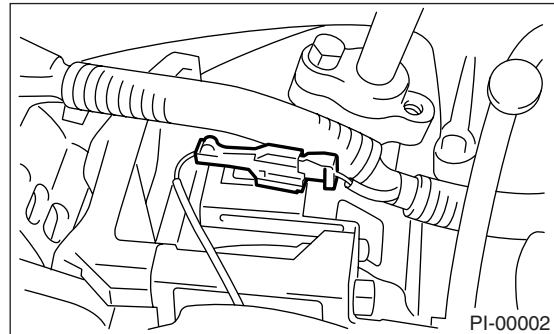
3. FUSE INSTALLATION

A vehicle just delivered has no fuse for the room light circuit to prevent battery discharge. Attach a 15 A fuse (A) as shown in the figure.



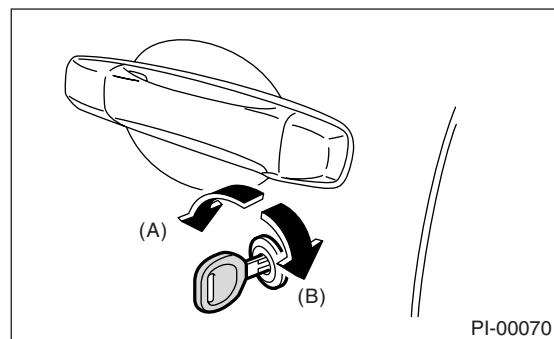
4. CONNECTION OF AIR CONDITIONER HARNESS

A vehicle just delivered has its air conditioner harness disconnected to protect the air conditioner compressor. Connect the harness as shown in the figure.



5. CHECK THE DOORS FOR LOCK/UNLOCK AND OPEN/CLOSE OPERATIONS

1) Using the key, lock and unlock the door several times to check for normal operation. Open and close the door several times for smooth movement.



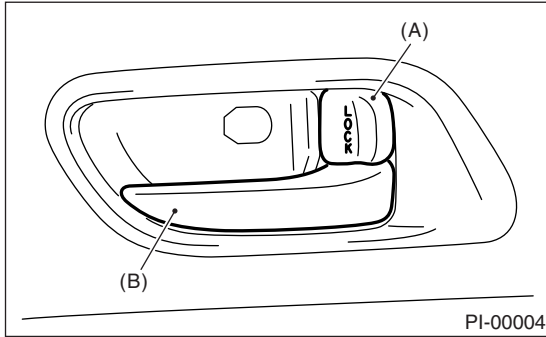
- (A) Unlock
- (B) Lock

Pre-delivery Inspection

PRE-DELIVERY INSPECTION

2) Close the door of driver seat completely, and place the door lock knob (A) to the lock position. Then pull the inner remote (B) to ensure that doors will not open.

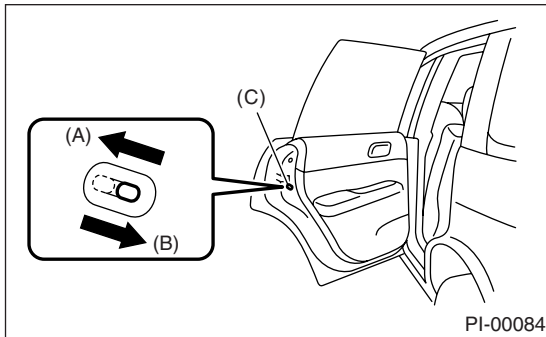
For other doors, place the door lock knob (A) to lock position and then pull the inner remote (B) to ensure that doors will not open.



- (A) Door lock knob
- (B) Inner remote

6. CHECK THE OPERATION OF CHILD SAFETY LOCKS

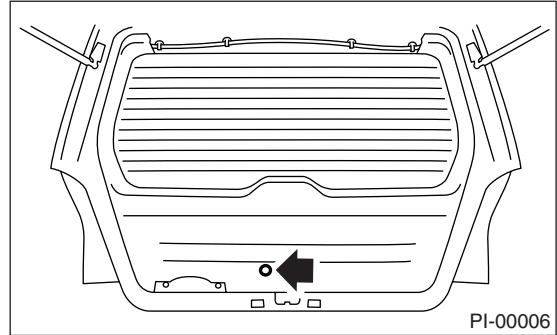
- 1) Set the child safety lock on both rear doors to the lock position.
- 2) Close the rear doors completely.
- 3) Check that the lock levers of the rear doors are in the unlock position. Then, pull inner remote of rear doors to ensure that doors will not open.
- 4) Pull the outer handles of the rear doors to ensure that doors will open.



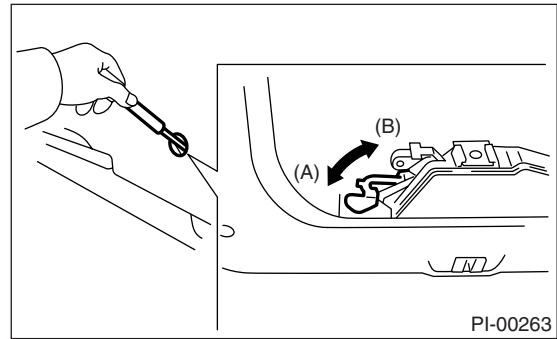
- (A) Unlock
- (B) Lock
- (C) Child safety lock

7. CHECK THE REAR GATE FOR LOCK/ UNLOCK AND OPEN/CLOSE OPERATIONS

- 1) Open and close the rear gate several times for smooth movement.
- 2) Operate the rear gate emergency lever to check that the rear gate is locked and unlocked normally.
 - (1) Remove the cover inside the rear gate.



- (2) Operate the driver to check that the rear gate is locked and unlocked normally.



- (A) Lock
- (B) Unlock

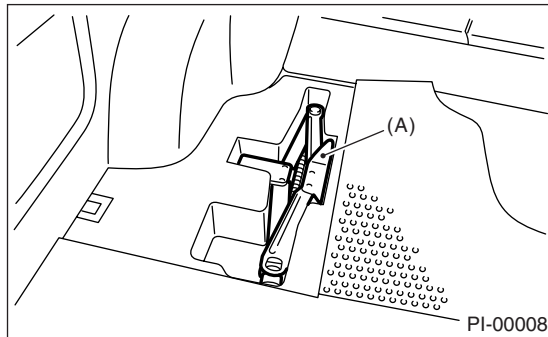
8. OPERATION CHECK OF FUEL LID OPENER LOCK RELEASE LEVER

Operate the fuel lid opener to check that the fuel lid opens normally. Check that the filler cap is securely closed.

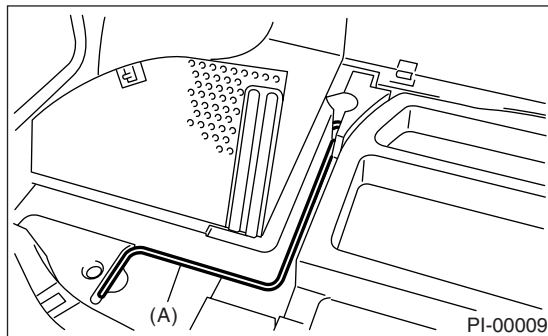
9. ACCESSORY CHECK

Check that the following accessories are provided.

- Owner's manual
- Warranty booklet
- Maintenance note
- Spare key
- Key number plate
- Jack
- Tool set
- Spare tire



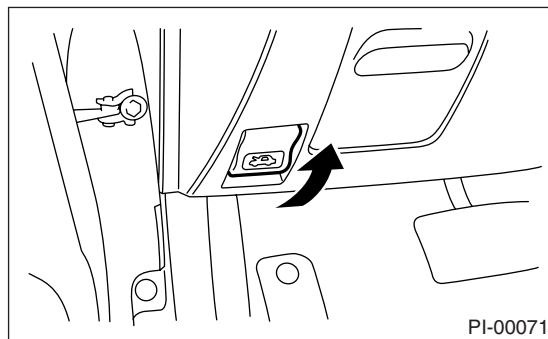
(A) Jack



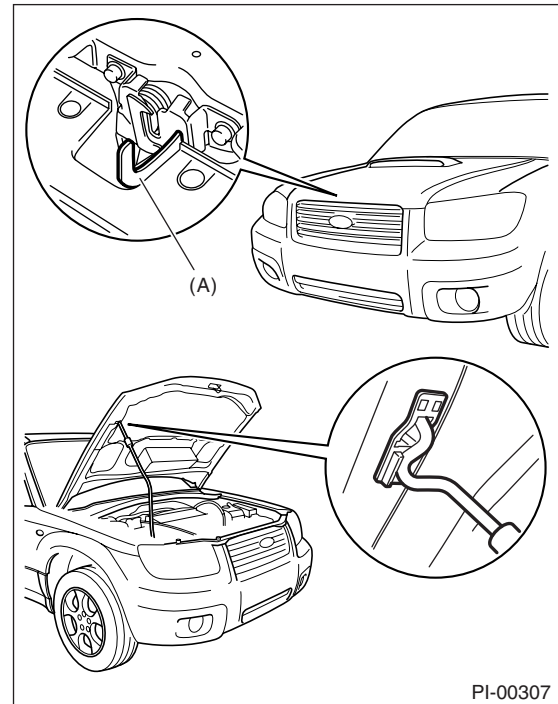
(A) Jack handle

10. OPERATION CHECK OF FRONT HOOD LOCK RELEASE SYSTEM

Operate the front hood release knob to check that the front hood is locked normally.

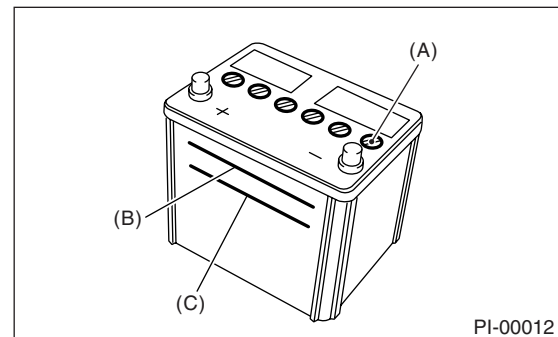


Operate the lever (A) and check that the front hood is opened normally. Support the front hood with hood stay.



11. BATTERY

Check the battery terminals to make sure that no rust or corruptions due to fluid leaks are found. Check that the battery caps are securely tightened.



- (A) Cap
- (B) Upper level
- (C) Lower level

12. BRAKE FLUID

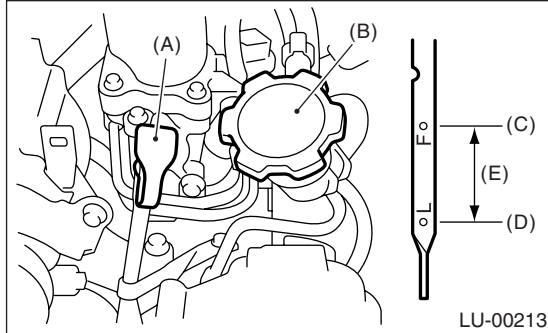
Check the brake fluid amount. If the amount is insufficient, carry out a brake line test to identify brake fluid leaks and check the brake operation. After that, refill the brake fluid tank with the specified type of fluid.

Pre-delivery Inspection

PRE-DELIVERY INSPECTION

13.ENGINE OIL

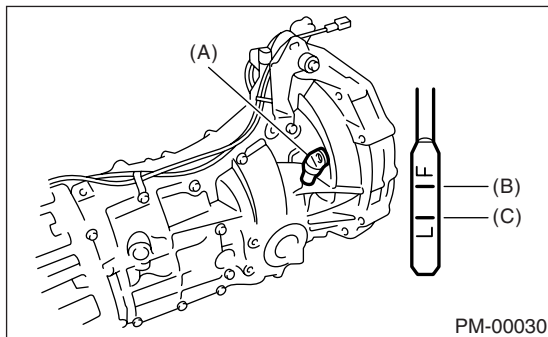
Check the engine oil amount. If the amount of oil is insufficient, check that no leaks are found. Then, add the necessary amount of the specified engine oil.



- (A) Engine oil level gauge
- (B) Engine oil filler cap
- (C) Upper level
- (D) Lower level
- (E) Approx. 1 ℓ (1.1 US qt, 0.9 Imp qt)

14.TRANSMISSION FLUID

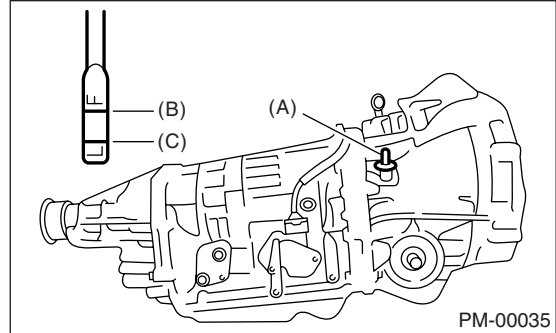
Check the transmission fluid amount. If the amount of fluid is inappropriate, check that no leaks are found. Then, add the necessary amount of specified fluid.



- (A) Oil level gauge
- (B) Upper level
- (C) Lower level

15.AT FRONT DIFFERENTIAL OIL

Check the AT front differential oil amount. If the amount of oil is inappropriate, check that no leaks are found. Then, add the necessary amount of the specified AT front differential oil.



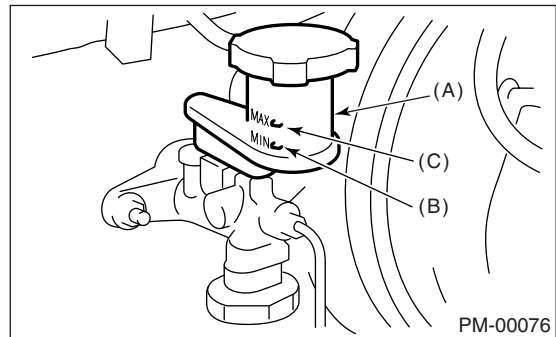
- (A) Oil level gauge
- (B) Upper level
- (C) Lower level

16.ENGINE COOLANT

Check the coolant amount on the reservoir. If the amount of engine coolant is insufficient, check that no leaks are found. Then, add the necessary amount of coolant with the specified concentration.

17.CLUTCH FLUID

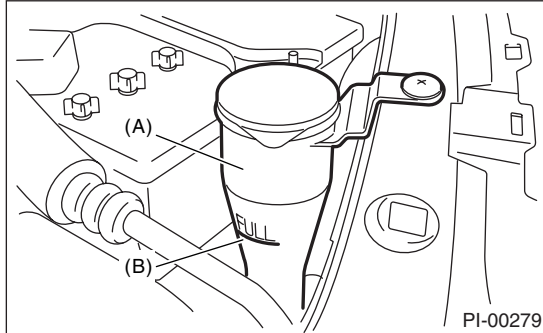
Check the clutch fluid amount. If the amount of fluid is insufficient, check that no leaks are found. Then, add the necessary amount of specified fluid.



- (A) Reservoir tank
- (B) MIN. level
- (C) MAX. level

18. WINDOW WASHER FLUID

Check the window washer fluid amount. If the amount is insufficient, check that no leaks are found. Then, add the necessary amount of washer fluid commercially available.



- (A) Window washer tank
- (B) FULL level

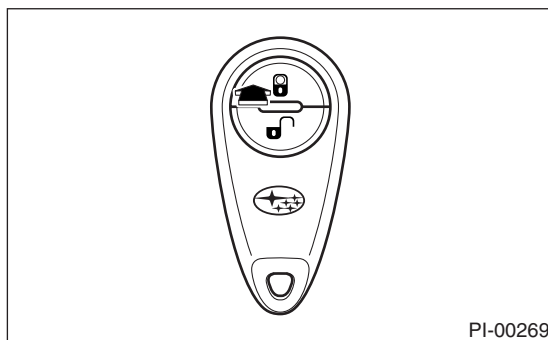
19. FRONT HOOD LATCH CHECK

Retract the front hood stay and close the front hood. Check that the front hood is completely latched.

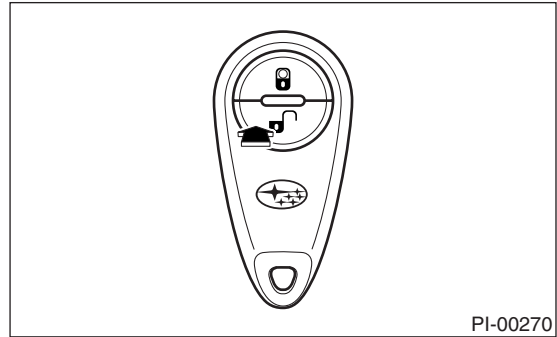
20. KEYLESS ENTRY SYSTEM

Check the keyless entry system operations as follows:

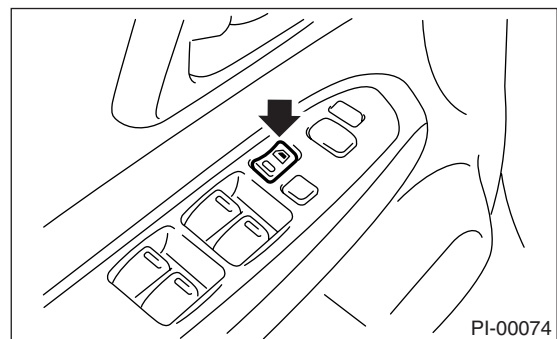
- Fully open all the door windows.
- Remove the key from the ignition switch and close all the doors including rear gate.
- Press the “LOCK/ARM” button once on the keyless transmitter. Check if all the doors are locked, the buzzer rings once and hazard light blinks once.



- Press the “UNLOCK/DISARM” button once on the keyless transmitter. Check if the driver’s side door is unlocked, the buzzer rings twice and hazard light blinks twice.



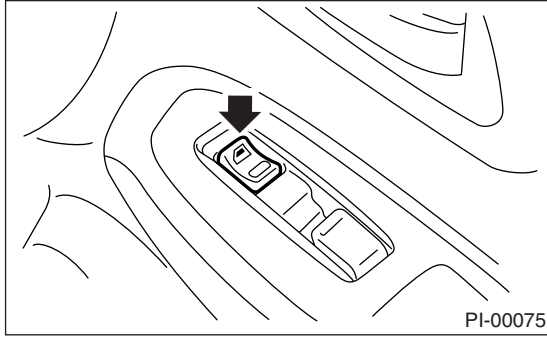
- Press the “UNLOCK/DISARM” button once on the keyless transmitter within 5 seconds. Check that all doors (including rear gate) are unlocked.
- Press the “LOCK/ARM” button on the keyless transmitter for approximately 2 seconds. Check whether a panic state (horn continuously honks) occurs. Also, check whether that state continues for 30 seconds or until the keyless transmitter button is pressed.
- Press the “LOCK/ARM” button once on the keyless transmitter with one door (including the rear gate) open. Check that the buzzer rings five times and the door open warning is issued. Next, close all the doors including rear gate. Check if all the doors are locked, the buzzer rings once and hazard light blinks once.
- Press the “LOCK” side of the power door switch with one door (including the rear gate) open. Next, close all the doors including rear gate. Check if all the doors are locked, the buzzer rings once and hazard light blinks once.
- Driver’s side



Pre-delivery Inspection

PRE-DELIVERY INSPECTION

- Passenger's side



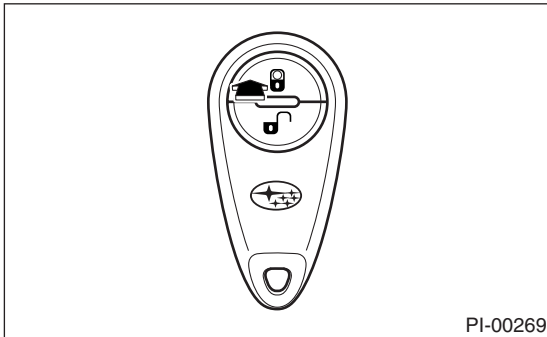
CHECK ALARM OPERATION.

The system uses a buzzer to ring an alarm when the doors are locked or unlocked. The alarm can be turned off if desired. To turn off the alarm, execute the unlocking procedures of the keyless entry system. Press the "LOCK/ARM" button and the "UNLOCK/DISARM" button simultaneously for more than 2 seconds. The buzzer will ring twice, the hazard light will blink twice, and the alarm will show that it is OFF. To turn ON the alarm, execute the unlocking procedures of the keyless entry system. Press the "LOCK/ARM" button and the "UNLOCK/DISARM" button simultaneously for more than 2 seconds. The buzzer will ring once, the hazard light will blink once, and the alarm will show that it is on.

21.ALARM SYSTEM

Check that the alarm system is operating as shown below.

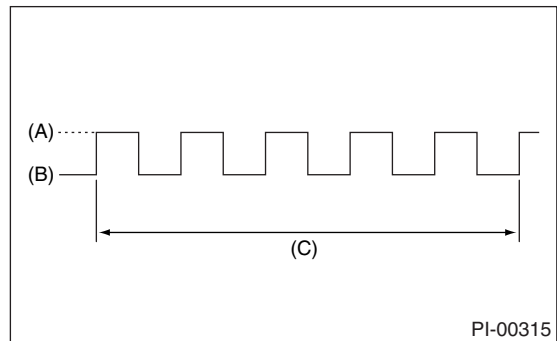
- 1) Fully open all the door windows.
- 2) Remove the key from the ignition switch and close all the doors including rear gate.
- 3) Press the "LOCK/ARM" button once on the keyless transmitter.



4) If all the doors are locked, the buzzer rings once, the hazard light blinks once and security indicator light blinks as shown in the figure, the alarm system is in the arming preparatory state.



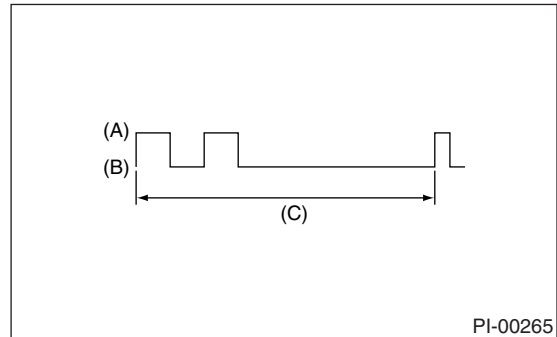
- Alarm system arming state



- (A) Light ON
- (B) Light OFF
- (C) 2 seconds

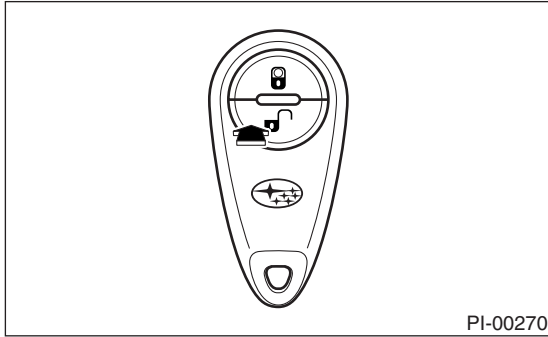
5) Check that the condition described in 4) lasts for 30 seconds and then the system is brought into the arming state.

- Alarm system arming state (all models)



- (A) Light ON
- (B) Light OFF
- (C) 2 seconds

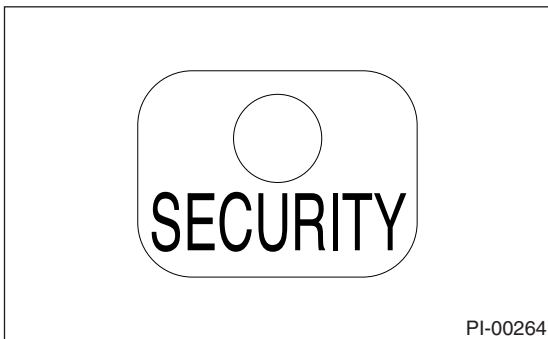
6) Press the “UNLOCK/DISARM” button once on the keyless transmitter.



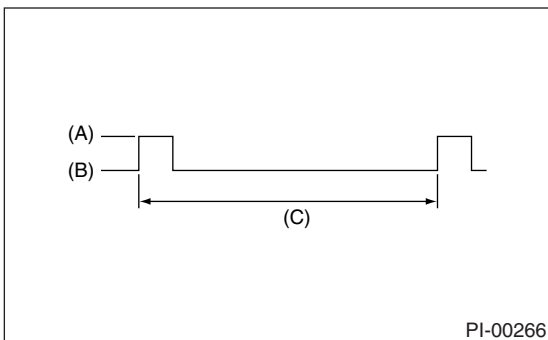
7) The driver’s side door is unlocked, the buzzer rings twice and hazard light blinks twice, the room light is lit and if the security indicator light is extinguished, the alarm system has been disarmed.

NOTE:

After pressing the “UNLOCK/DISARM” button on the keyless transmitter, the security indicator light does not blink on models without an immobilizer.

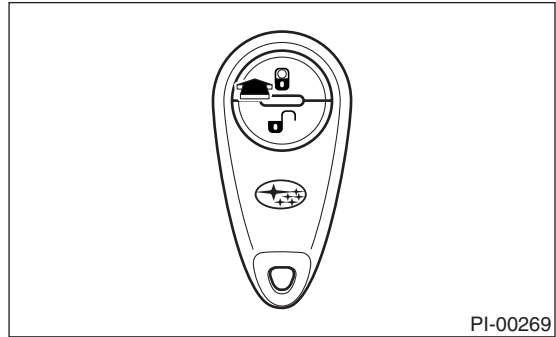


- Alarm system unarming preparatory state (model with immobilizer)



- (A) Light ON
- (B) Light OFF
- (C) 3 seconds

8) Press the “LOCK/ARM” button once on the keyless transmitter with one door (including the rear gate) open.

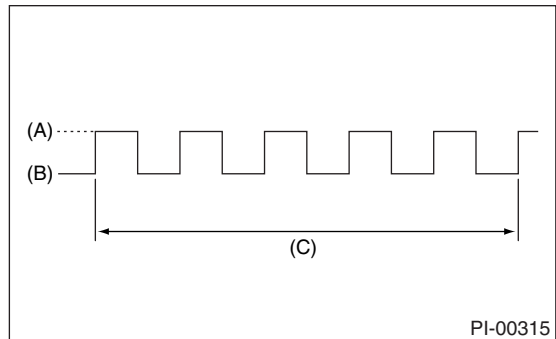


9) Check that the buzzer rings five times and the door open warning is issued.

10) Close all the doors including rear gate.

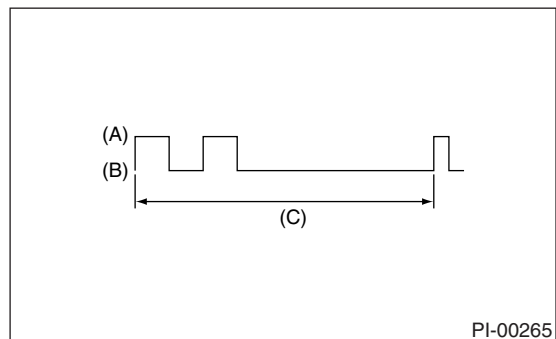
11) Check that it is in the arming state (all the doors are locked, the buzzer rings once and hazard light blinks once).

- Alarm system arming preparatory state



- (A) Light ON
- (B) Light OFF
- (C) 2 seconds

12) Check that the condition described in 11) lasts for 30 seconds and then the system is brought into the arming state.



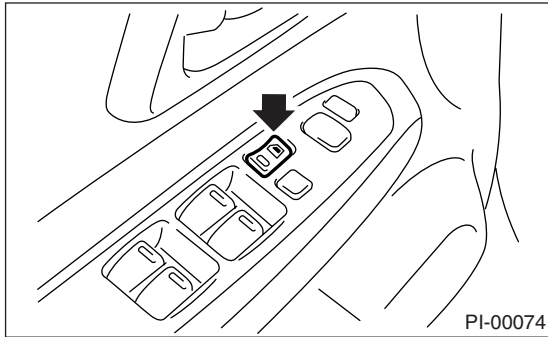
- (A) Light ON
- (B) Light OFF
- (C) 2 seconds

Pre-delivery Inspection

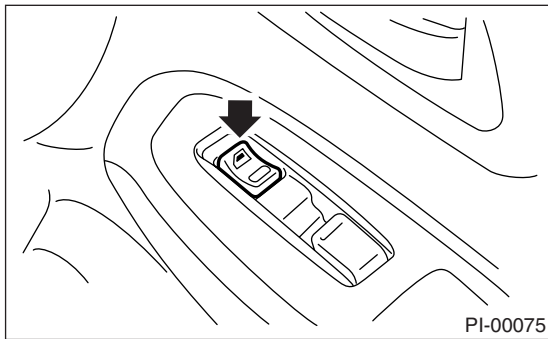
PRE-DELIVERY INSPECTION

13) Press the “LOCK” side of the power door switch with all doors (including the rear gate) open.

- Driver’s side



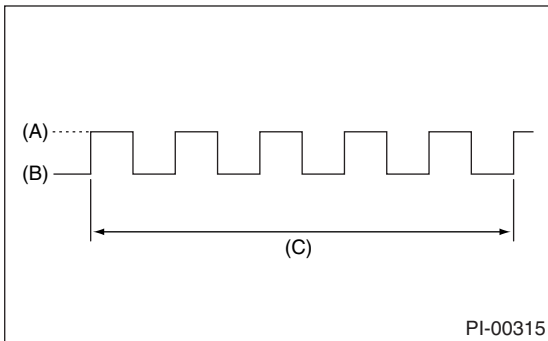
- Passenger’s side



14) Close all the doors including rear gate.

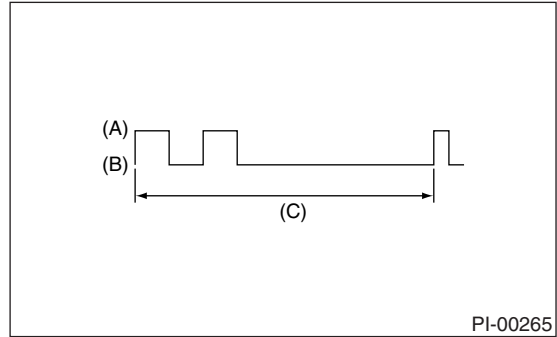
15) If all the doors are locked, the buzzer rings once and hazard light blinks once, the alarm system is in the arming preparatory state.

- Alarm system arming preparatory state



- (A) Light ON
- (B) Light OFF
- (C) 2 seconds

16) Check that the condition described in 15) lasts for 30 seconds and then the system is brought into the arming state.



- (A) Light ON
- (B) Light OFF
- (C) 2 seconds

17) Use the inner lock knob or key to unlock the door, and open the door while the alarm system is in the arming state.

18) Check whether the alarm state (horn continuously honks, hazard light blinks, and security indicator light illuminates) has occurred.

19) Check that the state described in 18) lasts for 30 seconds or more, or until the keyless transmitter button “UNLOCK/DISARM” is pressed.

20) Also, check that the starter motor does not operate and the engine does not start even if the ignition key is turned to the “START” position while in the arming state.

21) For model with impact sensor, manually tap on the windshield glass to cause an alarm to occur while the alarm system is in the arming state.

22) Perform troubleshooting on the security system if the above does not apply. <Ref. to SL-23, INSPECTION, Security System.>

22. SEAT

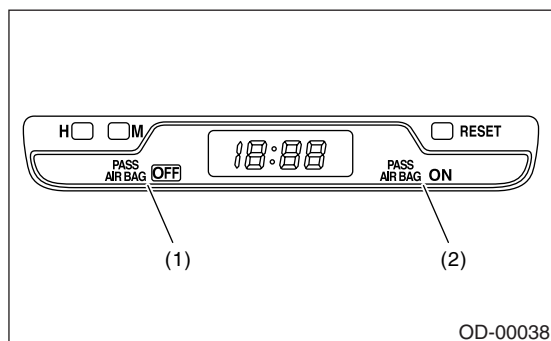
1) Check that each seat provides full functionality in sliding and reclining. Check all of the functions of the rear seat.

2) Check that the passenger's seat occupant detection system.

(1) Empty the passenger's seat and turn the ignition switch to ON.

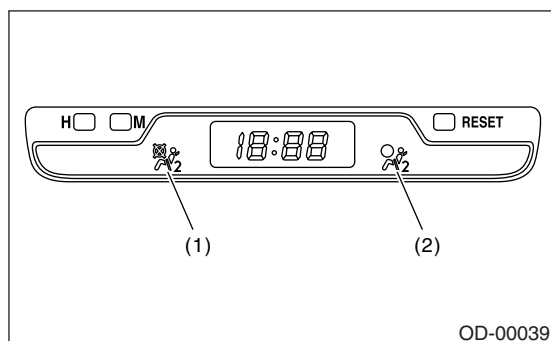
(2) Check the ON and OFF of passenger's airbag indicator light come on simultaneously for about 6 seconds and go off for 2 seconds, and then only OFF comes on again.

- U.S. model



- (1) Passenger's airbag OFF indicator light
- (2) Passenger's airbag ON indicator light

- Canada model



- (1) Passenger's airbag OFF indicator light
- (2) Passenger's airbag ON indicator light

(3) Put the special tool weight A and B on the passenger's seat to check if the ON of passenger's airbag indicator light comes on in about 4 seconds.

(4) Empty the passenger's seat and check if the OFF of passenger's airbag indicator light comes on in about 2 seconds.

23. SEAT BELT

1) Pull out the seat belt and then release it. Check that the belt retracts smoothly.

2) Check seat belt warning system

(1) Turn the ignition switch to ON without fastening driver's and passenger's seat belts.

(2) Check if the seat belt warning lights of driver's and passenger's side blink for about 6 seconds and the buzzer beeps intermittently.

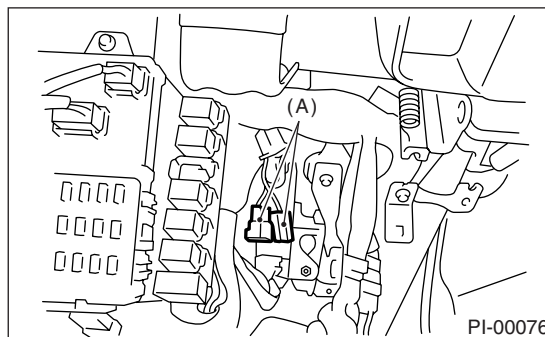
(3) Then, check that the seat belt warning light comes on and blinks, and buzzer beeps in 15 second cycles. (If the passenger's seat is empty, seat belt warning light for passenger's side does not operate.)

24. WHEEL ALIGNMENT

Check the wheel alignment. <Ref. to FS-5, Wheel Alignment.> <Ref. to RS-6, Wheel Alignment.>

25. TEST MODE CONNECTOR

Turn the ignition switch to ON and check that the engine malfunction indicator light starts blinking. If the light blinks, return the ignition key to LOCK and disconnect the test mode connector. Then, turn the ignition key to ON again. If the engine malfunction indicator light blinks at that time in spite of the disconnected test mode connector, carry out an engine diagnosis.



(A) Test mode connector (Green)

26. STARTING CONDITION

Start the engine and check that the engine starts smoothly. If the battery voltage is low, recharge or replace the battery. If any noises are observed, immediately stop the engine and check and repair the abnormal components.

27. EXHAUST SYSTEM

Listen to the exhaust noise to see if no noises are observed.

28. INDICATOR AND WARNING LIGHTS

Check that all the indicator and warning lights are gone out.

Pre-delivery Inspection

PRE-DELIVERY INSPECTION

29.CLOCK

Check the clock for normal operations and enough accuracy.

30.RADIO

Check the radio for full functionality and normal noise level. Also check the CD unit operations.

31.ACCESSORY POWER SOCKET

- 1) Check the lighting system operations.
- 2) Check operation of the accessory power socket in console box.
- 3) Check operation of the accessory power socket in luggage room.

32.LIGHTING SYSTEM

- Check the headlight operations.
- Check the stop light operation.
- Check other lights for normal operations.

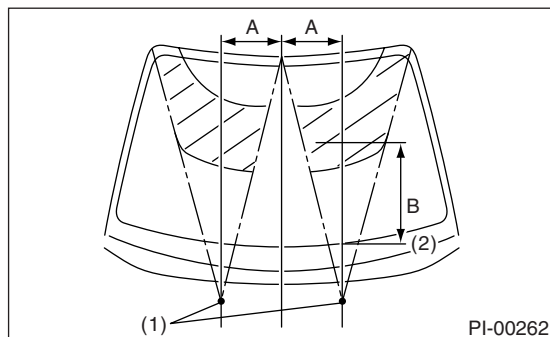
33.WINDOW WASHER

Check that the window washer system injects washer fluid to the specified area of the windshield and rear window glass shown in the figure.

Front injection position:

A: 250 mm (9.84 in)

B: 345 mm (13.58 in)

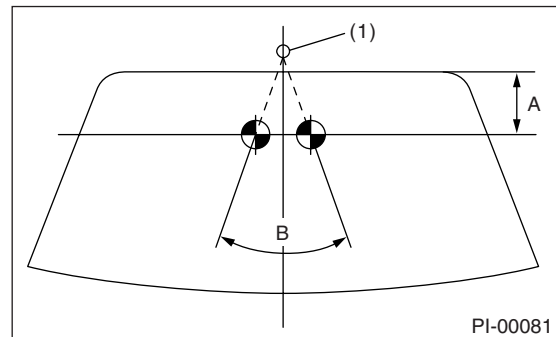


- (1) Nozzle
(2) Ceramic line

Rear injection position:

A: 35 mm (1.38 in)

B: 72°



- (1) Nozzle

34.WIPER

Check the front and rear wipers for normal operations.

35.POWER WINDOW OPERATION CHECK

Operate the power window switches one by one to check that each of the power windows goes up and down without noises.

36.BRAKE TEST

Check the foot brake for normal operations.

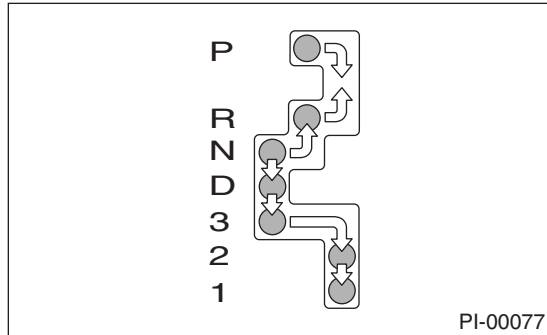
37.PARKING BRAKE

Check the parking brake for normal operations.

38.AT SHIFT CONTROL

- 1) Turn the ignition switch to ON.
- 2) While brake pedal is not depressed, check if the select lever does not move from "P" range.
- 3) While brake pedal is depressed, check if the select lever moves from "P" range.
- 4) Set the select lever to other than "P" range.
- 5) When the ignition switch is turned OFF, check if the ignition key switch cannot be removed.

6) Set the AT selector lever to each gear position while checking that the demanded gear position is correctly attained.



Selector Position	Gear position			
	1st	2nd	3rd	4th
D	OK	OK	OK	OK
3	OK	OK	OK	—
2	—	OK	—	—
1	OK	—	—	—

39. HEATER & VENTILATION

Operate the heater & ventilation system to check for normal airflow outlet control, air inlet control, airflow capacity and heating performance.

40. AIR CONDITIONER

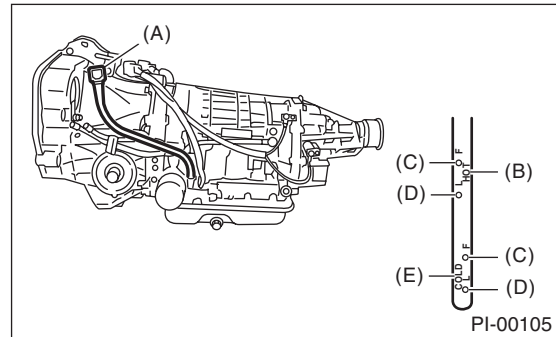
Operate the air conditioner. Check that the A/C compressor operates normally and enough cooling is provided.

41. CRUISE CONTROL

Operate the cruise control system. Check whether operating and canceling of other systems can be executed correctly.

42. ATF LEVEL

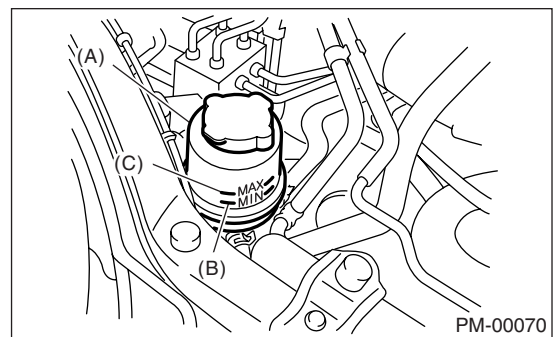
After selecting all positions (P, R, N, D, 3, 2, 1), set the select lever in P range. Measure the ATF level with engine idling for one or two minutes. If the amount of ATF is insufficient, check that no leaks are found. Then, add the necessary amount of the specified ATF.



- (A) Level gauge
- (B) Check position when "HOT" (70 — 80°C (158 — 176°F))
- (C) Upper level
- (D) Lower level
- (E) Check position when "COLD" (20 — 30°C (68 — 86°F))

43. POWER STEERING FLUID LEVEL

Check that the power steering fluid level is normal. If insufficient, check for leaks. Then add the necessary amount of the specified power steering fluid.



- (A) Reservoir tank
- (B) MIN. level
- (C) MAX. level

Pre-delivery Inspection

PRE-DELIVERY INSPECTION

44. FLUID LEAK CHECK

Check entire areas of the vehicle for any trace of coolant/oil/fluid leaks.

45. WATER LEAK TEST

Spray the vehicle with water using a hose and check that no water enters the passenger compartment.

- Before performing the water leakage test, remove anything that may obstruct the operation or which must be kept dry.
- Close all the windows and doors securely. Close the hood before starting the test.
- Connect a hose to a tap, and spray water on the vehicle. The rate of water spray must be approx. 20 to 25 ℓ (5.3 — 6.6 US gal, 4.4 — 5.5 Imp gal) per minute.

When spraying water on areas adjacent to the floor and wheel house, increase the pressure. When spraying water on areas other than the floor and wheel house, decrease the pressure. But the force of water must be made strong occasionally by pressing the end of the hose.

NOTE:

Be sure to keep the hose at least 10 cm (3.9 in) from vehicle.

Check the following areas.

- Front window and body framework mating portion
- Door mating portions
- Glass mating portions
- Rear quarter window mating portions
- Rear window and body framework mating portion
- Around roof drips

If any dampness in the compartments is discovered after the water has been applied, carefully check all the areas that may have possibly contributed to the leak.

46. APPEARANCE CHECK 2

1) When vehicle body is covered with protective film (wrap guard), peel it off.

NOTE:

- It is easier to remove the wrap guard using steam.
- For the vehicle left for a long time or at low temperature, sprinkle some water heated 50 — 60°C (122 — 140°F) over the vehicle to raise its surface temperature before peeling off the wrap guard. Do not use the water heated to over 60°C (140°F).
- If the adhesive remains exists on the coated surface, soak a flannel rag, etc. with a small amount of coating wax or solvent such as oil benzene and IPA, put the soaked cloth on the remains lightly, and then wipe them off with a flannel rag etc.
- Keep solvent from touching the resin or rubber parts. Do not use coating wax or solvent while the component surface temperature is high due to hot weather etc.
- If the coated surface is swollen out due to seams or moisture, expose the vehicle to the sunlight for a few hours or heat the seam and swollen portions using a dryer etc.
- Dispose of the peeled wrap guard as burnable industrial garbage.
- If a yellow label is attached to the fog light lens, remove it.

2) Check the whole vehicle body for flaking paint, damage by transportation, corrosion, dirt, cracks or blisters.

NOTE:

- It is better to determine an inspection pattern in order to avoid missing an area, since the total inspection area is wide.
- Do not repair the body paint unless absolutely necessary. Also, if the vehicle is in need of repair to remove scratches or corroded paint, the repair area must be limited to the minimum. Re-painting and spray painting must be avoided as possible.

3) Check each window glass for scratches carefully. Slight damage may be removed by polishing with cerium oxide. (Fill a cup half with cerium oxide, and add warm water to it. Then agitate the content until it turns to wax. Apply this wax to a soft cloth, and polish the glass with it.)

4) Check each portion of the vehicle body and underside components for the formation of rust. If rust is discovered, remove it with sandpaper of #80 to #180 and treat the surface with rust preventive. After this treatment is completed, flush the portion thoroughly, and prepare the surface for repair painting.

5) Check each portion of body and all of the exterior parts for deformation or distortion. Also, check each lamp lens for cracks.

PERIODIC MAINTENANCE SERVICES

PM

	Page
1. General Description	2
2. Schedule	3
3. Engine Oil	6
4. Engine Oil Filter	8
5. Spark Plug	9
6. V-belt	10
7. Timing Belt	12
8. Fuel Line	15
9. Fuel Filter	16
10. Air Cleaner Element	17
11. Cooling System	18
12. Engine Coolant	20
13. Clutch System	22
14. Transmission Gear Oil	23
15. Hill-holder System	24
16. ATF	25
17. Front & Rear Differential Gear Oil	27
18. Brake Line	29
19. Brake Fluid	31
20. Disc Brake Pad and Disc	32
21. Brake Lining and Drum	33
22. Suspension	35
23. Wheel Bearing	37
24. Axle Boots & Joints	38
25. Tire Rotation	39
26. Steering System (Power Steering)	40
27. Airbag System	43