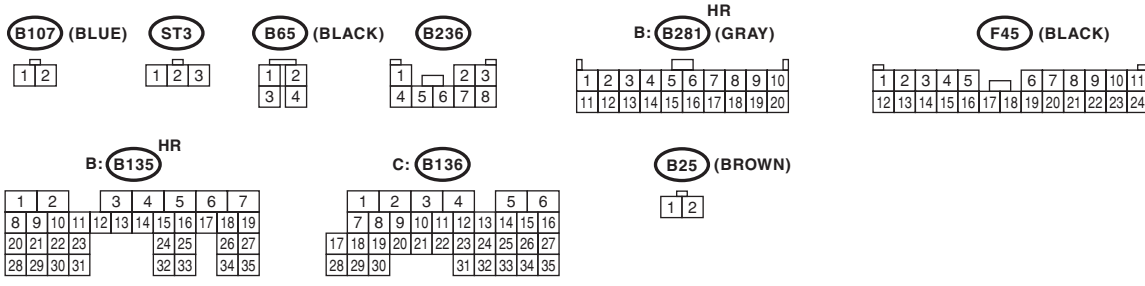
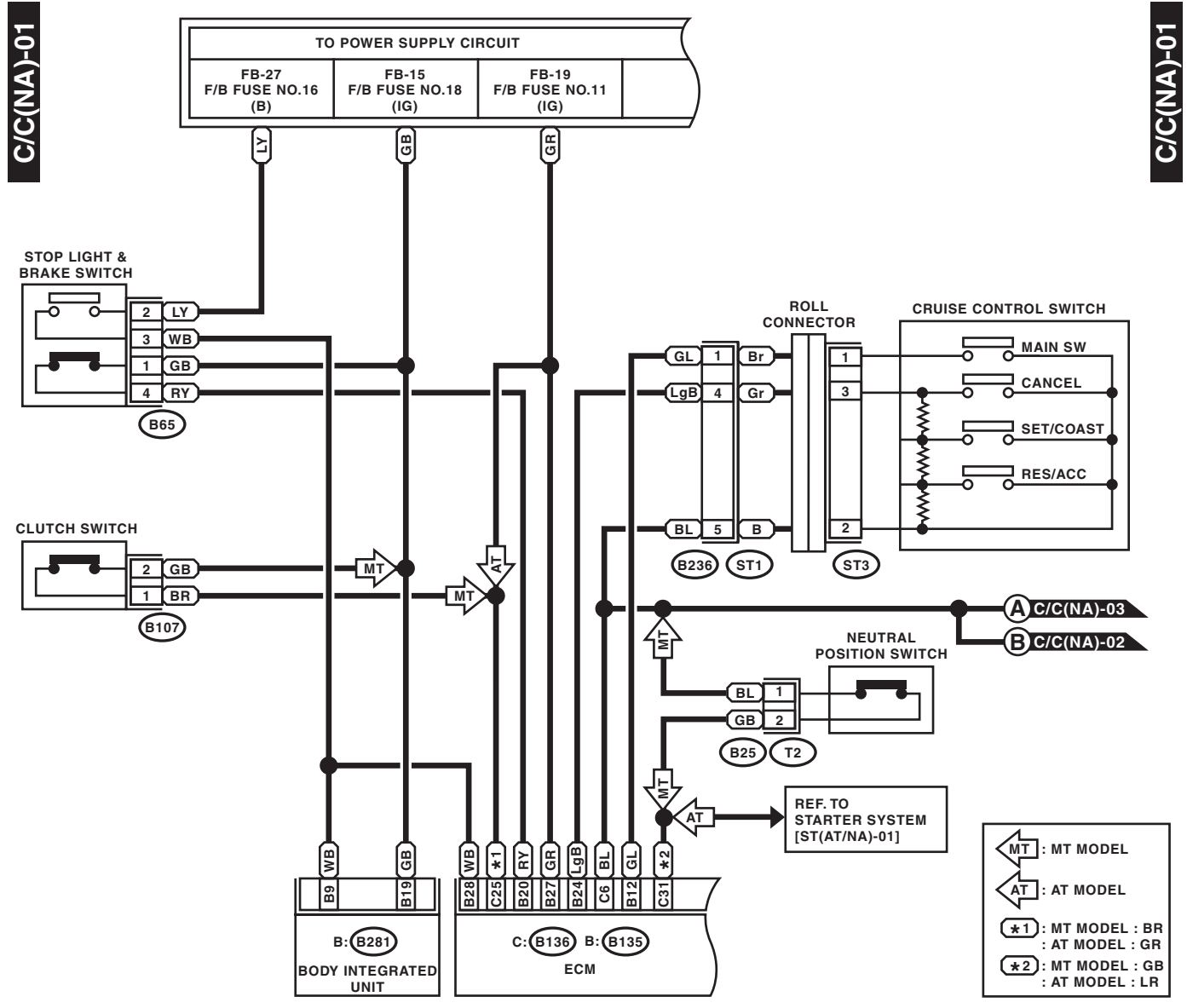


14. Cruise Control System

A: WIRING DIAGRAM

1. NON-TURBO MODEL

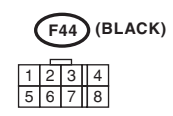
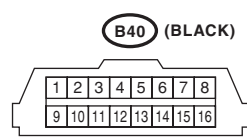
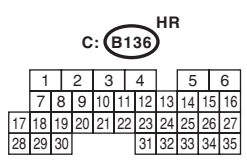
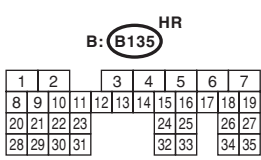
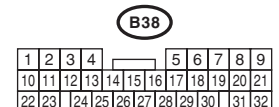
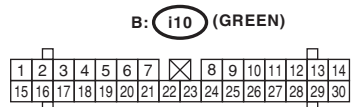
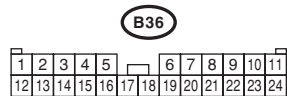
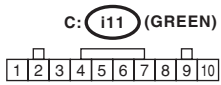
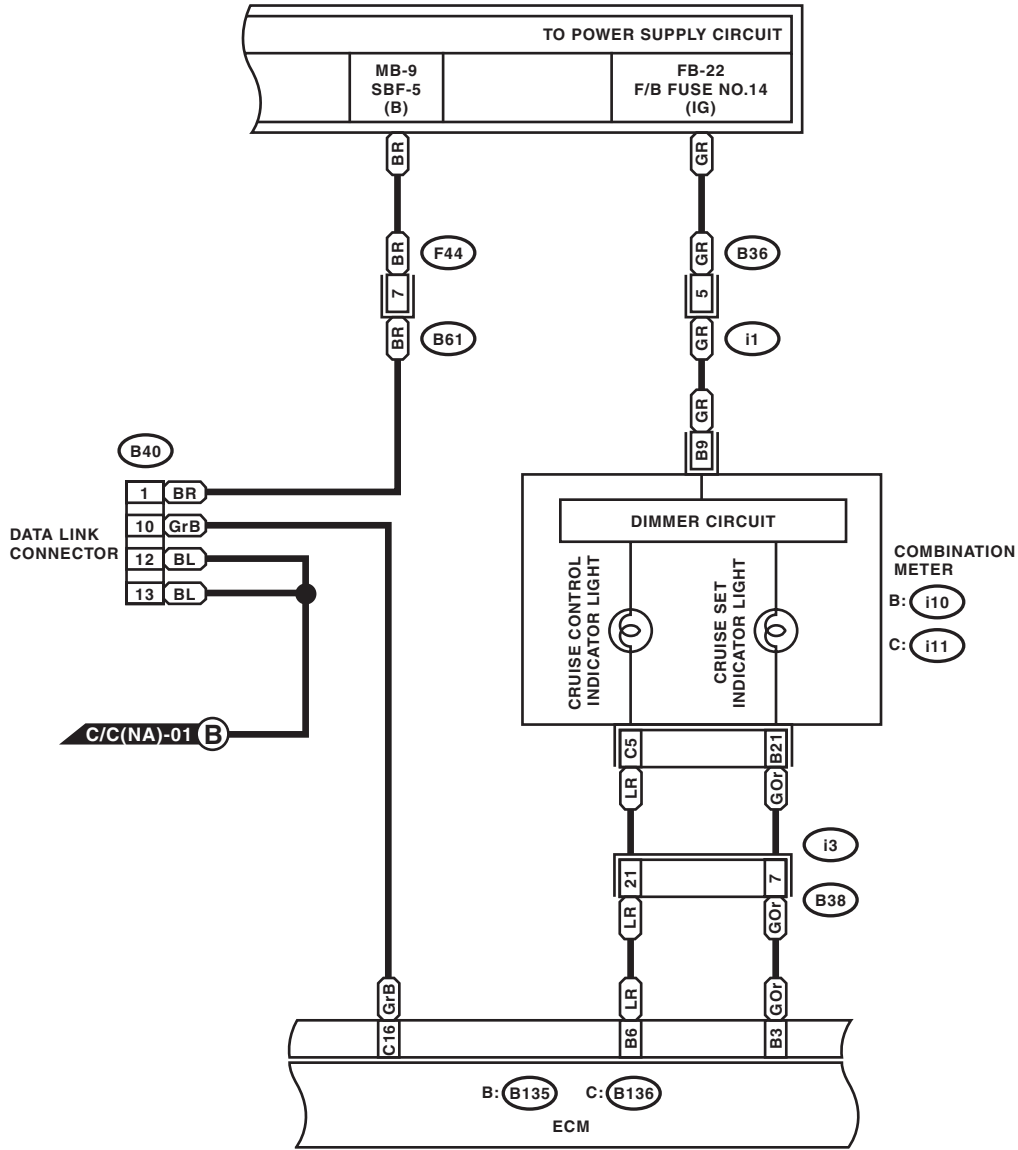


Cruise Control System

WIRING SYSTEM

C/C(NA)-02

C/C(NA)-02



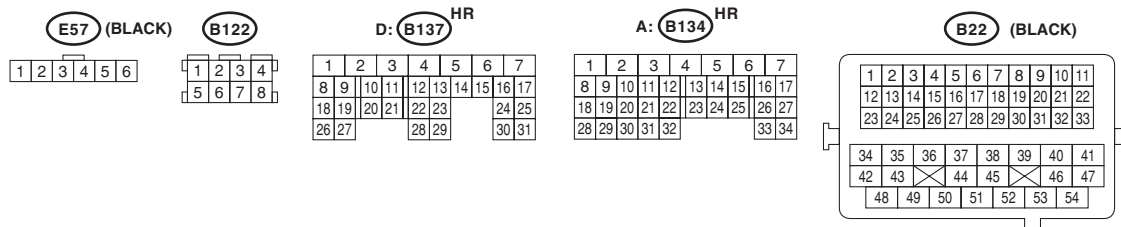
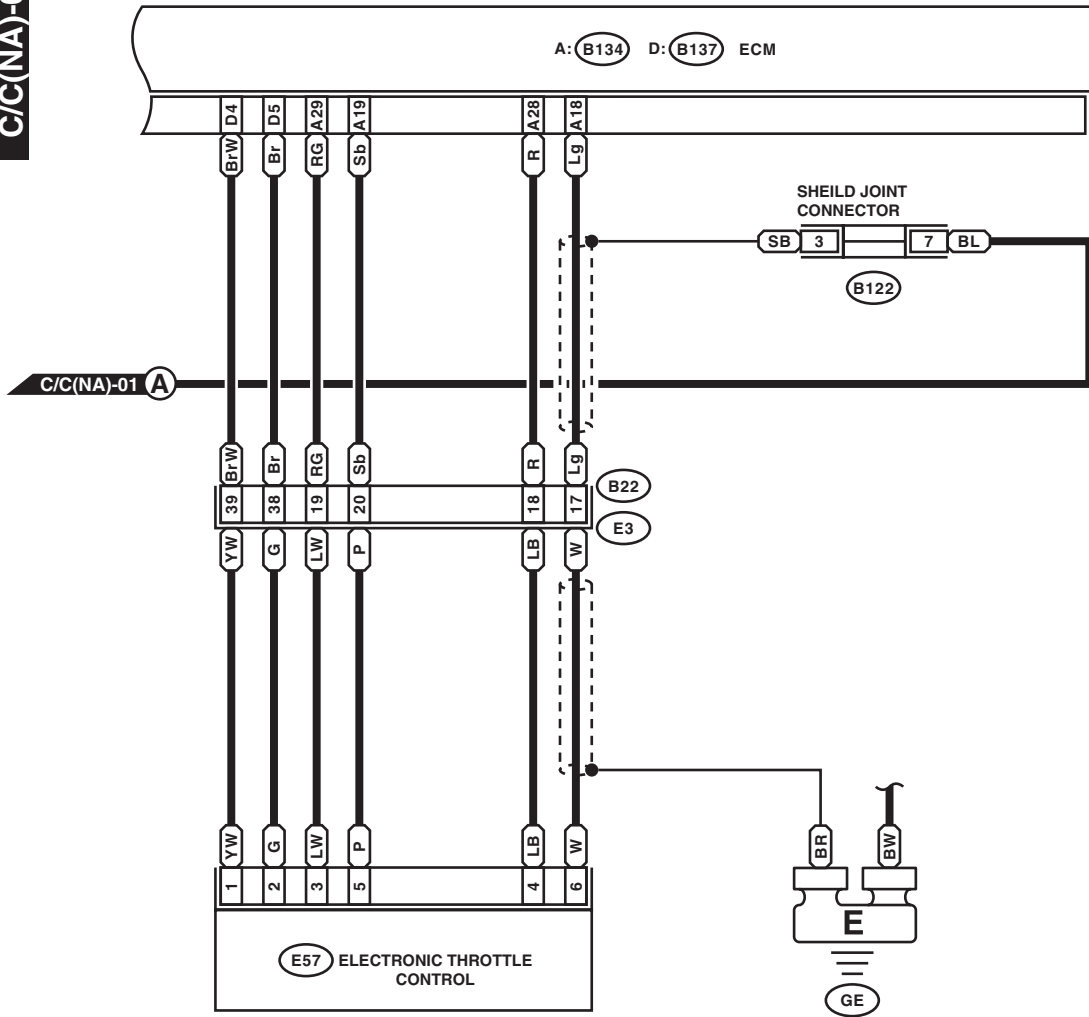
WI-11629

Cruise Control System

WIRING SYSTEM

C/C(NA)-03

C/C(NA)-03

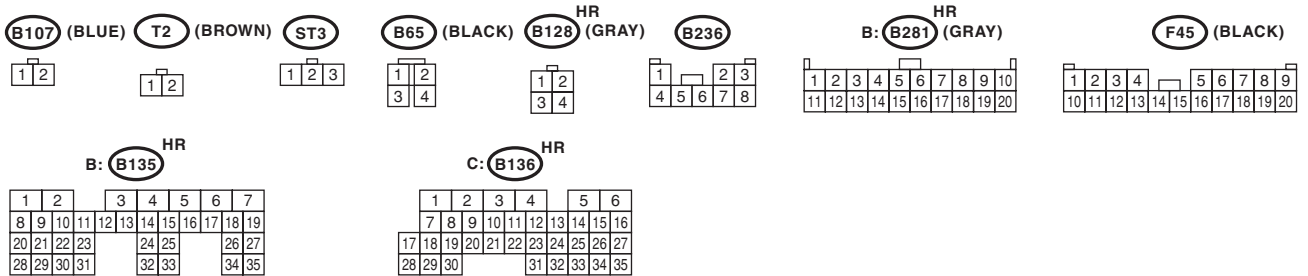
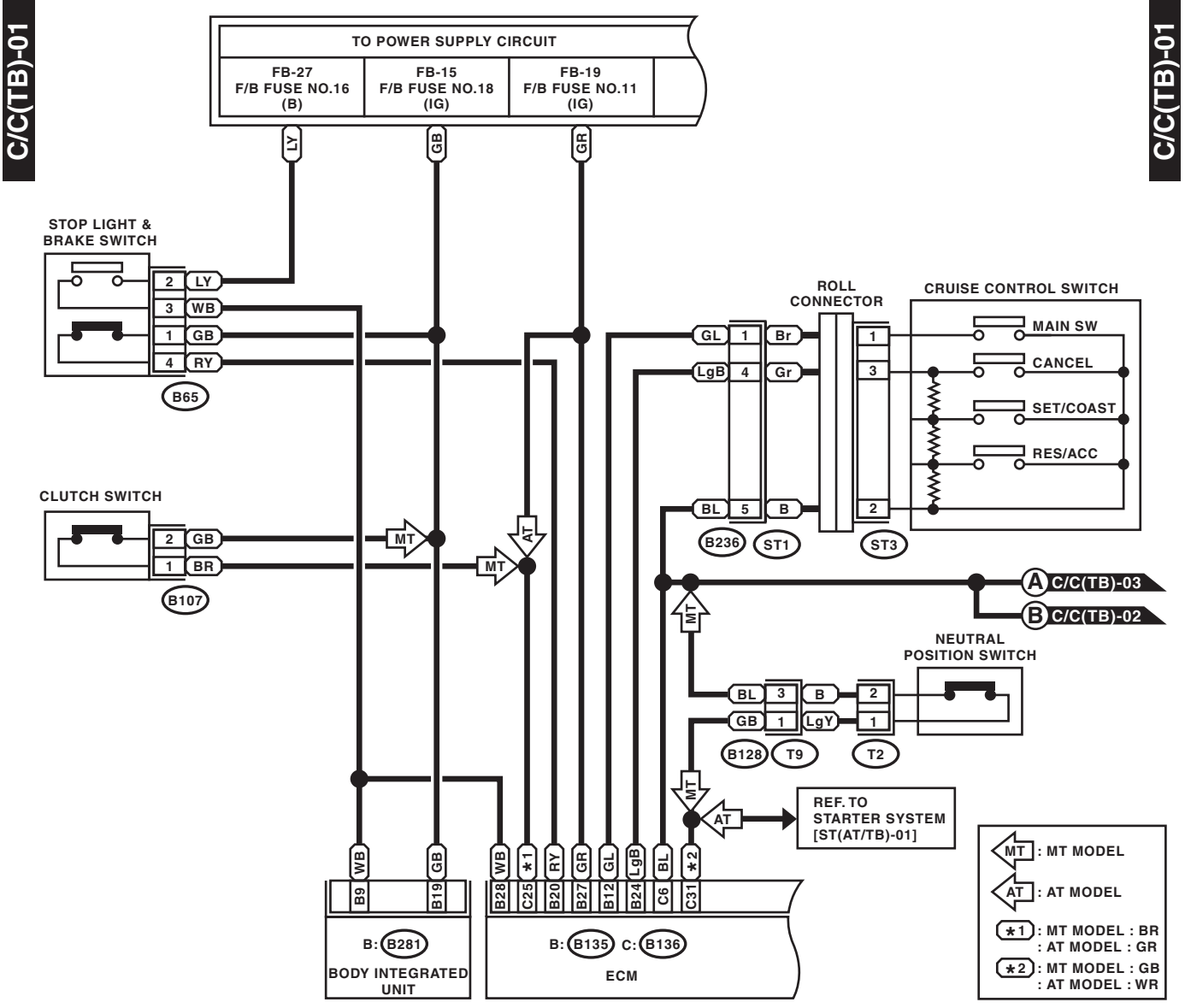


WI-11630

Cruise Control System

WIRING SYSTEM

2. TURBO MODEL



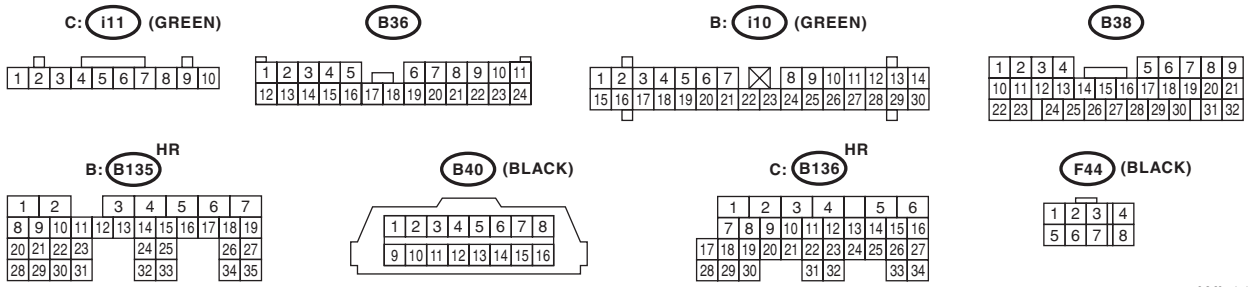
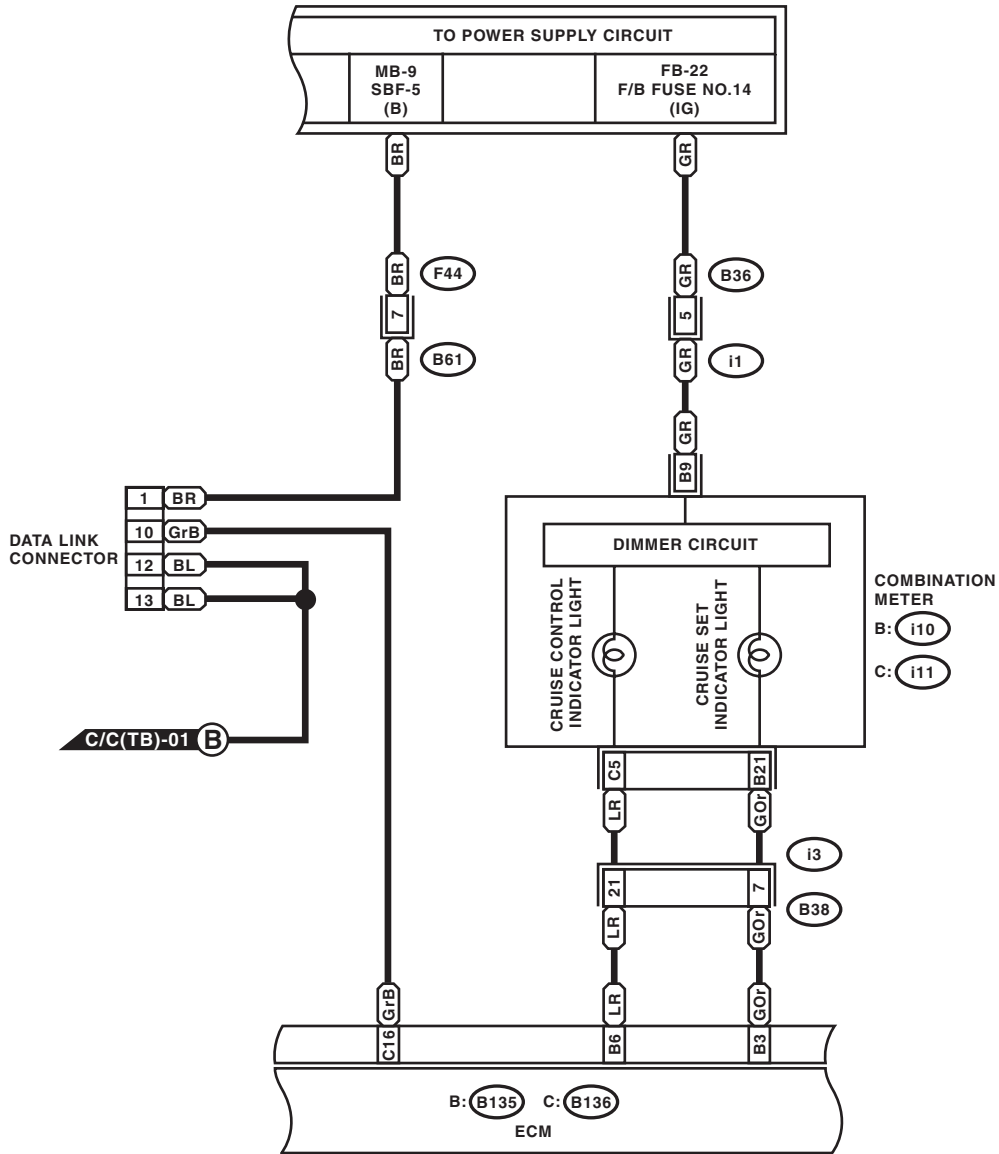
WI-11631

Cruise Control System

WIRING SYSTEM

C/C(TB)-02

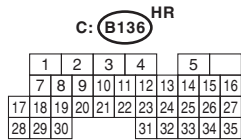
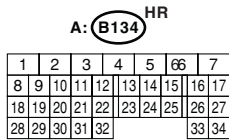
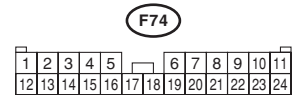
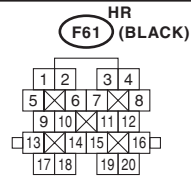
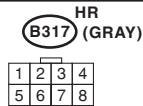
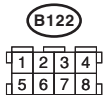
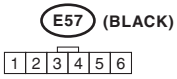
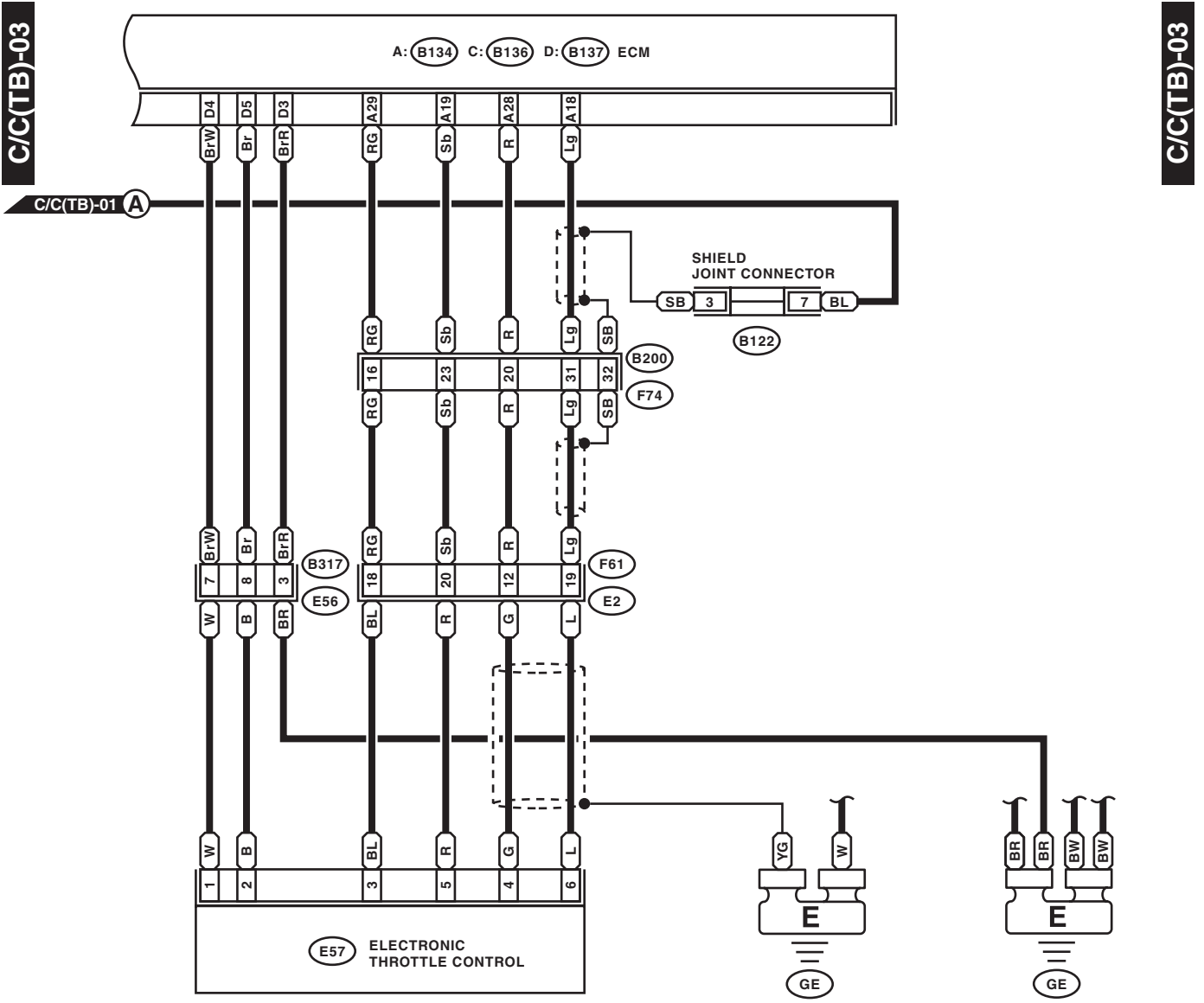
C/C(TB)-02



WI-11632

Cruise Control System

WIRING SYSTEM



WI-11633