

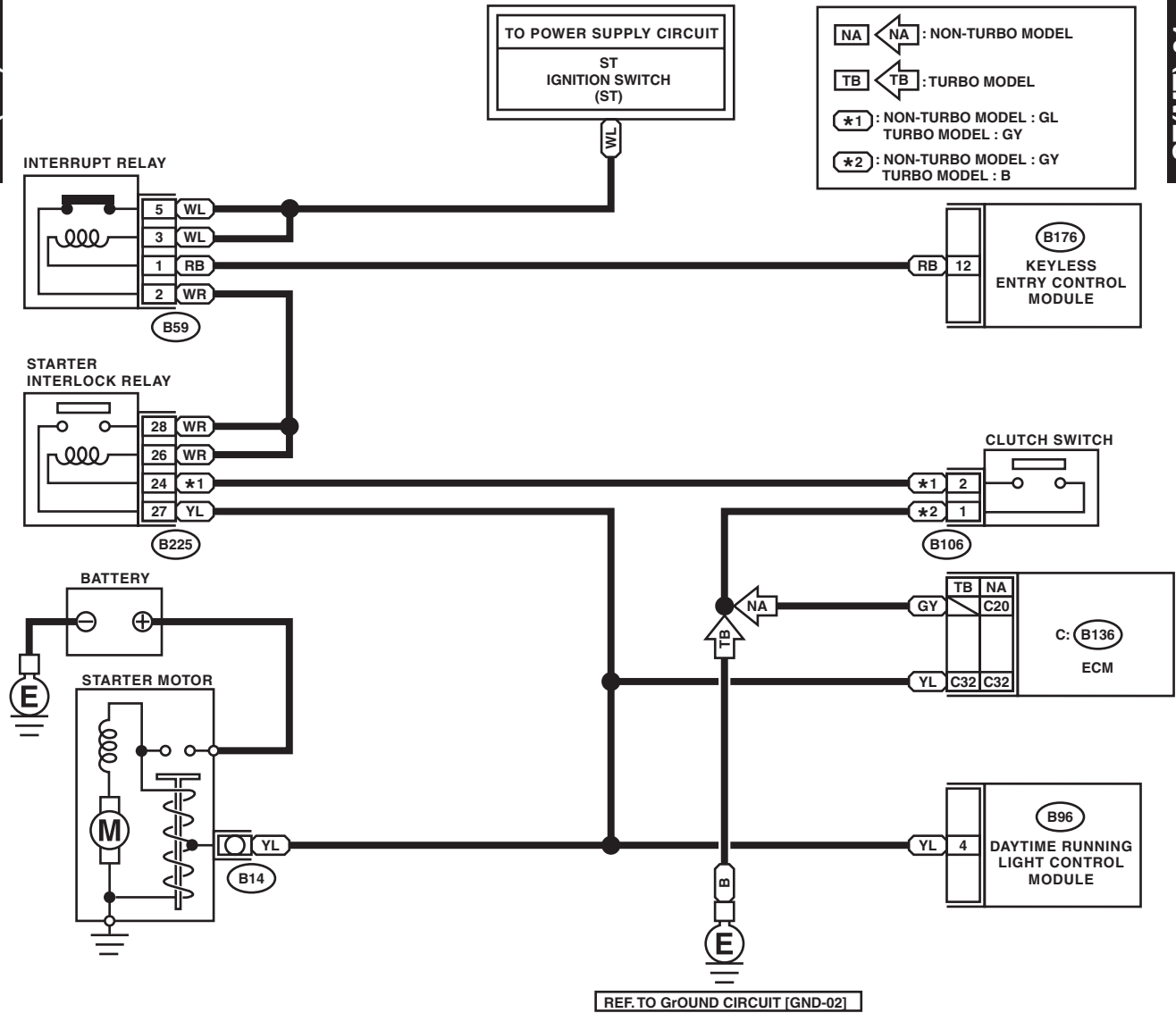
17. Starter System

A: WIRING DIAGRAM

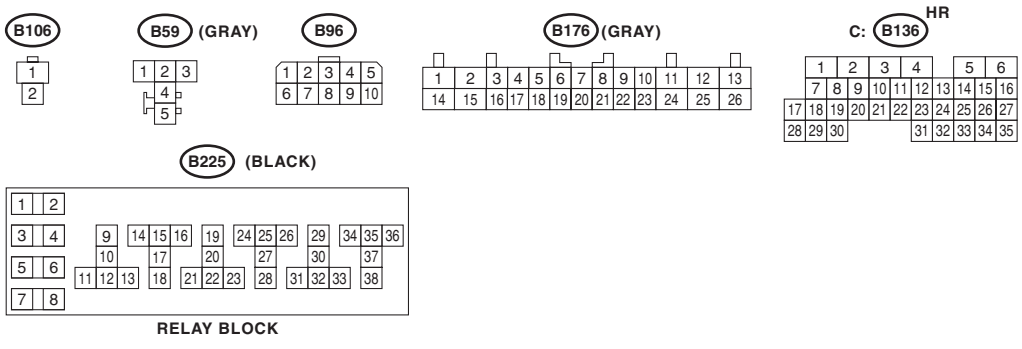
1. MT MODEL

ST(MT)-01

ST(MT)-01



REF. TO GROUND CIRCUIT [GND-02]



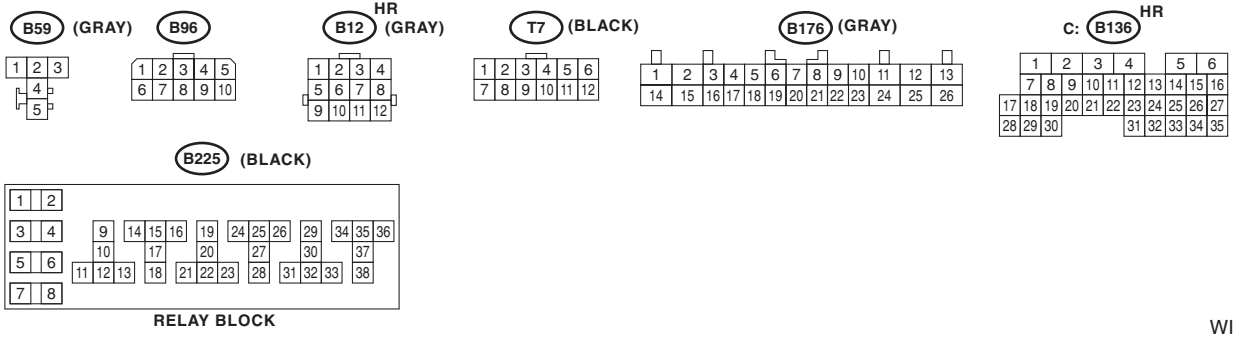
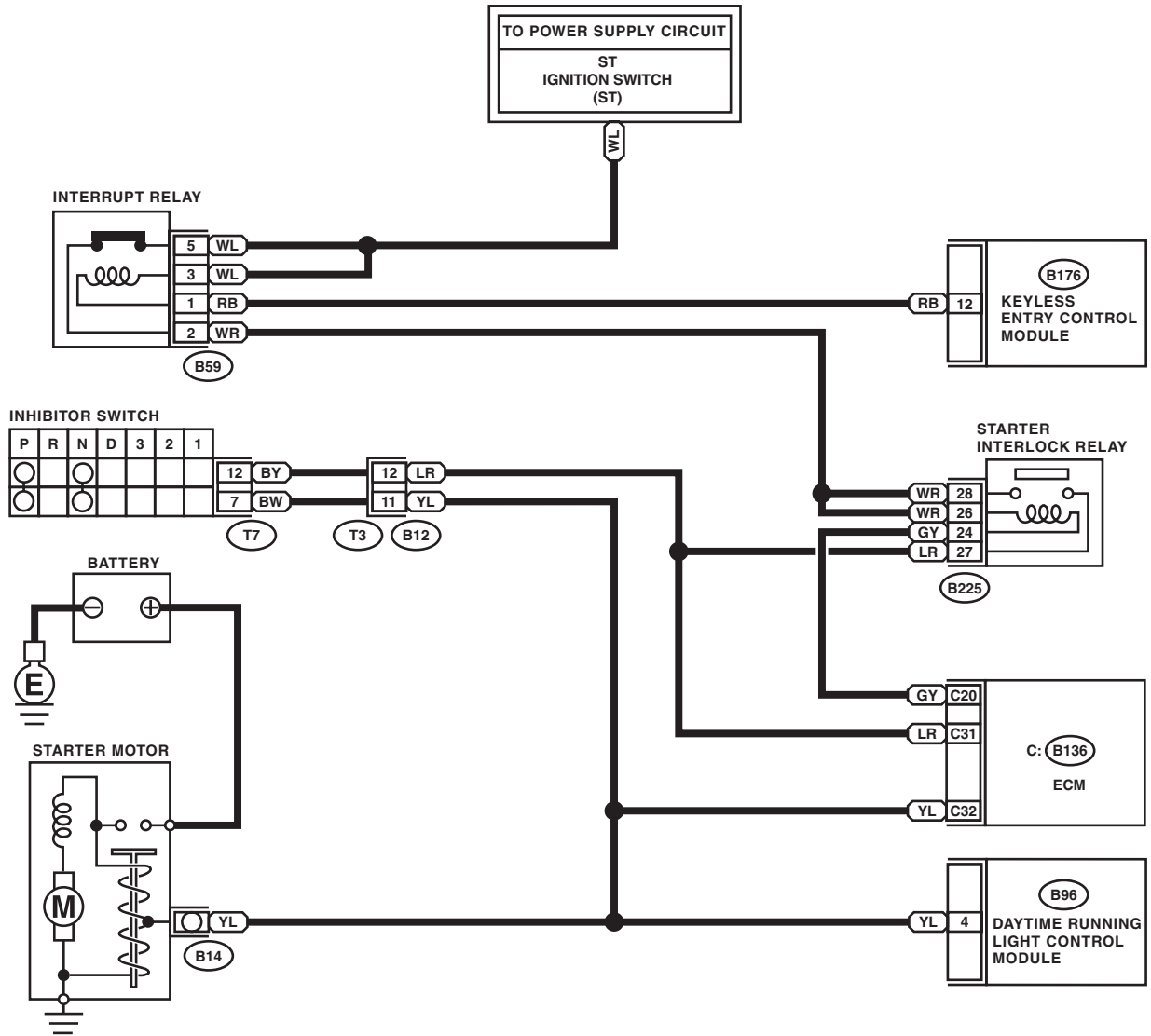
Starter System

WIRING SYSTEM

2. AT NON-TURBO MODEL

ST(AT/NA)-01

ST(AT/NA)-01



WI-11637

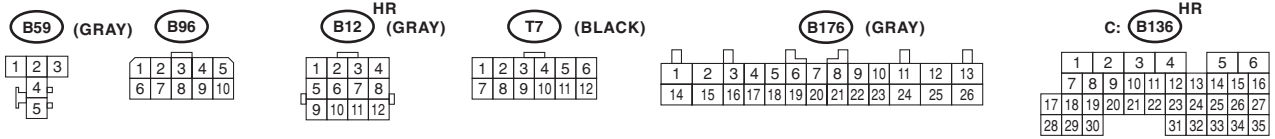
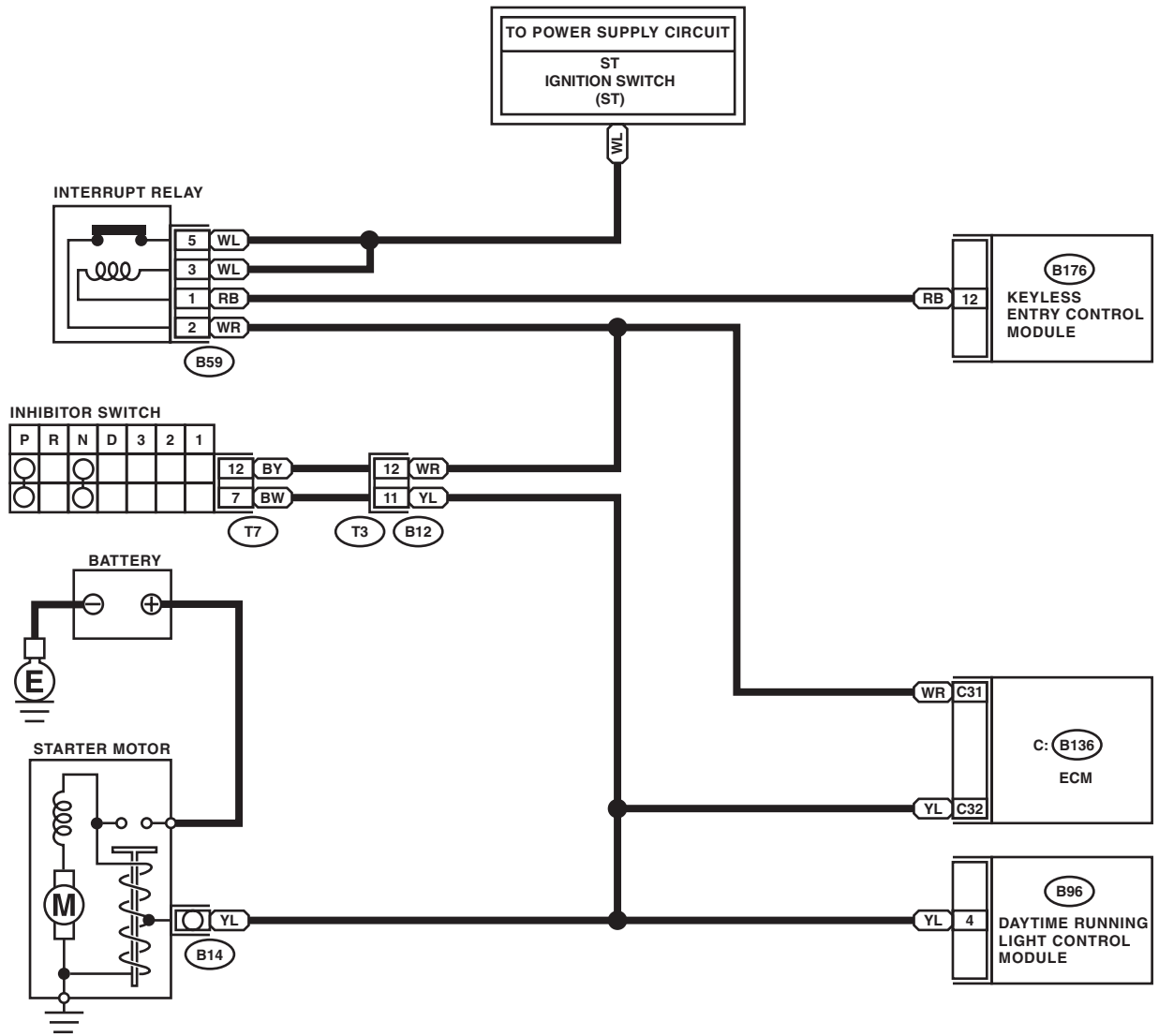
Starter System

WIRING SYSTEM

3. AT TURBO MODEL

ST(AT/TB)-01

ST(AT/TB)-01



WI-11638