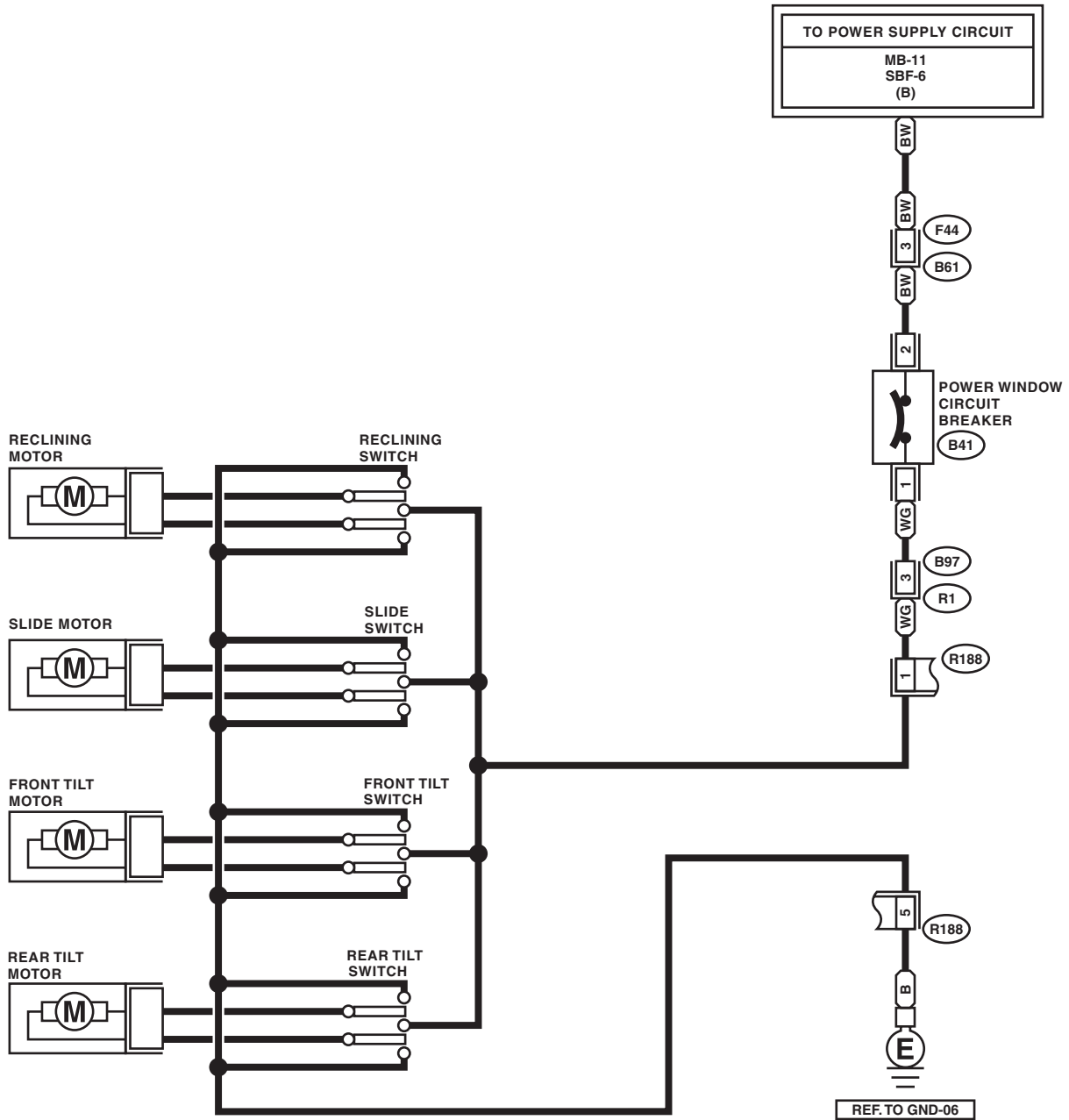


19. Power Seat System

A: WIRING DIAGRAM

P/SEAT-01

P/SEAT-01



- B41**
 - F44** (BLACK)
 - B97** (BLACK)
 - B188** (BLACK)
- | | | | |
|---|---|---|---|
| 1 | 2 | 3 | 4 |
| 5 | 6 | 7 | 8 |

WI-08410