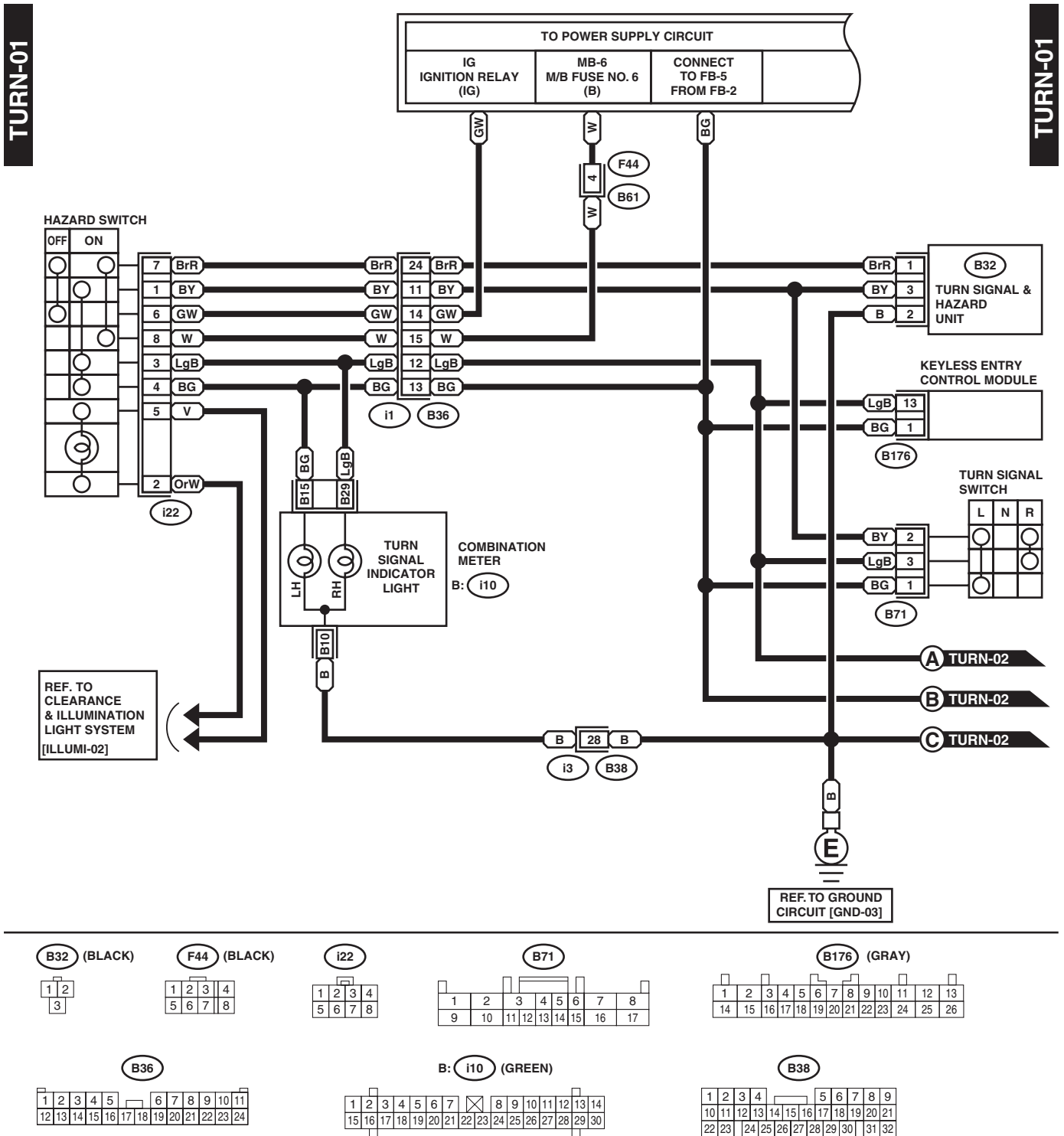


28. Turn Signal Light and Hazard Light System

A: WIRING DIAGRAM

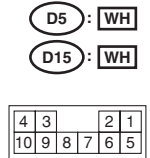
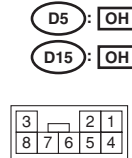
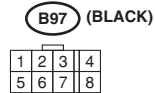
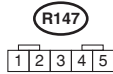
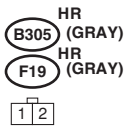
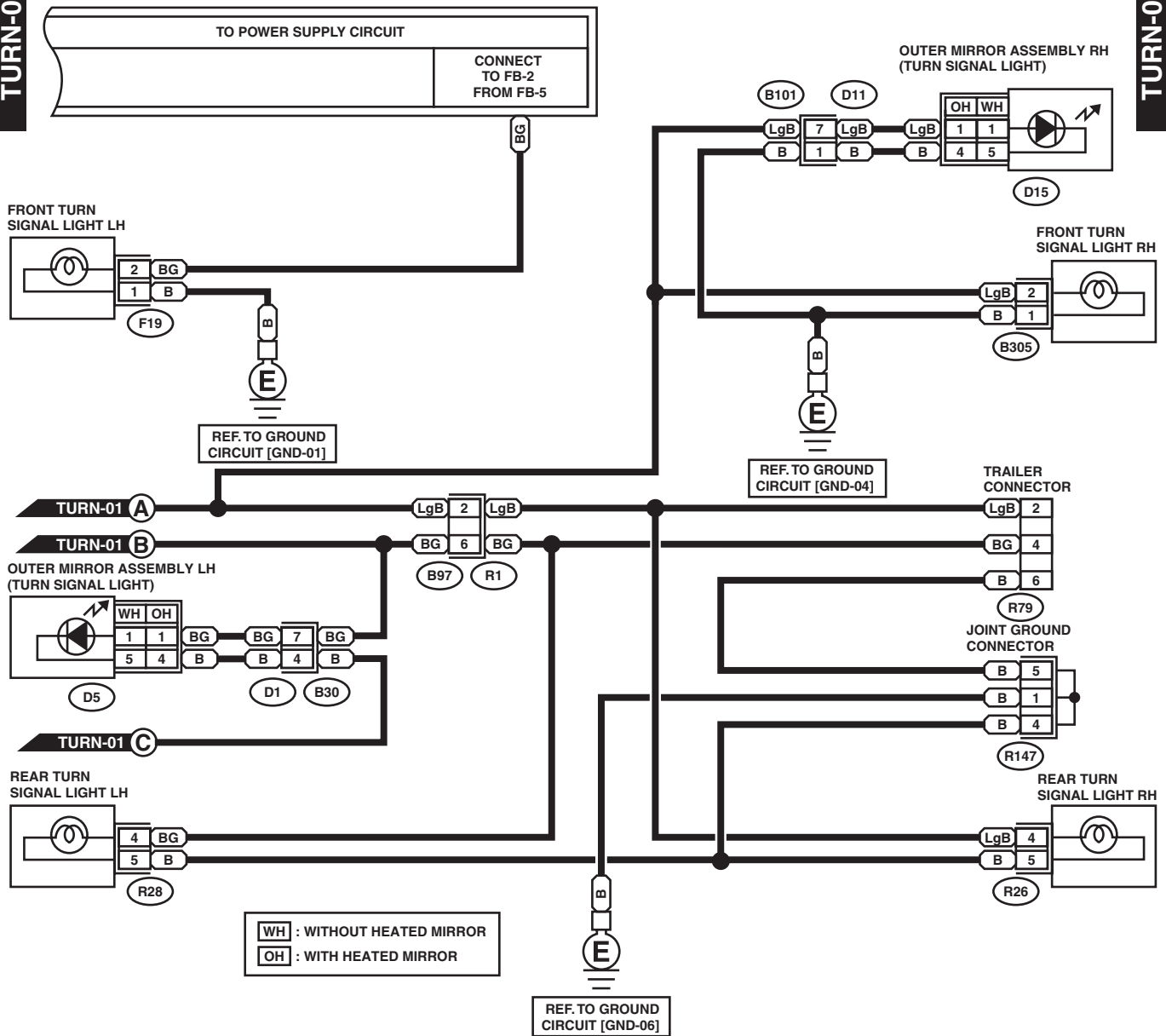


Turn Signal Light and Hazard Light System

WIRING SYSTEM

TURN-02

TURN-02



WI-11648