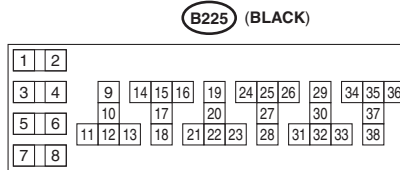
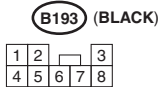
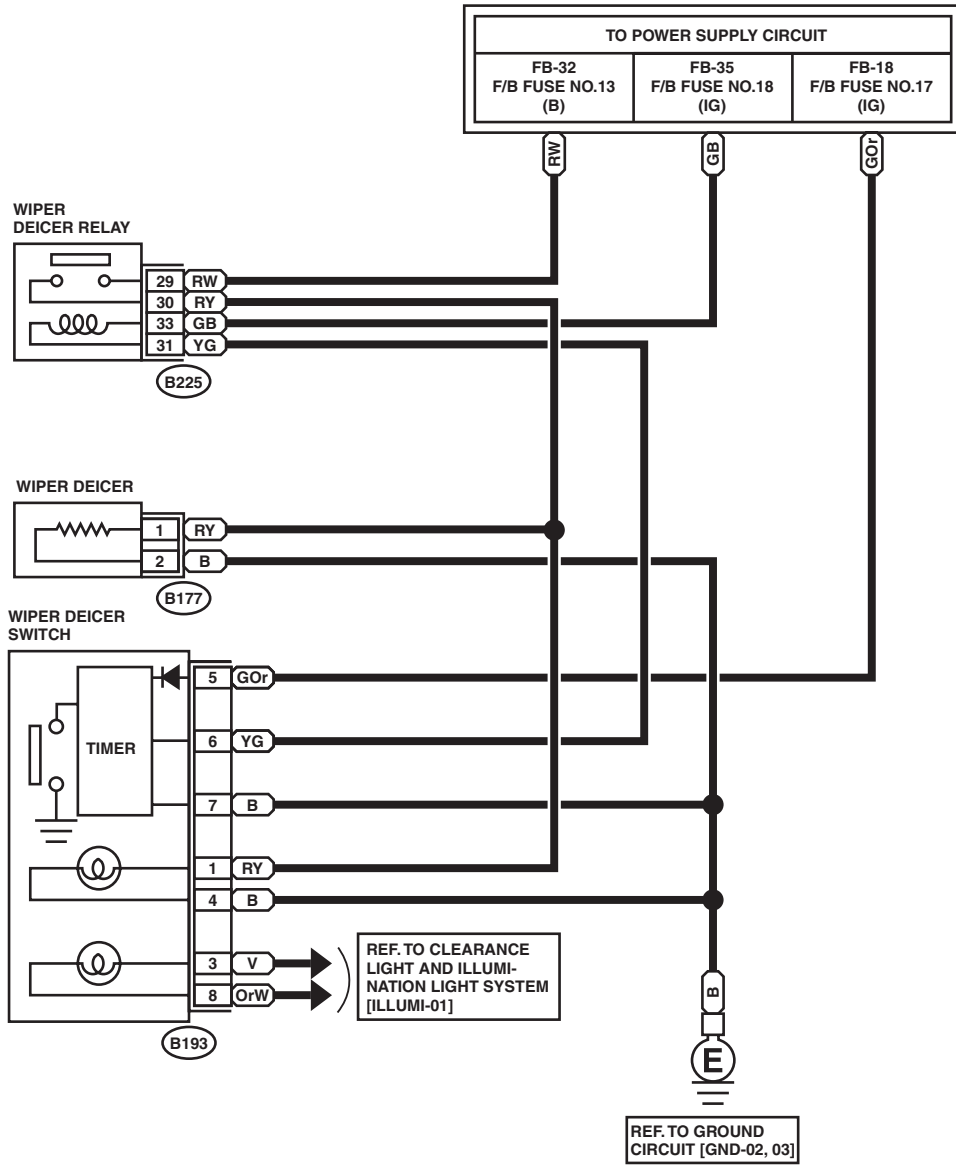


32. Wiper Deicer System

A: WIRING DIAGRAM

W/D-01

W/D-01



RELAY BLOCK