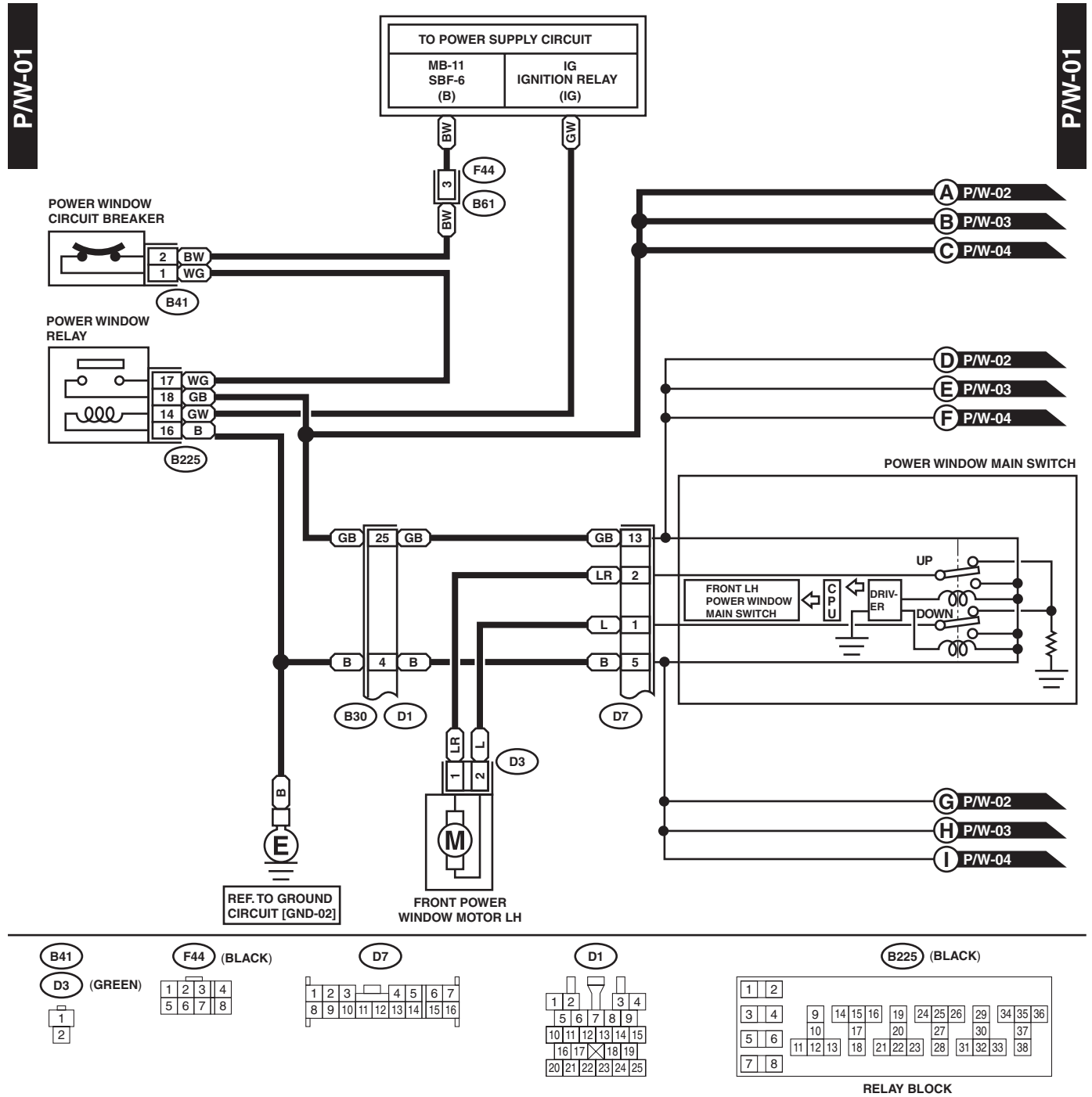


37. Power Window System

A: WIRING DIAGRAM



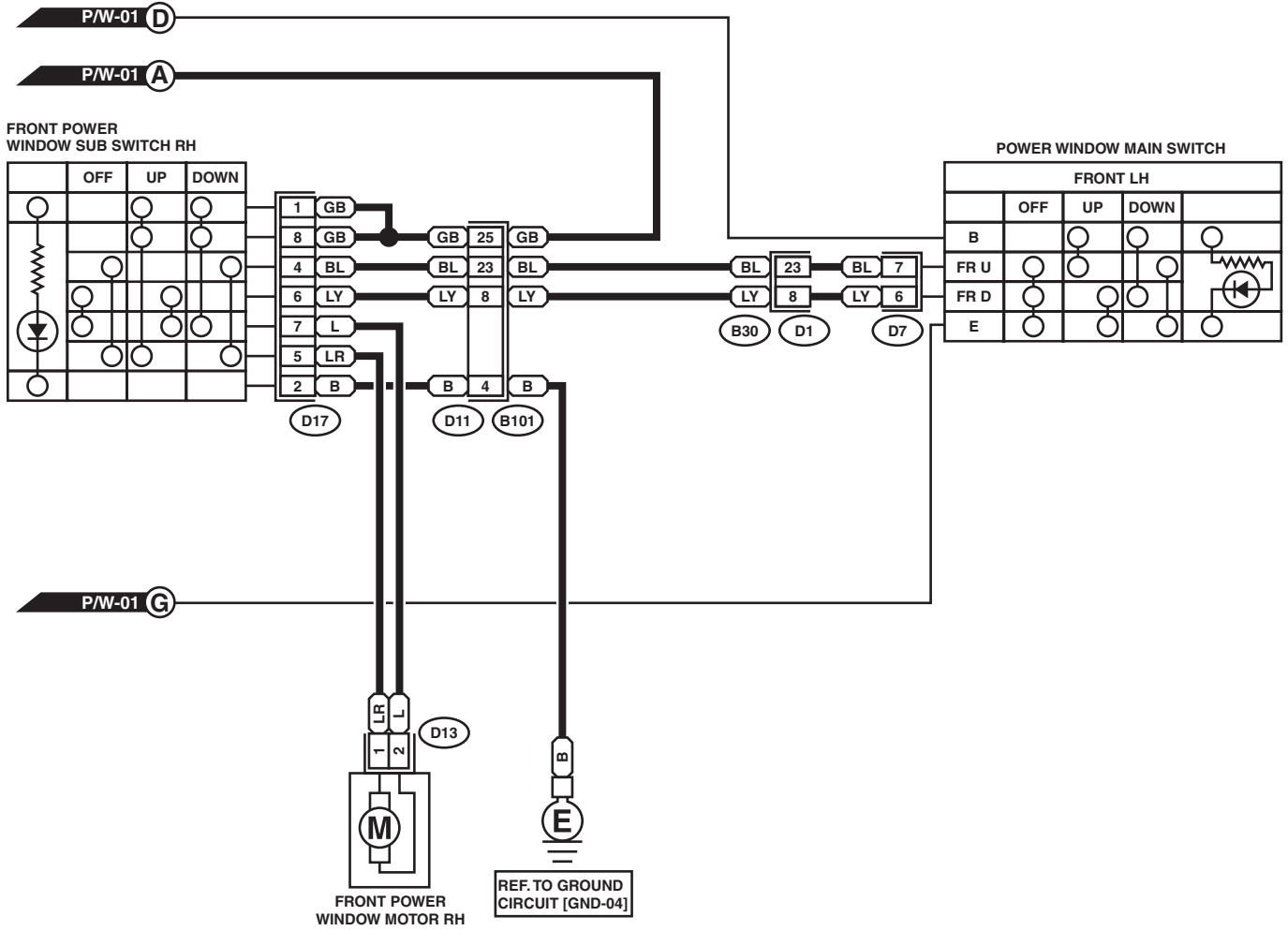
WI-08471

Power Window System

WIRING SYSTEM

P/W-02

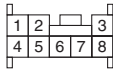
P/W-02



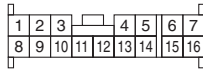
D13 (GREEN)



D17



D7



D1

D11



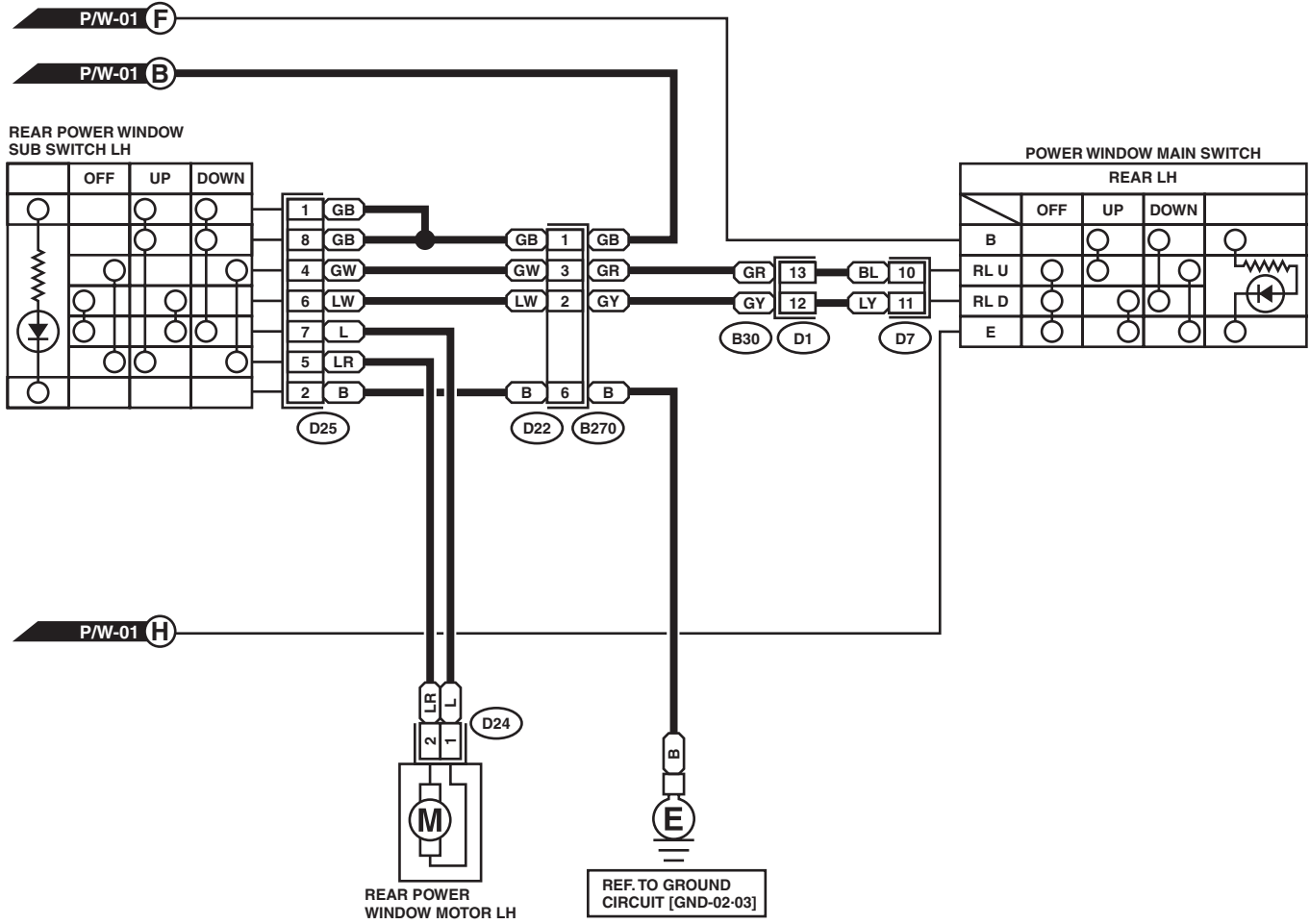
WI-08472

Power Window System

WIRING SYSTEM

P/W-03

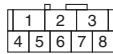
P/W-03



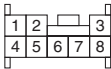
D24 (GREEN)



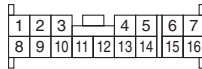
D22



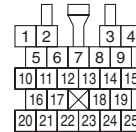
D25



D7



D1



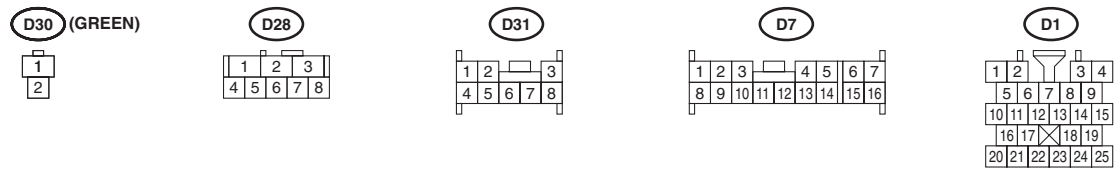
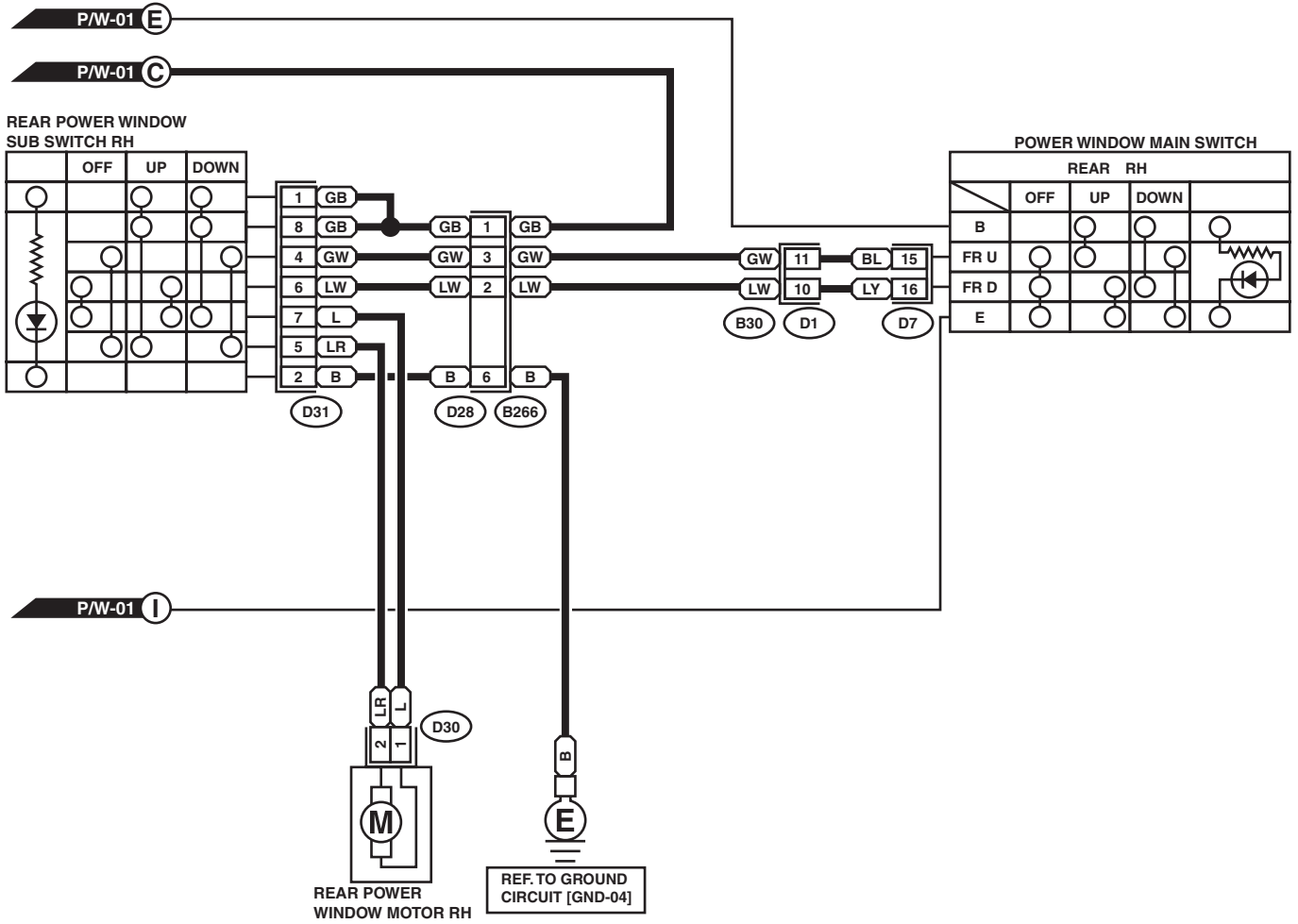
WI-08429

Power Window System

WIRING SYSTEM

P/W-04

P/W-04



WI-08313