

# Parking Brake/Brake Fluid Level Warning Light System

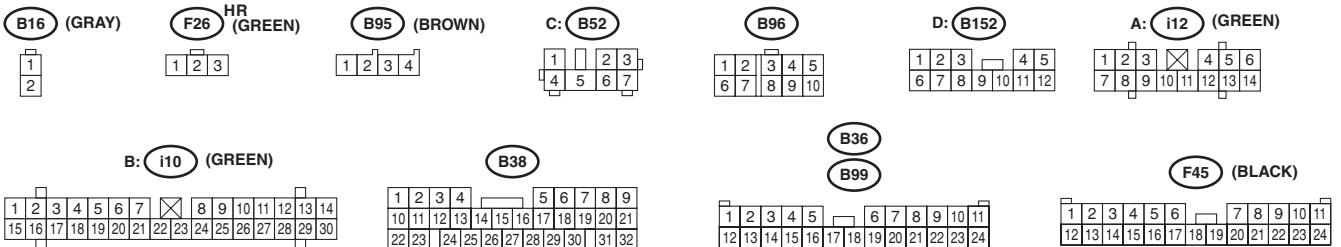
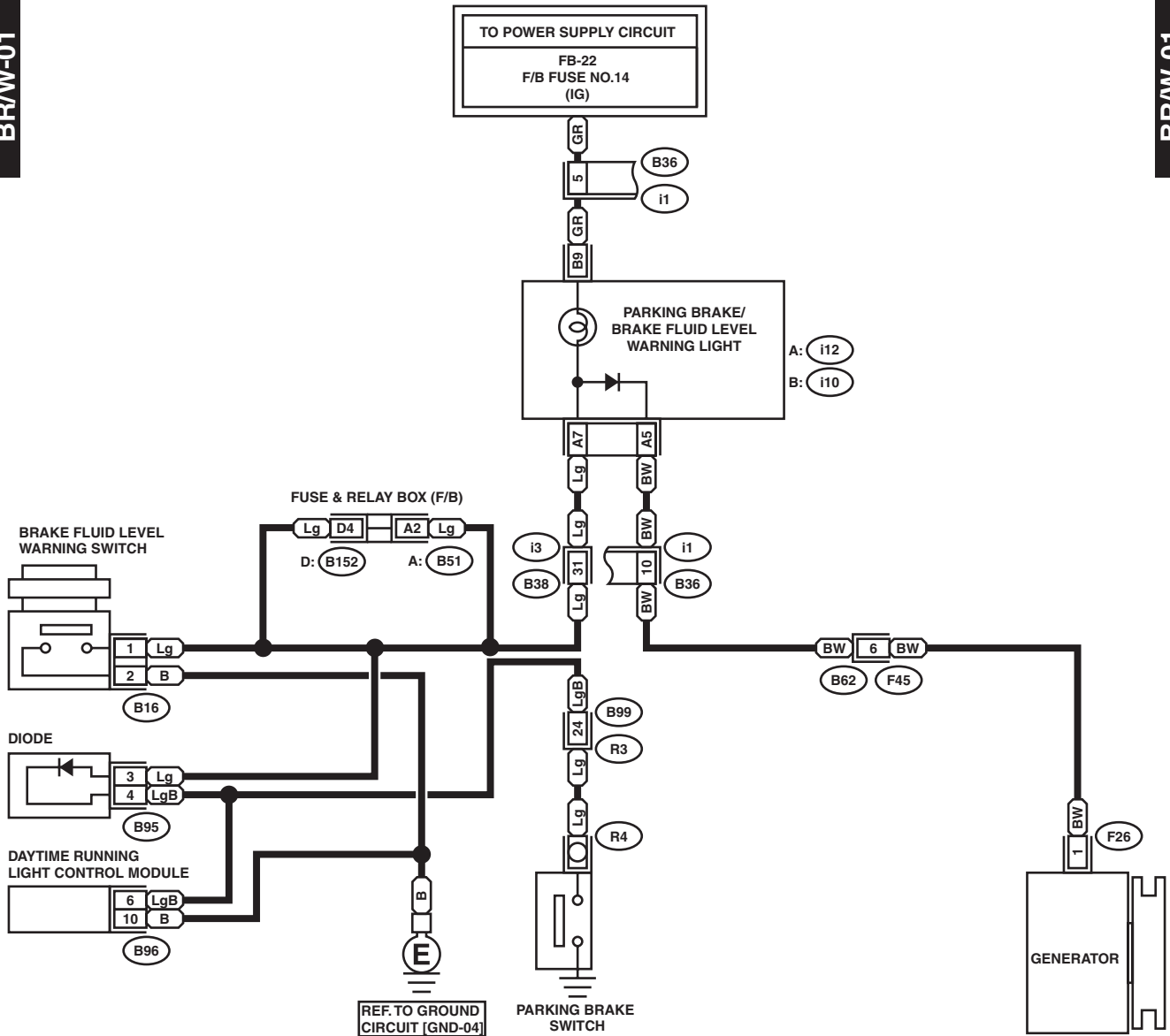
WIRING SYSTEM

## 46. Parking Brake/Brake Fluid Level Warning Light System

### A: WIRING DIAGRAM

BR/W-01

BR/W-01



WI-11655