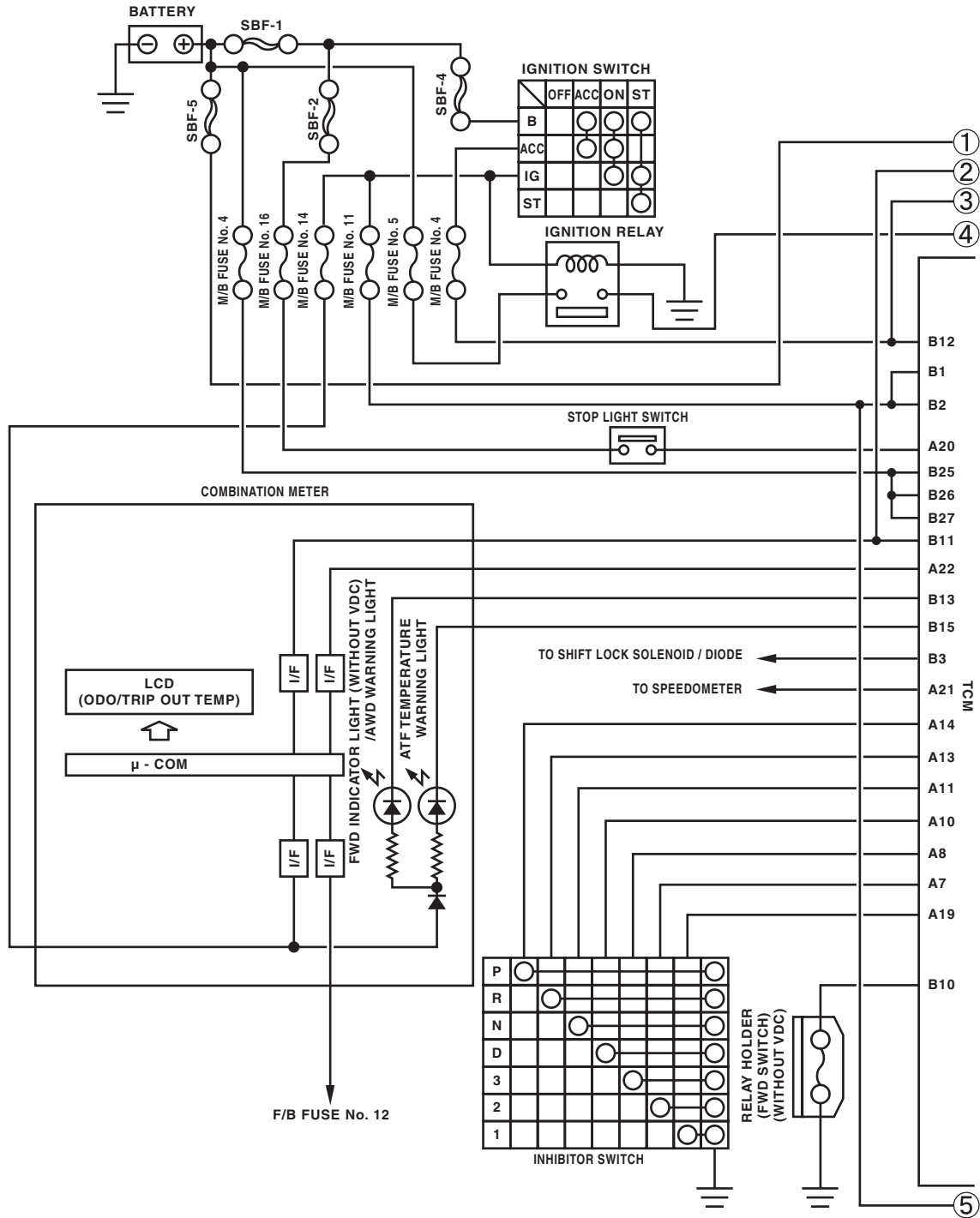


AT Control System

WIRING SYSTEM

6. AT Control System

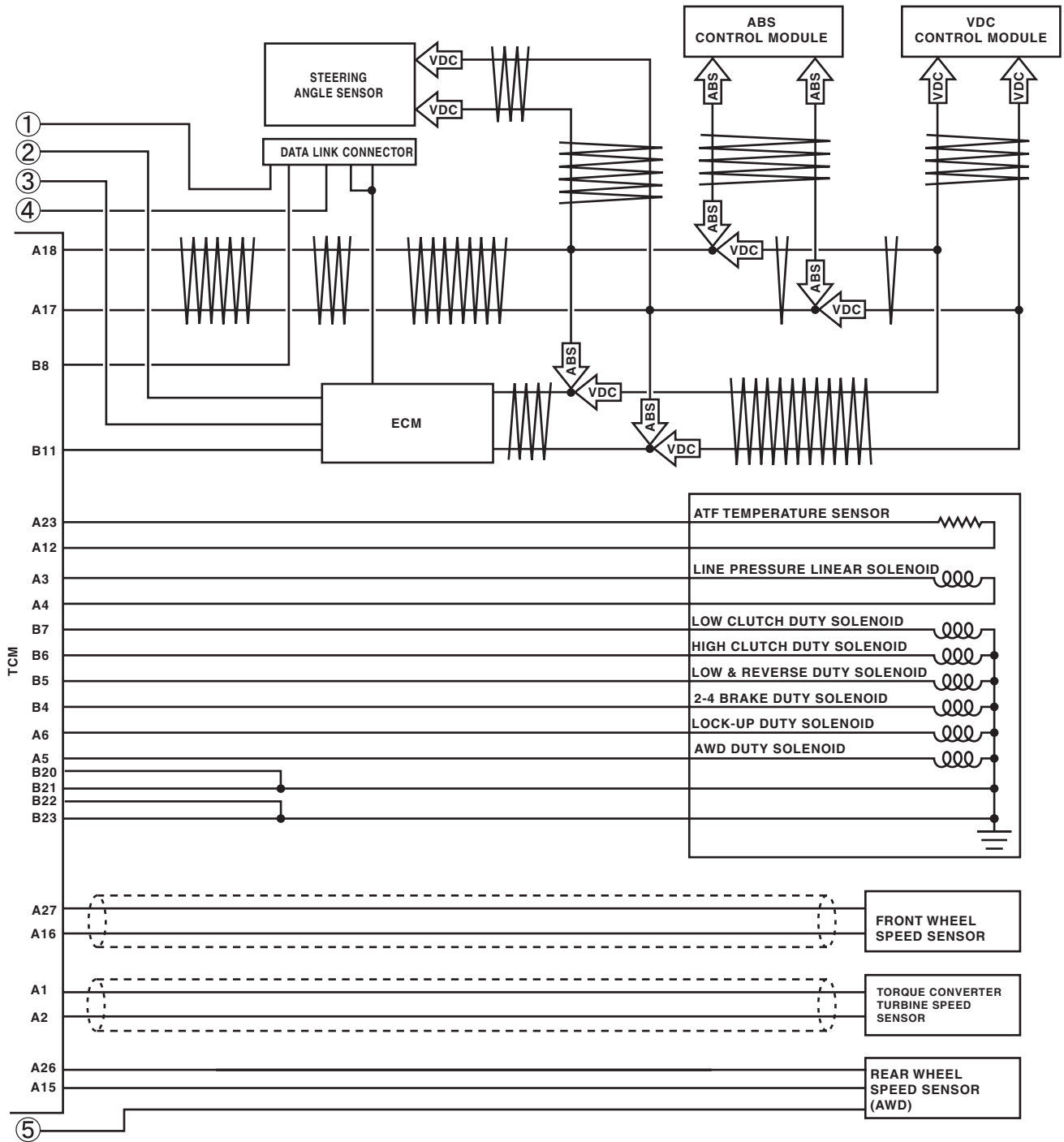
A: WIRING DIAGRAM



WI-08371A

AT Control System

WIRING SYSTEM



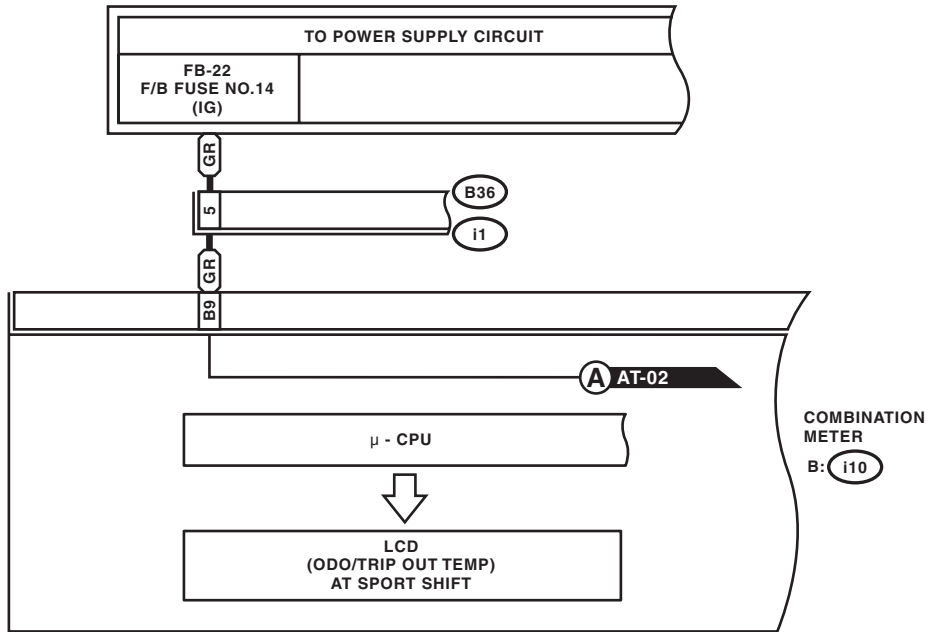
WI-12357

AT Control System

WIRING SYSTEM

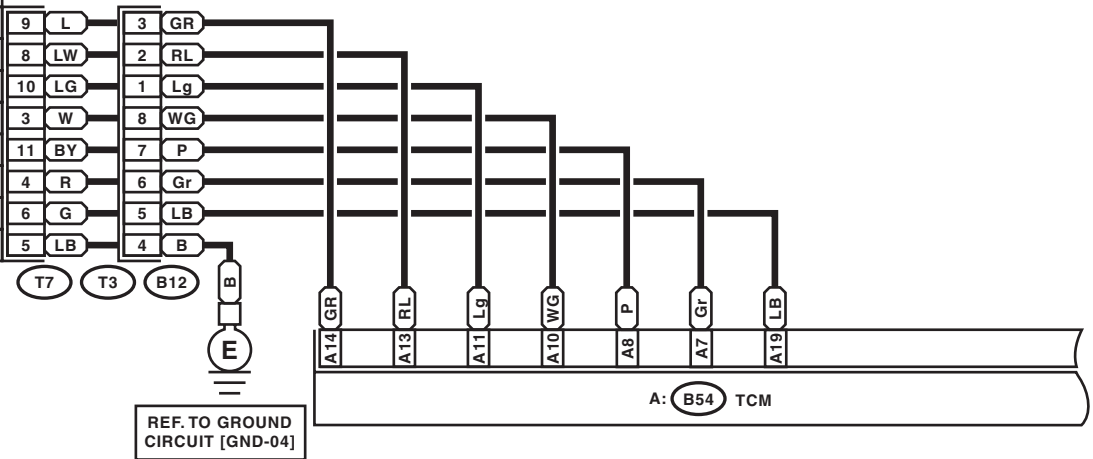
AT-01

AT-01

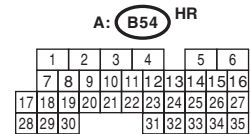
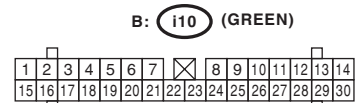
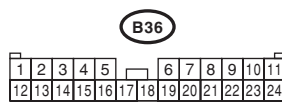
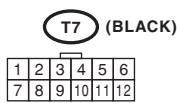


INHIBITOR SWITCH

P	R	N	D	3	2	1
<input type="checkbox"/>	<input type="checkbox"/>	<input type="checkbox"/>	<input type="checkbox"/>	<input type="checkbox"/>	<input type="checkbox"/>	<input type="checkbox"/>
<input type="checkbox"/>	<input type="checkbox"/>	<input type="checkbox"/>	<input type="checkbox"/>	<input type="checkbox"/>	<input type="checkbox"/>	<input type="checkbox"/>
<input type="checkbox"/>	<input type="checkbox"/>	<input type="checkbox"/>	<input type="checkbox"/>	<input type="checkbox"/>	<input type="checkbox"/>	<input type="checkbox"/>
<input type="checkbox"/>	<input type="checkbox"/>	<input type="checkbox"/>	<input type="checkbox"/>	<input type="checkbox"/>	<input type="checkbox"/>	<input type="checkbox"/>
<input type="checkbox"/>	<input type="checkbox"/>	<input type="checkbox"/>	<input type="checkbox"/>	<input type="checkbox"/>	<input type="checkbox"/>	<input type="checkbox"/>
<input type="checkbox"/>	<input type="checkbox"/>	<input type="checkbox"/>	<input type="checkbox"/>	<input type="checkbox"/>	<input type="checkbox"/>	<input type="checkbox"/>
<input type="checkbox"/>	<input type="checkbox"/>	<input type="checkbox"/>	<input type="checkbox"/>	<input type="checkbox"/>	<input type="checkbox"/>	<input type="checkbox"/>
<input type="checkbox"/>	<input type="checkbox"/>	<input type="checkbox"/>	<input type="checkbox"/>	<input type="checkbox"/>	<input type="checkbox"/>	<input type="checkbox"/>
<input type="checkbox"/>	<input type="checkbox"/>	<input type="checkbox"/>	<input type="checkbox"/>	<input type="checkbox"/>	<input type="checkbox"/>	<input type="checkbox"/>



REF. TO GROUND CIRCUIT [GND-04]



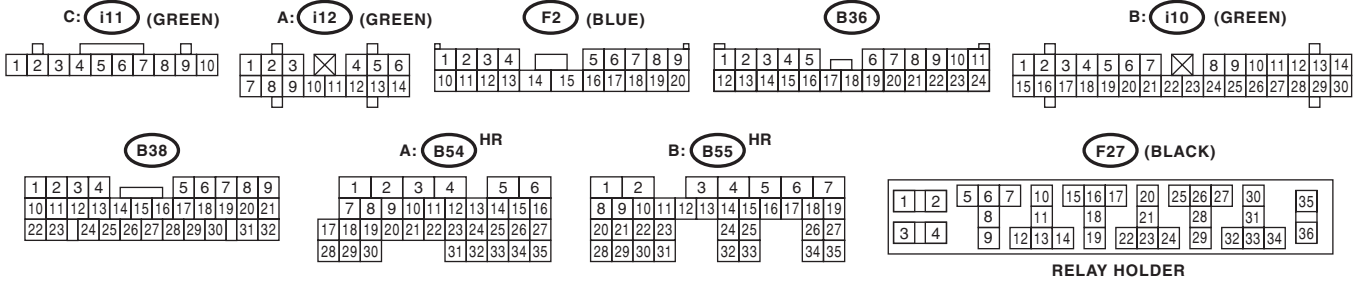
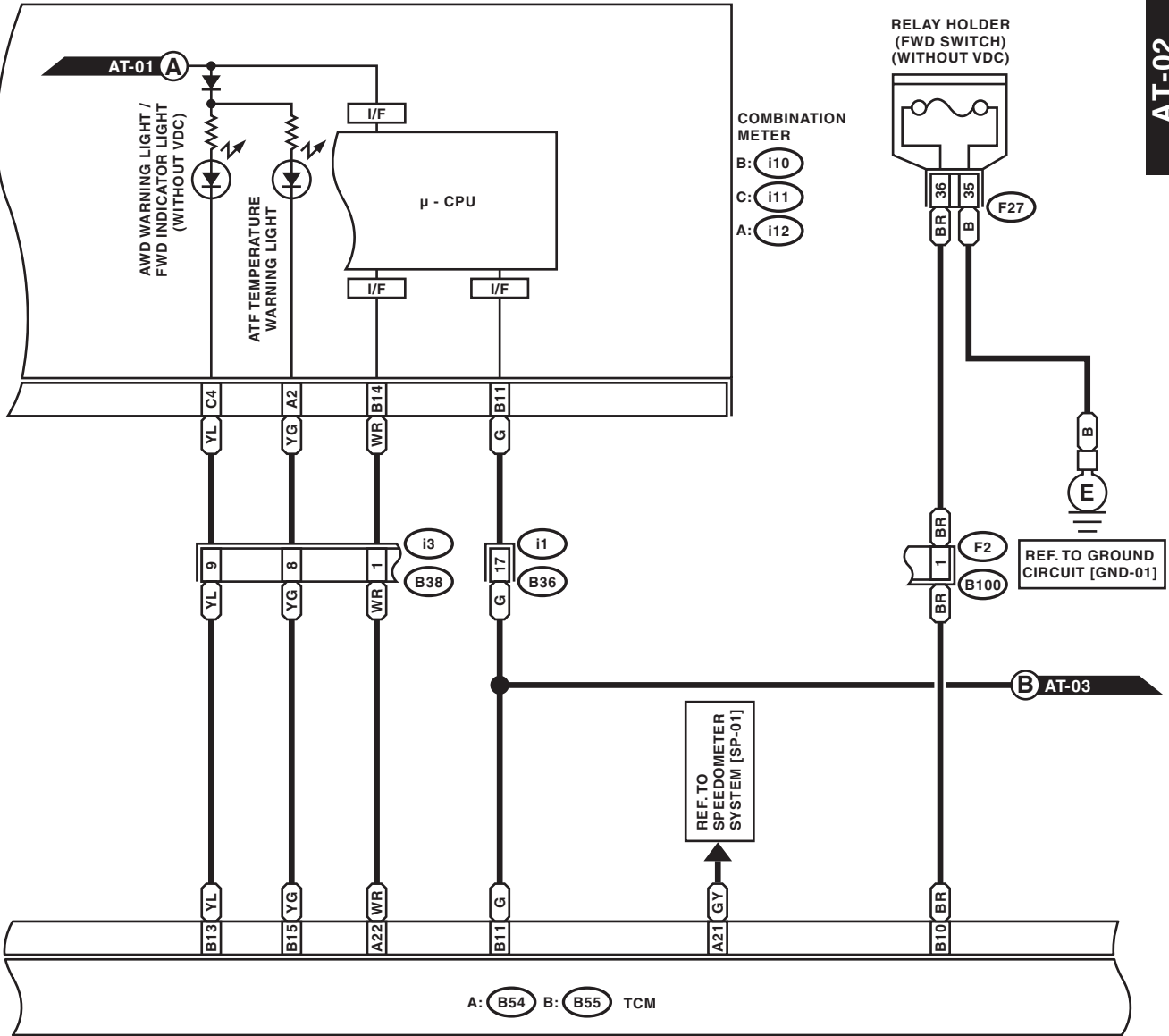
WI-11611

AT Control System

WIRING SYSTEM

AT-02

AT-02

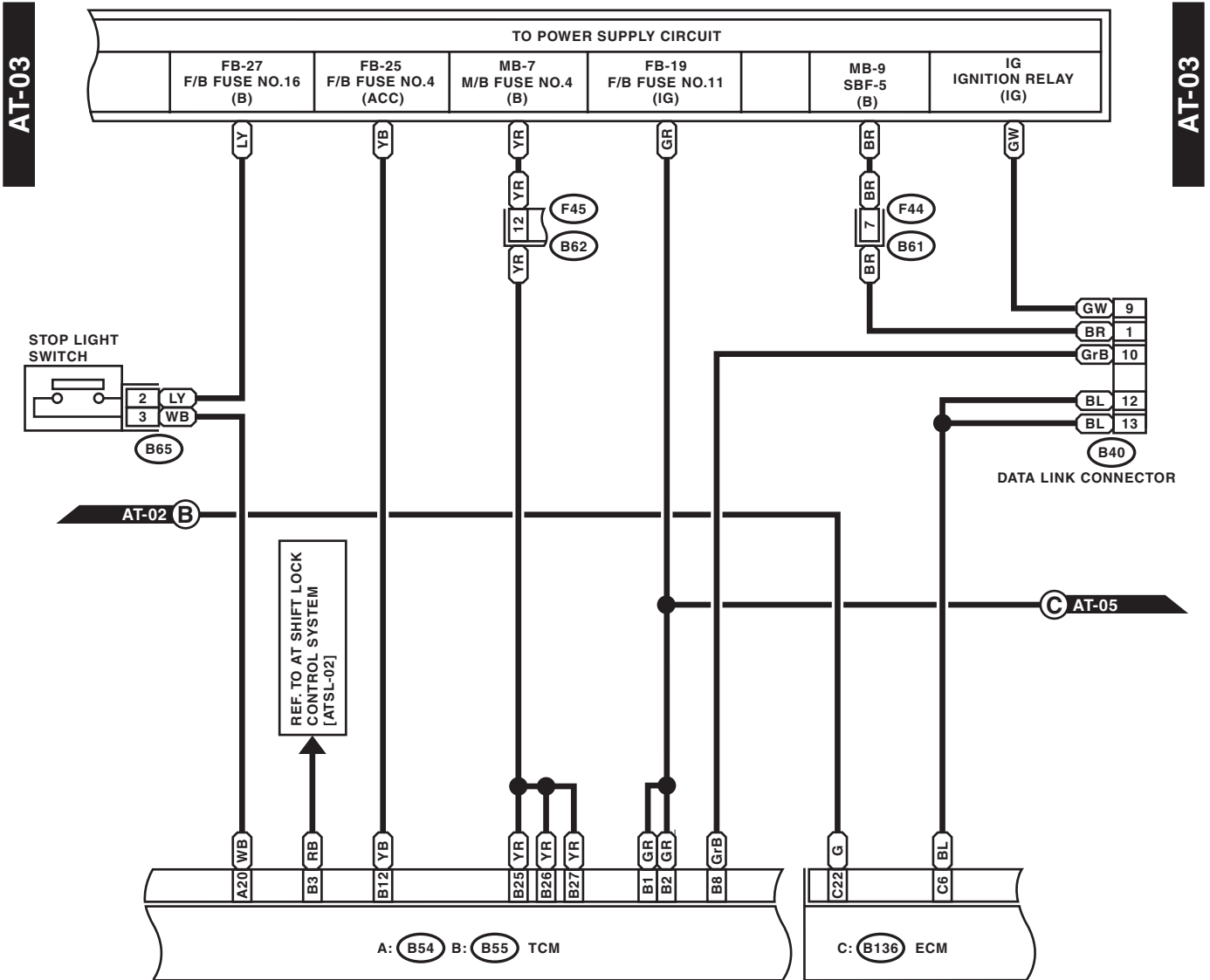


RELAY HOLDER

WI-11612

AT Control System

WIRING SYSTEM



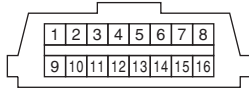
B65 (BLACK)



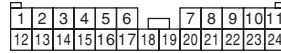
F44 (BLACK)



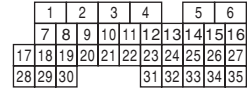
B40 (BLACK)



F45 (BLACK)

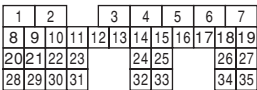


A: B54 HR



B: B55 HR

C: B136 HR



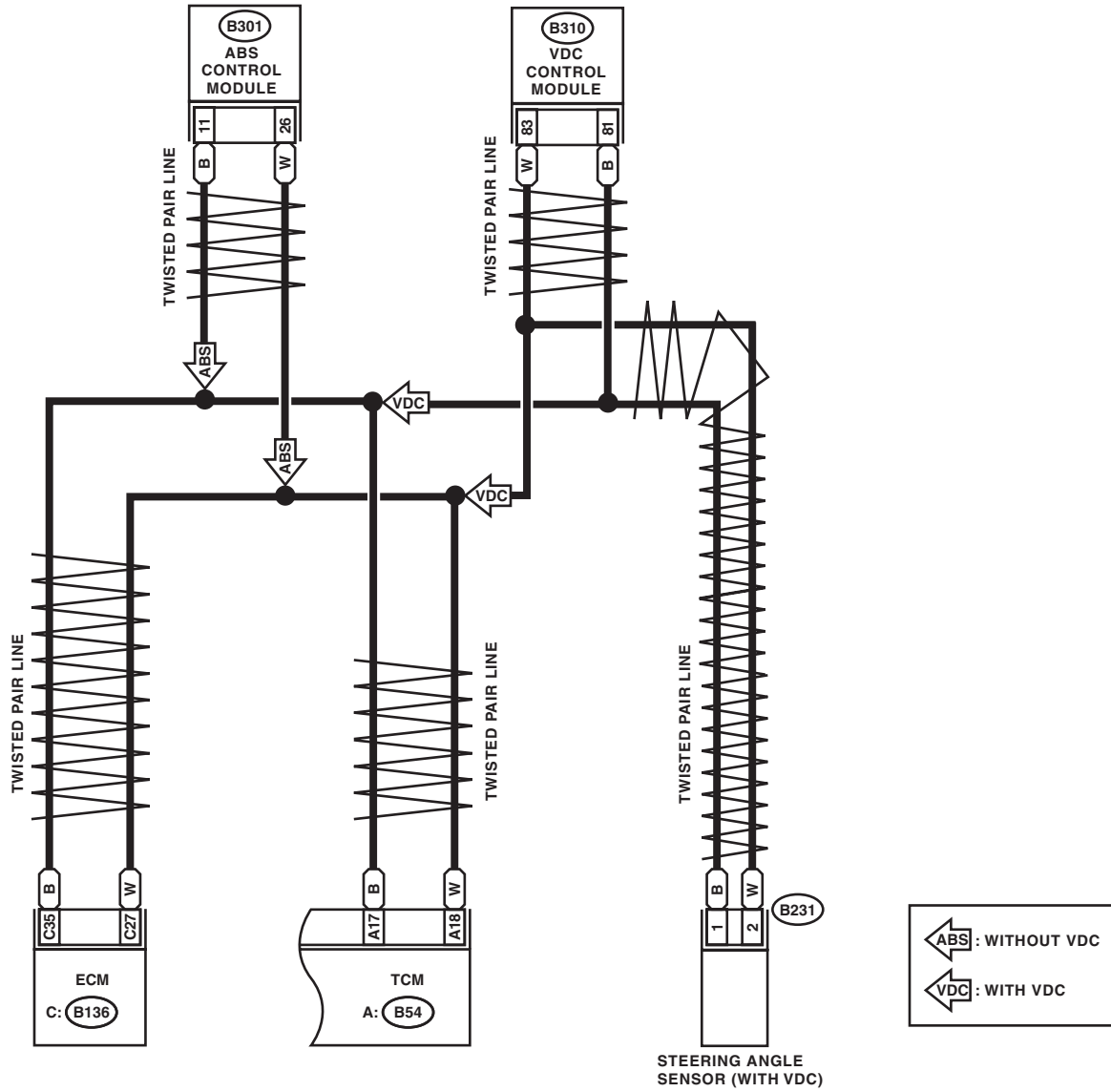
WI-11613

AT Control System

WIRING SYSTEM

AT-04

AT-04



(B231)

1	2	3	4
---	---	---	---

(B301) (BLACK)

12	13	14	15	1	2	3	4	5	6	7	8	9	10	11
				16	17	18	19	20	21	22	23	24	25	26

(B310) (BLACK)

1	2	3	4	5	6	7	8	9	10	11	12	13	14	15	16	17	18	19	20	21	22	23	24	25	26	27	28		
29	30	31	32	33	34	35	36	37	38	39	40	41	42	43	44	45	46	47	48	49	50	51	52	53	54	55			
56	57	58	59	60	61	62	63	64	65	66	67	68	69	70	71	72	73	74	75	76	77	78	79	80	81	82	83		

A: (B54) HR

C: (B136) HR

1	2	3	4	5	6					
7	8	9	10	11	12	13	14	15	16	
17	18	19	20	21	22	23	24	25	26	27
28	29	30				31	32	33	34	35

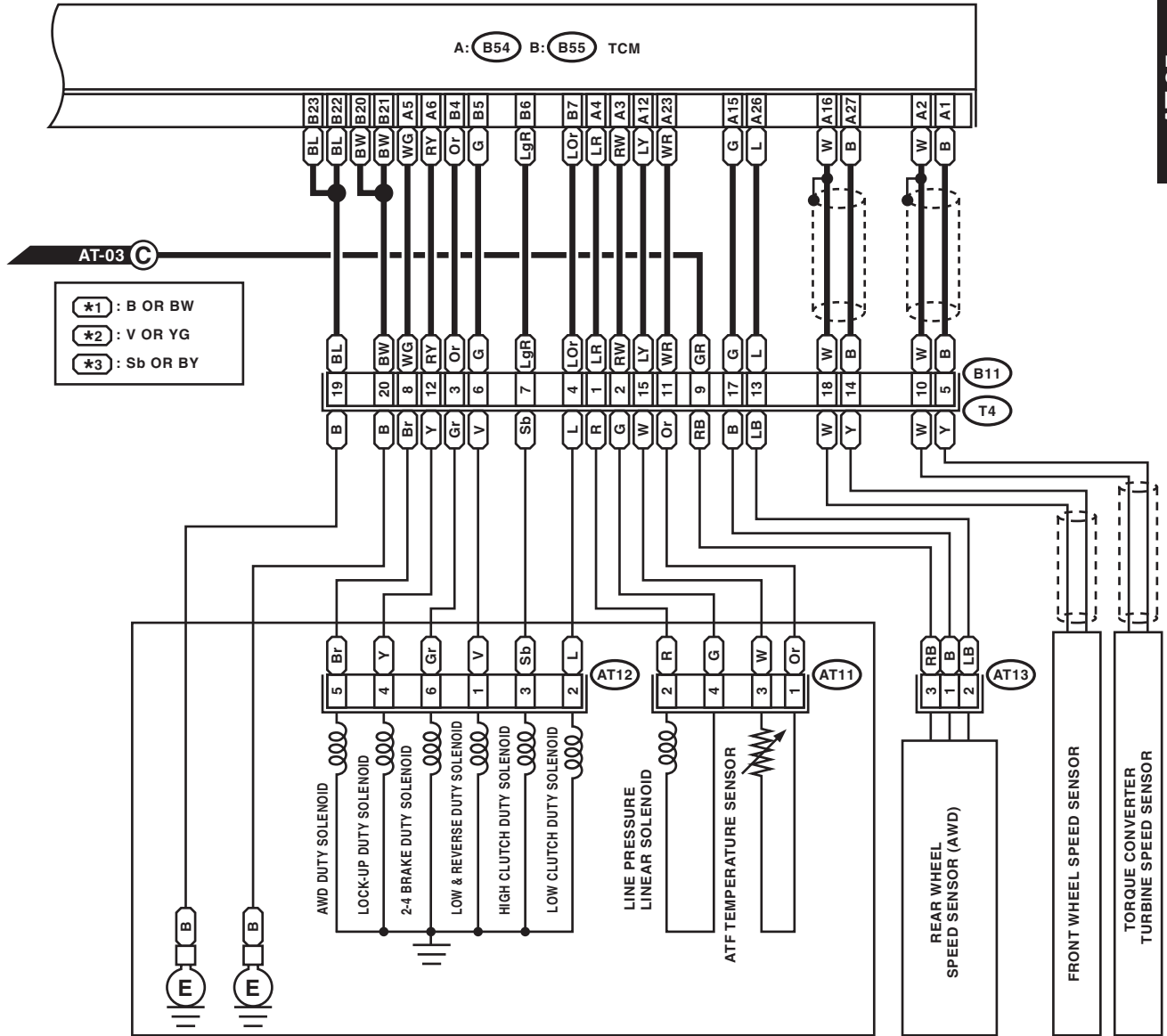
WI-11614

AT Control System

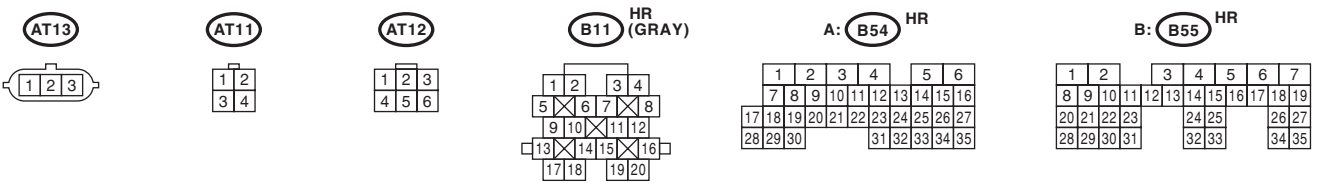
WIRING SYSTEM

AT-05

AT-05



- AT-03 C
- *1 : B OR BW
 - *2 : V OR YG
 - *3 : Sb OR BY



WI-11615