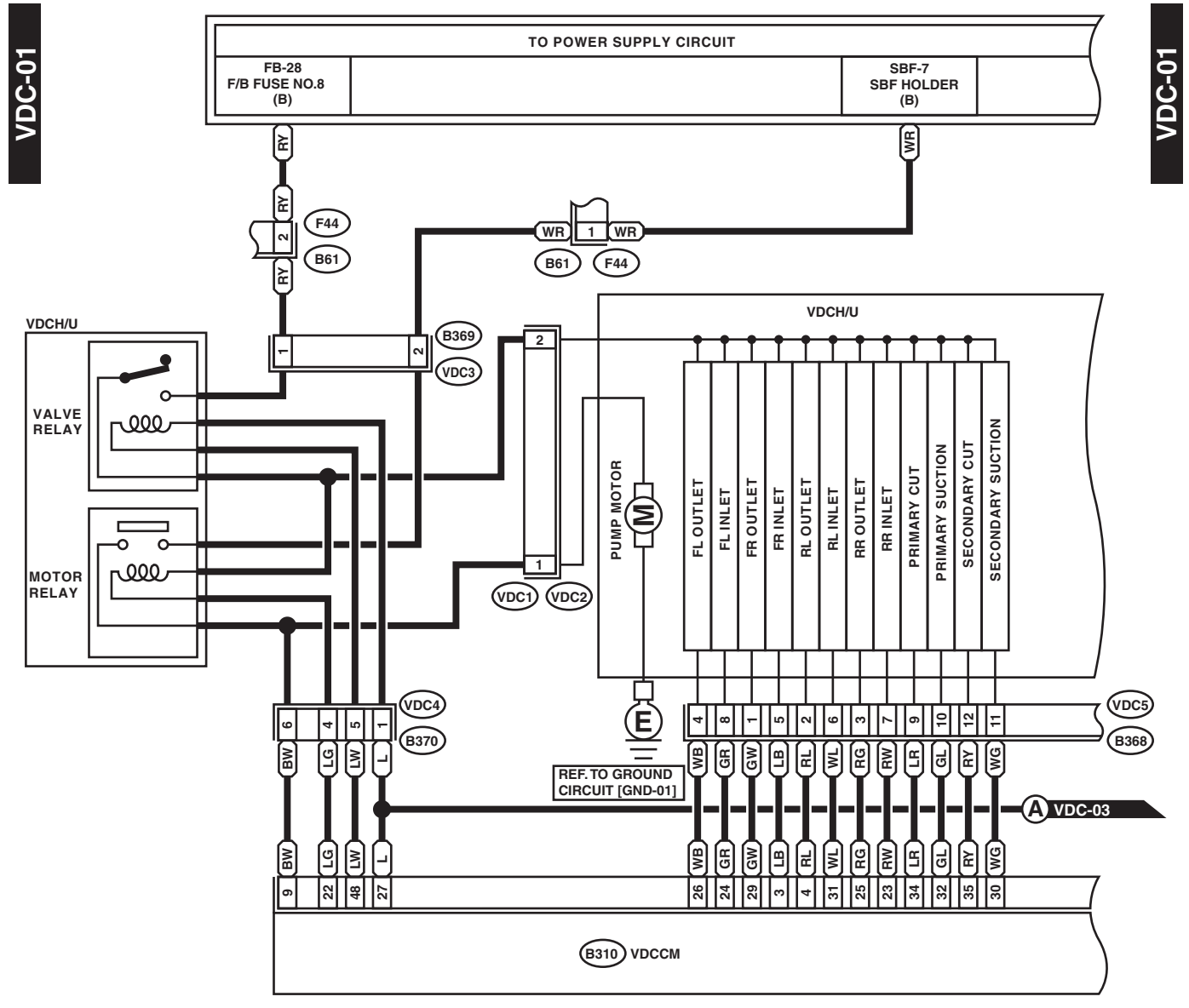


9. Vehicle Dynamics Control System

A: WIRING DIAGRAM

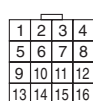


B369 (GRAY)

B370 (BLACK)

F44 (BLACK)

VDC5 (BLACK)

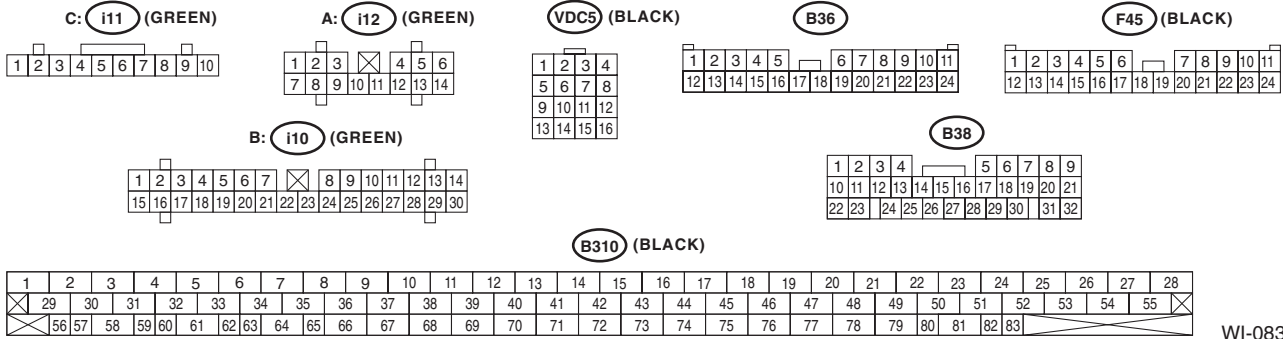
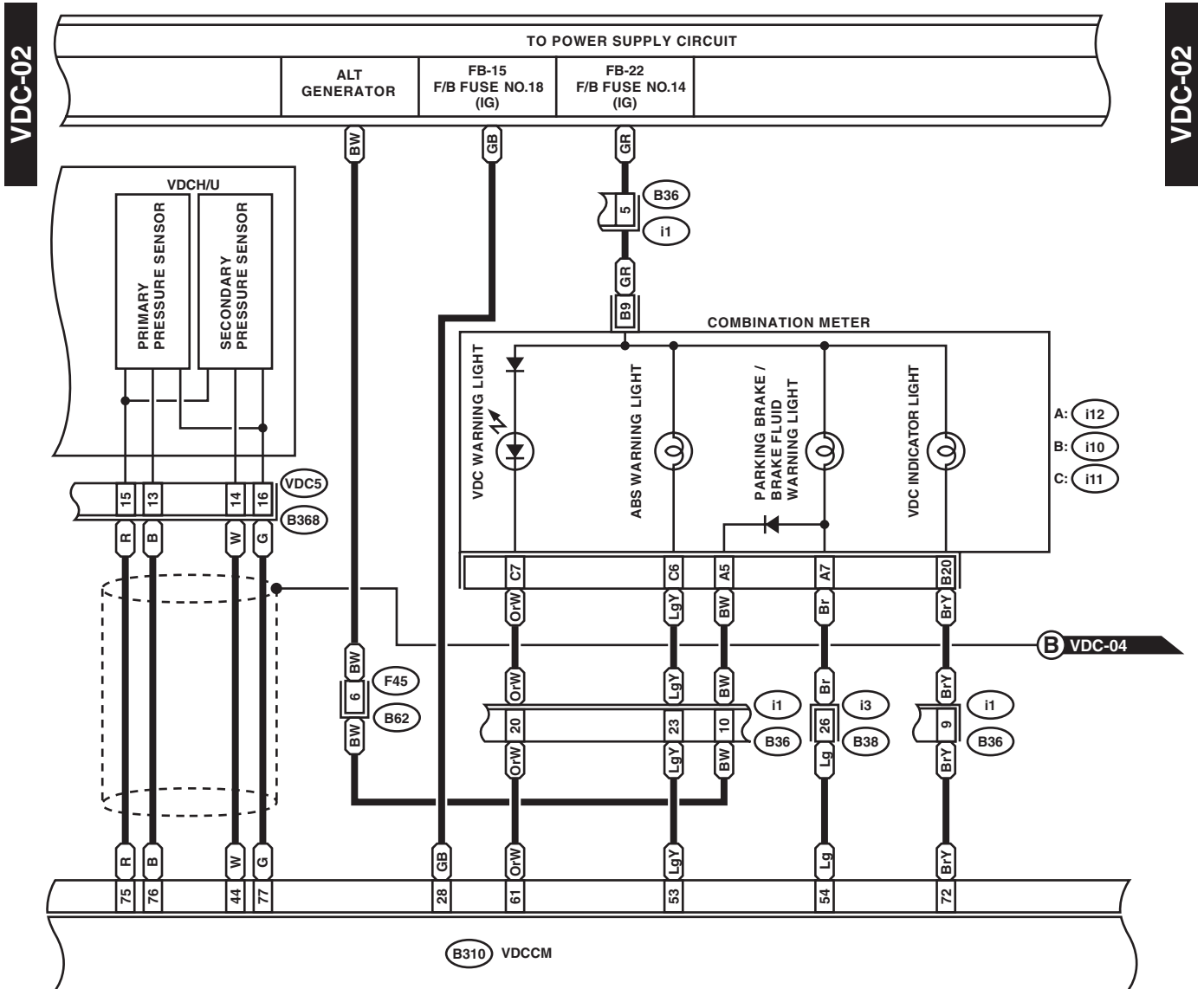


B310 (BLACK)

1	2	3	4	5	6	7	8	9	10	11	12	13	14	15	16	17	18	19	20	21	22	23	24	25	26	27	28
29	30	31	32	33	34	35	36	37	38	39	40	41	42	43	44	45	46	47	48	49	50	51	52	53	54	55	
56	57	58	59	60	61	62	63	64	65	66	67	68	69	70	71	72	73	74	75	76	77	78	79	80	81	82	83

Vehicle Dynamics Control System

WIRING SYSTEM



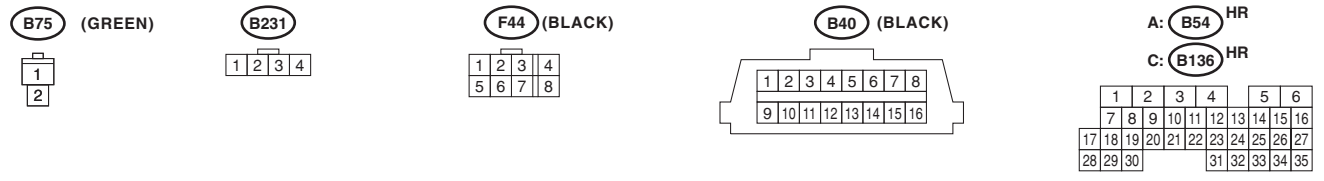
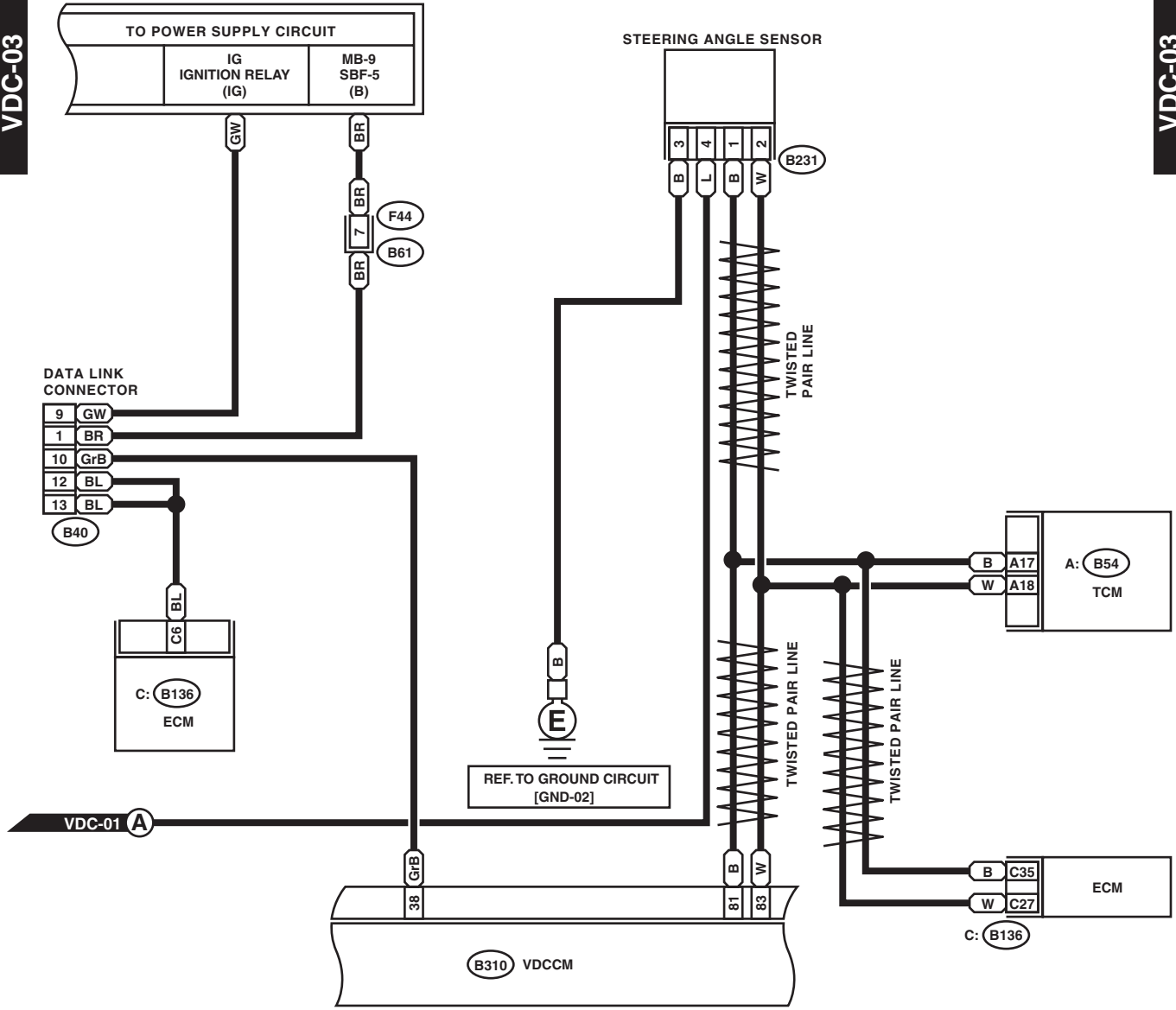
WI-08384

Vehicle Dynamics Control System

WIRING SYSTEM

VDC-03

VDC-03



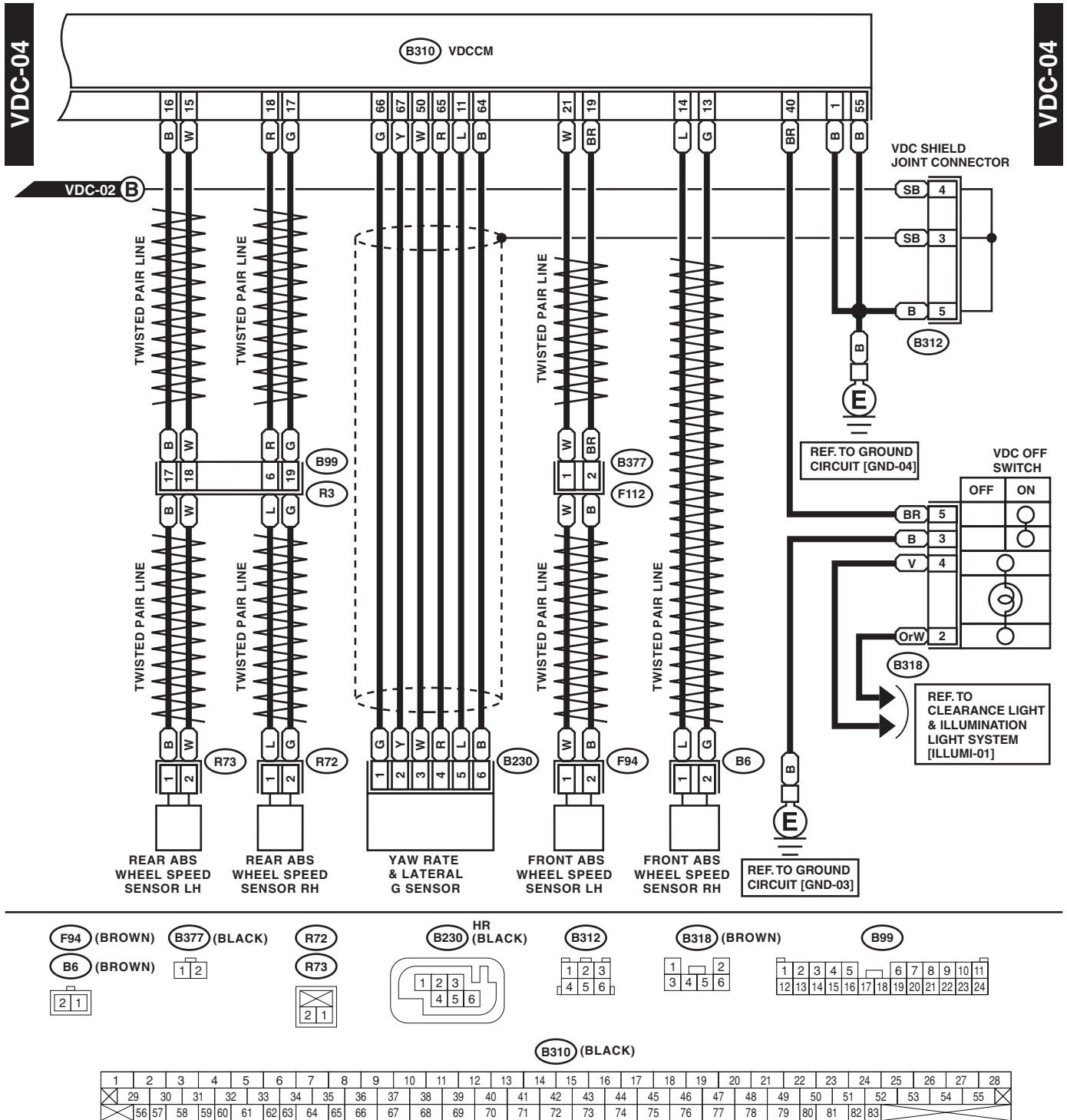
B310 (BLACK)

1	2	3	4	5	6	7	8	9	10	11	12	13	14	15	16	17	18	19	20	21	22	23	24	25	26	27	28
29	30	31	32	33	34	35	36	37	38	39	40	41	42	43	44	45	46	47	48	49	50	51	52	53	54	55	
56	57	58	59	60	61	62	63	64	65	66	67	68	69	70	71	72	73	74	75	76	77	78	79	80	81	82	83

WI-11621

Vehicle Dynamics Control System

WIRING SYSTEM



WI-11622