

3. Inspection Locations After a Collision

A: REPLACEMENT

Replace the following parts when the airbag is deployed.

1. FRONT COLLISION

- 1) Driver's airbag module
- 2) Passenger's airbag module
- 3) Driver's seat belt (Pretensioner)
- 4) Passenger's seat belt (Pretensioner)
- 5) Airbag control module
- 6) Front sub sensor
- 7) Roll connector
- 8) Occupant detection system and seat cushion pad

2. SIDE COLLISION

- 1) Airbag control module
- 2) Side airbag module (operating side seat back)
- 3) Side airbag sensor (Operating side)

3. INSPECTION OF OTHER PARTS

Check for the following parts, and replace the damaged parts with new parts.

- 1) Steering wheel and steering shaft

Check the steering shaft for mounting conditions and deflection of front and rear, upward and downward directions, and deflection of front and rear direction with tilt lever released. (After a collision, absorbing part of steering shaft may have been operated.)

2) Check the connector of airbag module, pretensioner, etc. for damage, and also check each harness for pinch and connector damage. Replace the harness as a unit if damage is found.

3) Check the seat cushion frame, backrest, seat rail and headrest for deformation, distortion, crack, and installing condition and play.

4) If deformation or cracks are seen in the seat cushion frame of the passenger's seat, replace the occupant detection system.

5) If there are tears or loosening in the passenger's seat cushion cover, it may interfere with the proper operation of the occupant detection system. Replace with a new cushion cover.

6) If the seat cushion cover is removed or replaced, make sure to perform occupant detection system adjustment after installing the seat. <Ref. to OD(diag)-17, SYSTEM CALIBRATION (REZEROING), OPERATION, Subaru Select Monitor.>

Failure to do so may cause improper activation of passenger's airbag.

7) Use the Subaru Select Monitor to check whether the driver's seat position sensor and the front left/right seat belt buckle switches are operating normally.

B: INSPECTION

If the vehicle is involved in a collision on any side, even if it is a slight collision, be sure to check the following systems.

1. DRIVER'S AIRBAG MODULE

1) Check for the following, and replace the damaged parts with new parts.

- Airbag module is cracked or deformed.
- Harness and/or connector is cracked, deformed or open. Harness wire is exposed.
- The module surface is fouled with grease, oil, water or cleaning solvent.

2) When installing a new driver's airbag module, check the following. If necessary, install a new airbag module and steering wheel.

- The steering wheel is in the way, making it difficult to install the airbag module.
- The clearance between the driver's airbag module and steering wheel is not constant.
- When steering wheel deformation in axial and vertical directions exceed limits.

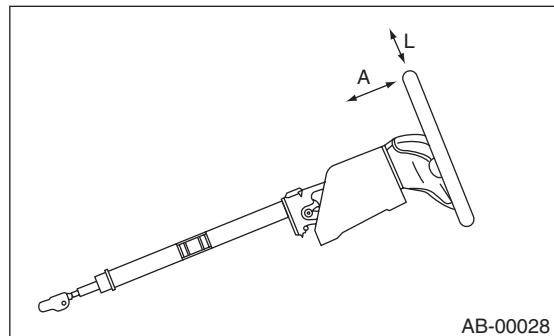
Specification:

Axial deflection A

Less than 6 mm (0.24 in)

Vertical deflection L

Less than 17 mm (0.67 in)



2. PASSENGER'S AIRBAG MODULE

Check for the following, and replace the damaged parts with new parts.

- Airbag module is cracked or deformed.
- Harness and/or connector is cracked, deformed or open. Harness wire is exposed.
- Mounting bracket is cracked or deformed.

Inspection Locations After a Collision

AIRBAG SYSTEM

3. SIDE AIRBAG MODULE

Check for the following, and replace the damaged parts with new parts.

- Front seat is damaged or deformed.
- Harness and/or connector is cracked, deformed or open.
- Harness wire is exposed.

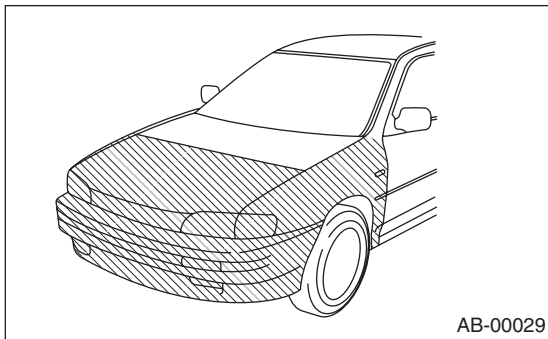
4. AIRBAG CONTROL MODULE

Check for the following, and replace the damaged parts with new parts.

- Control unit is cracked or deformed.
- Mounting bracket is cracked or deformed.
- Connector is scratched or deformed.
- Airbag is deployed.
- Side airbag is deployed.

5. FRONT SUB SENSOR

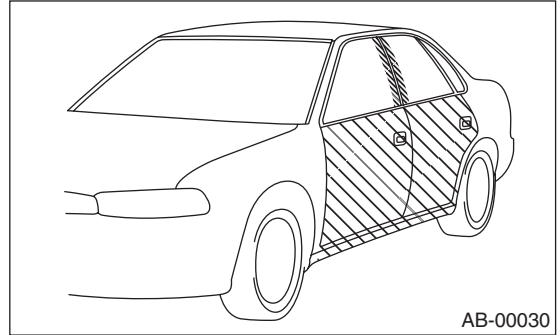
If the section of vehicle as shown in the figure is damaged, check the following items and replace the damaged parts with new parts.



- Front sub sensor is cracked or deformed.
- Mounting bracket is cracked or deformed.
- Connector is scratched or cracked.
- Airbag is deployed.

6. SIDE AIRBAG SENSOR

If the section of vehicle as shown in the figure is damaged, check the following items and replace the damaged parts with new parts.



- Side airbag sensor is cracked or deformed.
- Mounting bracket is cracked or deformed.
- Connector is scratched or cracked.
- Side airbag is deployed. (operating side)

7. ROLL CONNECTOR

Check for the following, and replace the damaged parts with new parts.

- Combination switch or steering roll connector is cracked or deformed.

8. STEERING SHAFT

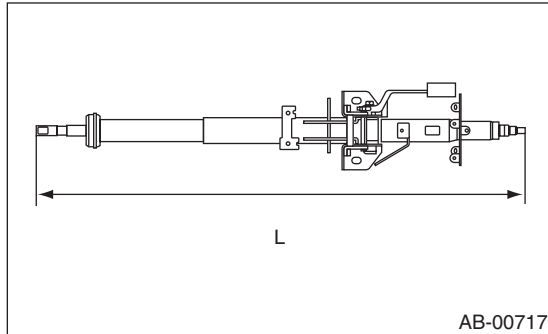
Check for the following, and replace the damaged parts with new parts.

- Overall length of steering column should be within specification.

Specification:

Overall length L

808.6±1.5 mm (31.83±0.06 in)



If necessary, replace it with new part.

9. DRIVER'S SEAT

Check for the following, and replace the damaged parts with new parts.

- Seat belt buckle switch or seat position sensor body/bracket is cracked or deformed.
- Harness and/or connector is cracked, deformed or open. Harness wire is exposed.

10.PASSENGER'S SEAT

1) Check for the following, and replace the damaged parts with new parts.

- Seat belt buckle body/bracket is scratched, cracked or deformed.
- Backrest frame for crack or deformation
- Headrest for deformation or play
- If the seat cushion cover and seat back cover is scratched or frayed, replace with a new cover and readjust the system. <Ref. to OD(diag)-17, SYSTEM CALIBRATION (REZEROING), OPERATION, Subaru Select Monitor.>

CAUTION:

If any of the following applies, replace the seat cushion pad and frame assembly. Do not disassemble.

- Cracks or deformation is found in the seat cushion frame or seat cushion pad.
- Scratches, cracks, or deformation is found on the occupant detection system pressure sensor hoses, occupant detection control module, or attachment brackets of the control module.
- Harness and/or connector is cracked, deformed or open. Harness wire is exposed.

2) After checking the installing condition of passenger's seat, perform the system calibration of occupant detection system. <Ref. to OD(diag)-17, SYSTEM CALIBRATION (REZEROING), OPERATION, Subaru Select Monitor.>

11.BELT TENSION SENSOR

Check for the following, and replace the damaged parts with new parts.

- Belt tension sensor is scratched, cracked, or deformed.
- Harness and/or connector is cracked, deformed or open. Harness wire is exposed.