

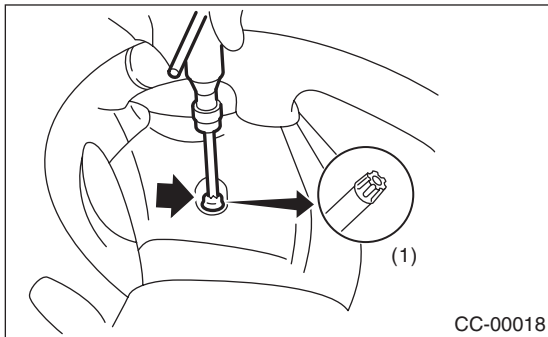
## 4. Driver's Airbag Module

### A: REMOVAL

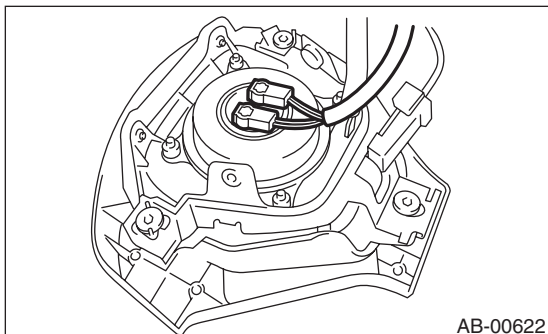
**CAUTION:**

Refer to "CAUTION" of "General Description" before handling the airbag module. <Ref. to AB-4, CAUTION, General Description.>

- 1) Position the front wheels straight ahead. (After moving a vehicle more than 5 m (16 ft) with front wheels positioned straight ahead, make sure that the vehicle moves straight ahead.)
- 2) Turn the ignition switch to OFF.
- 3) Disconnect the ground cable from battery and wait for at least 20 seconds before starting work.
- 4) Using TORX® bit T30 (1), remove the two TORX® bit bolts on the side of steering wheel.



- 5) Disconnect the horn harness.
- 6) Disconnect the airbag connector on the back of airbag module, and then remove the airbag module. <Ref. to AB-8, PROCEDURE, Airbag Connector.>



- 7) Refer to "CAUTION" for handling of a removed airbag module. <Ref. to AB-4, CAUTION, General Description.>

### B: INSTALLATION

**CAUTION:**

- Refer to "CAUTION" of "General Description" before handling the airbag module. <Ref. to AB-4, CAUTION, General Description.>
- To prevent the misconnection, the connector is colored. Connect the harness side connector to the same color of module side connector. Install in the reverse order of removal.

**CAUTION:**

Do not allow harness and connectors to interfere or get tangled up with other parts.

**Tightening torque:**

Refer to "COMPONENT" of "General Description". <Ref. to AB-2, SRS AIRBAG, COMPONENT, General Description.>

### C: INSPECTION

**CAUTION:**

Refer to "CAUTION" of "General Description" before handling the airbag module. <Ref. to AB-4, CAUTION, General Description.>

Check for the following, and replace the damaged parts with new parts.

- Airbag module, harness, connector and mounting bracket are damaged. <Ref. to AB-11, DRIVER'S AIRBAG MODULE, INSPECTION, Inspection Locations After a Collision.>