

4. Horn Switch

A: REMOVAL

WARNING:

Before servicing, be sure to read the notes in the AB section for proper handling of the driver's airbag module. <Ref. to AB-4, CAUTION, General Description.>

NOTE:

Horn switch is a unit with the driver's airbag module.

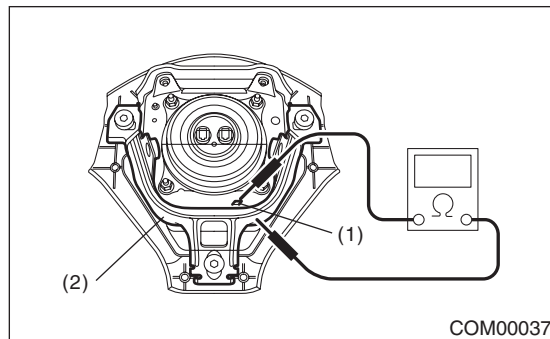
- 1) Disconnect the ground cable from the battery.
- 2) Remove the driver's airbag module. <Ref. to AB-14, REMOVAL, Driver's Airbag Module.>

B: INSTALLATION

Install in the reverse order of removal.

C: INSPECTION

Measure the resistance between horn switch terminal and airbag module bracket.



- (1) Horn switch terminal
 (2) Airbag module bracket

Switch position	Terminal No.	Resistance
When airbag module bracket is pushed	Horn switch terminal and airbag module bracket	Less than 1 Ω
When airbag module bracket is separated		1 M Ω or more

Horn Switch

COMMUNICATION SYSTEM

COM-6