

Rear Accessory Power Supply Socket

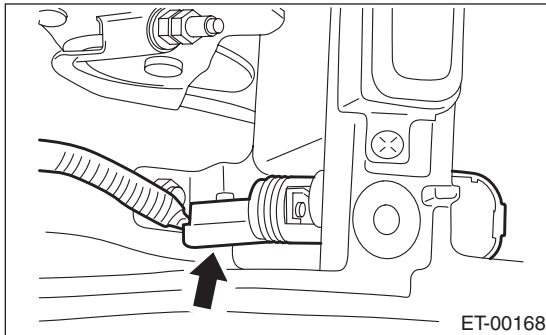
ENTERTAINMENT

13. Rear Accessory Power Supply Socket

A: REMOVAL

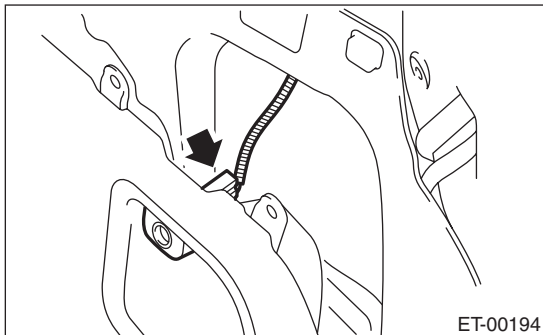
1. FRONT

- 1) Disconnect the ground cable from the battery.
- 2) Remove the console cover. <Ref. to EI-38, REMOVAL, Console Box.>
- 3) Disconnect the harness connector, and remove the accessory power supply socket.



2. REAR

- 1) Disconnect the ground cable from the battery.
- 2) Remove the rear quarter lower trim. <Ref. to EI-44, REMOVAL, Rear Quarter Trim.>
- 3) Disconnect the harness connector, and remove the accessory power supply socket.



B: INSTALLATION

Install in the reverse order of removal.