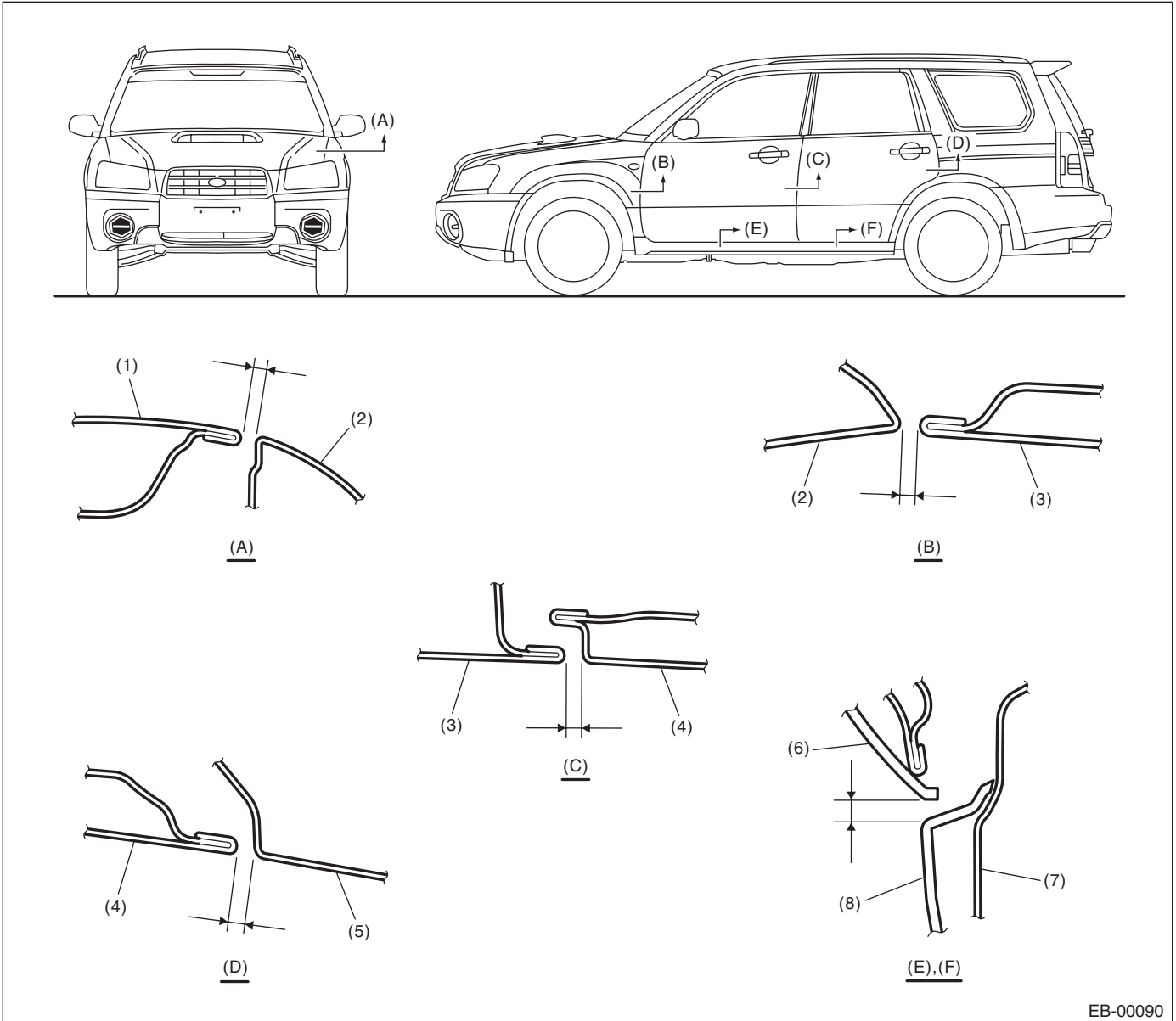


General Description

EXTERIOR BODY PANELS

1. General Description

A: SPECIFICATION



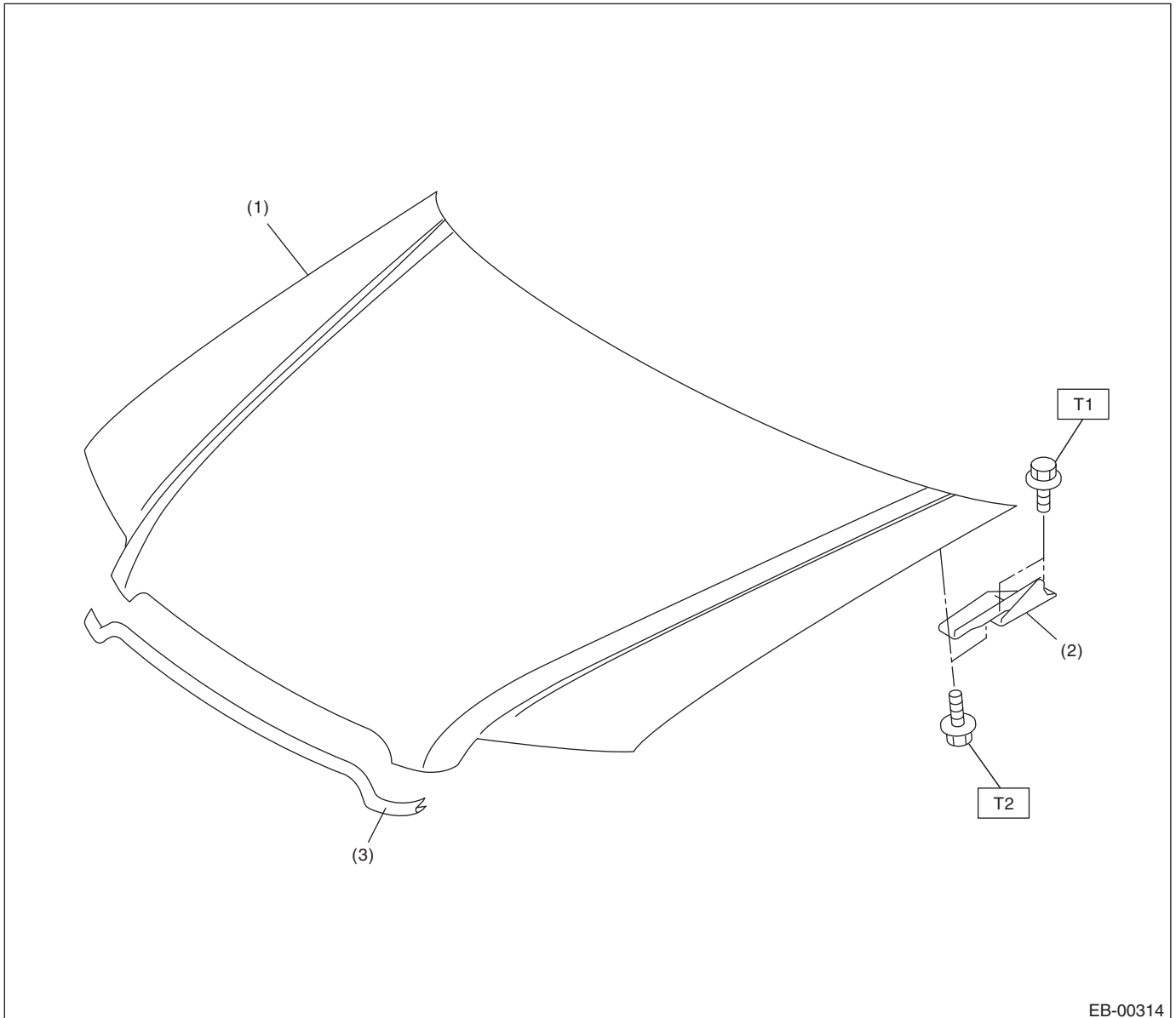
EB-00090

- | | | |
|------------------------|------------------------|-----------------------|
| (1) Front hood panel | (4) Rear door panel | (7) Side sill |
| (2) Front fender panel | (5) Rear quarter panel | (8) Side sill garnish |
| (3) Front door panel | (6) Door panel | |

Section	Part	Standard
(A)	Front hood panel to Front fender panel	3.5±1.0 mm (0.14±0.04 in)
(B)	Front fender panel to Front door panel	4.7±1.0 mm (0.19±0.04 in)
(C)	Front door panel to Rear door panel	5.1±1.0 mm (0.20±0.04 in)
(D)	Rear door panel to Rear quarter panel	4.6±1.0 mm (0.18±0.04 in)
(E), (F)	Door panel to Side sill	7.0±1.5 mm (0.28±0.06 in)

B: COMPONENT

1. FRONT HOOD



EB-00314

- (1) Front hood panel
- (2) Hinge
- (3) Seal

Tightening torque: N-m (kgf-m, ft-lb)

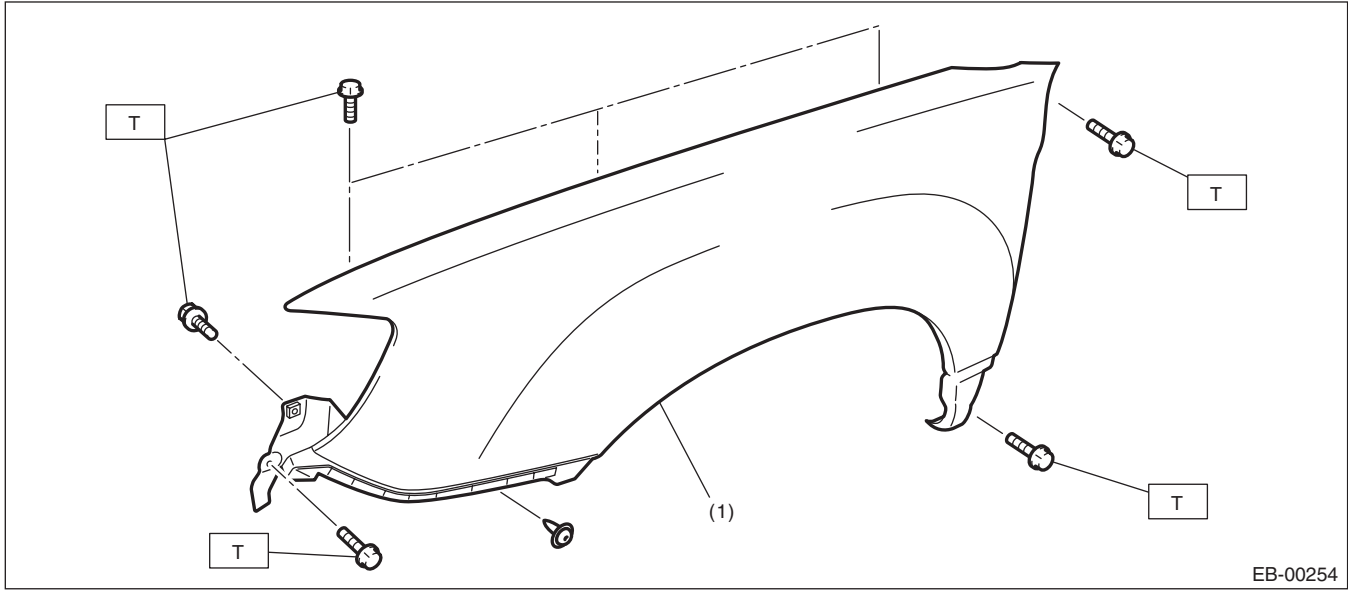
T1: 25 (2.5, 18)

T2: 37 (3.8, 27)

General Description

EXTERIOR BODY PANELS

2. FRONT FENDER

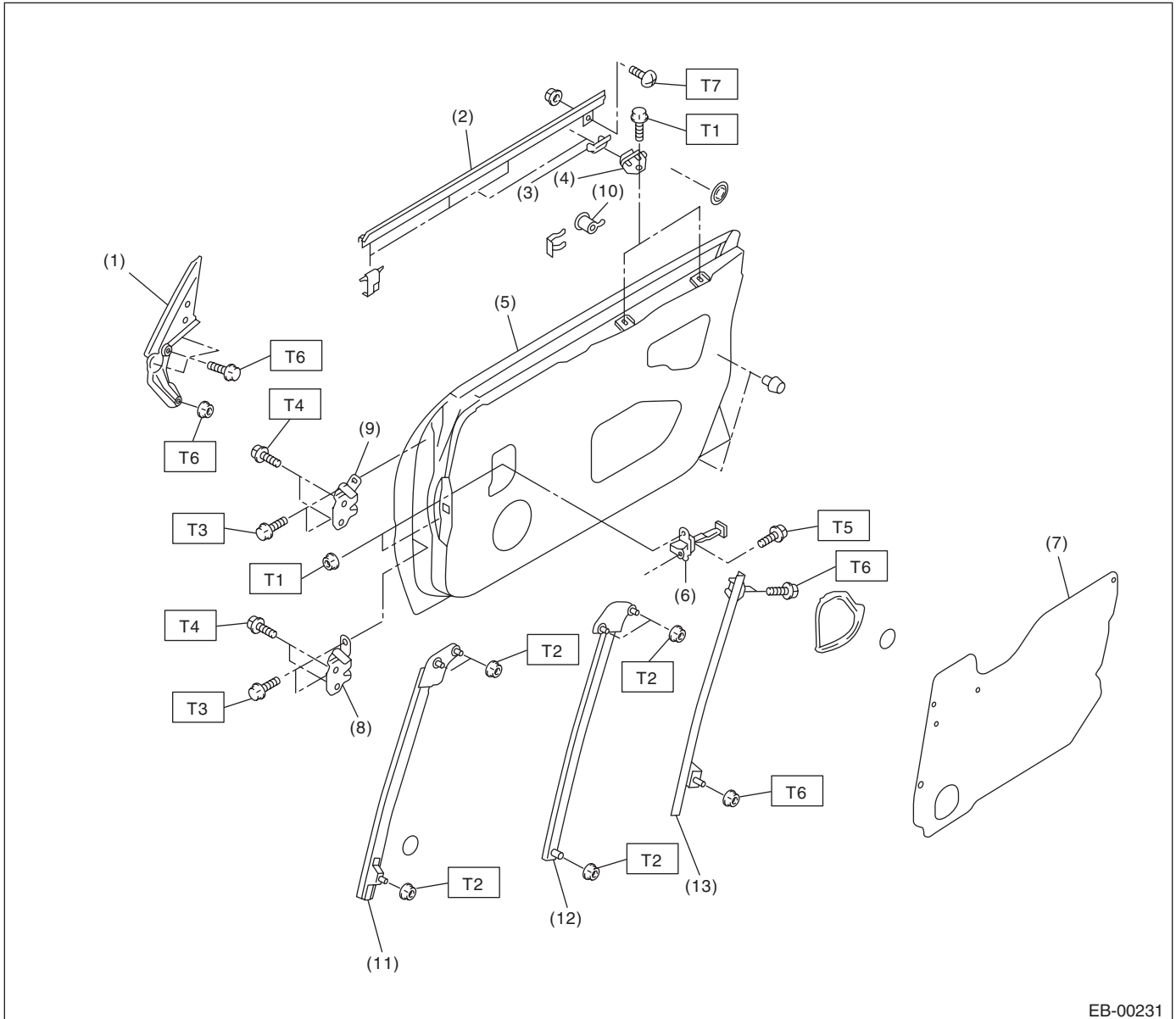


(1) Front fender panel

Tightening torque: N·m (kgf·m, ft·lb)

T: 7.5 (0.76, 5.5)

3. FRONT DOOR



EB-00231

- | | |
|------------------------|----------------------------------------|
| (1) Gusset | (8) Lower hinge |
| (2) Weather strip | (9) Upper hinge |
| (3) Stabilizer (outer) | (10) Key cylinder (Driver's side only) |
| (4) Stabilizer (inner) | (11) Front sash |
| (5) Door panel | (12) Rear sash |
| (6) Checker | (13) Guide rail |
| (7) Sealing cover | |

Tightening torque: N-m (kgf-m, ft-lb)

T1: 7.5 (0.76, 5.5)

T2: 14 (1.4, 10.3)

T3: 25 (2.5, 18.1)

T4: 30 (3.1, 22)

T5: 33 (3.4, 24)

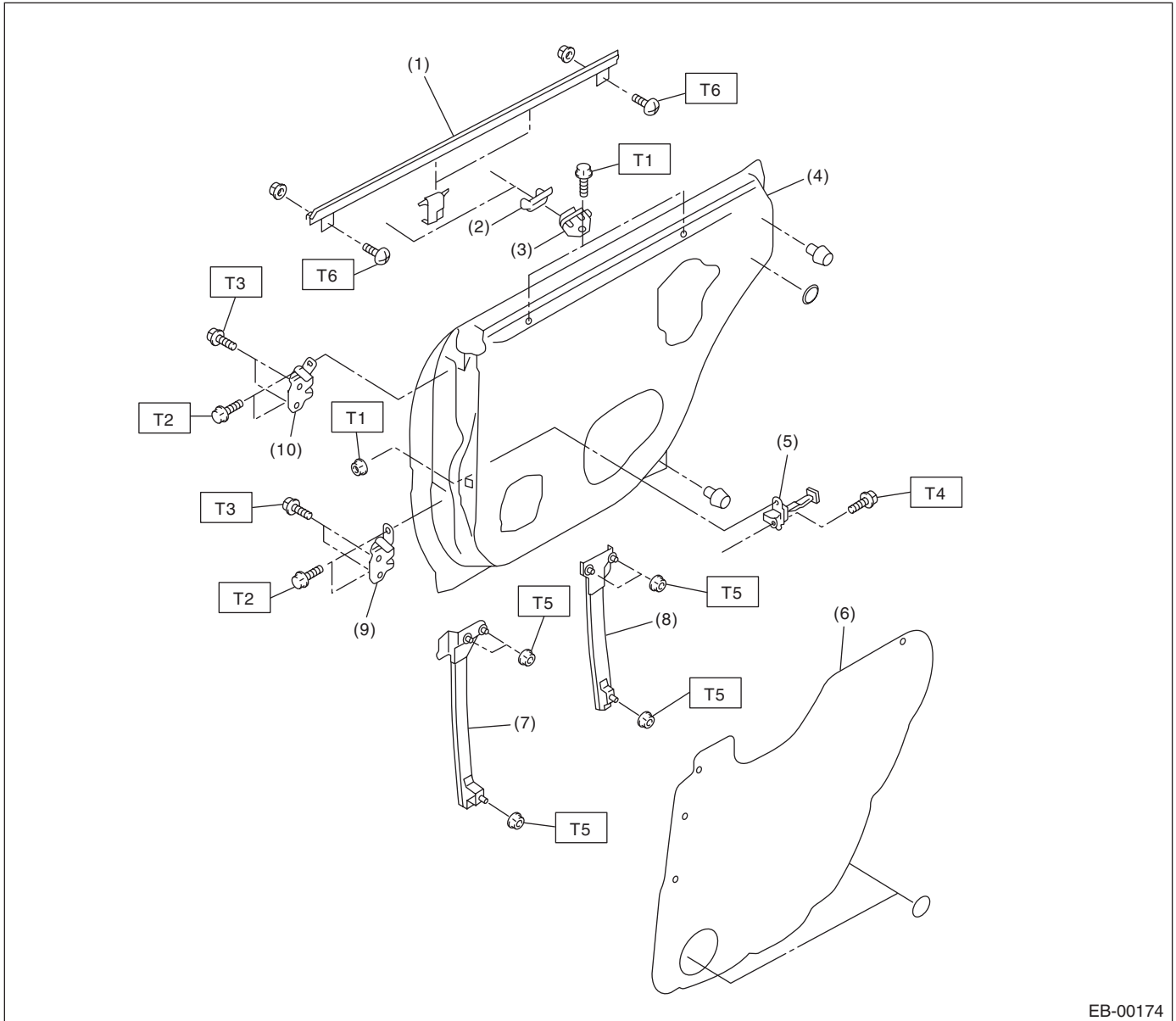
T6: 6 (0.6, 4.4)

T7: 1.5 (0.15, 1.1)

General Description

EXTERIOR BODY PANELS

4. REAR DOOR



EB-00174

- | | |
|------------------------|-------------------|
| (1) Weather strip | (6) Sealing cover |
| (2) Stabilizer (outer) | (7) Front sash |
| (3) Stabilizer (inner) | (8) Rear sash |
| (4) Door panel | (9) Lower hinge |
| (5) Checker | (10) Upper hinge |

Tightening torque: N·m (kgf·m, ft·lb)

T1: 7.5 (0.76, 5.5)

T2: 25 (2.5, 18)

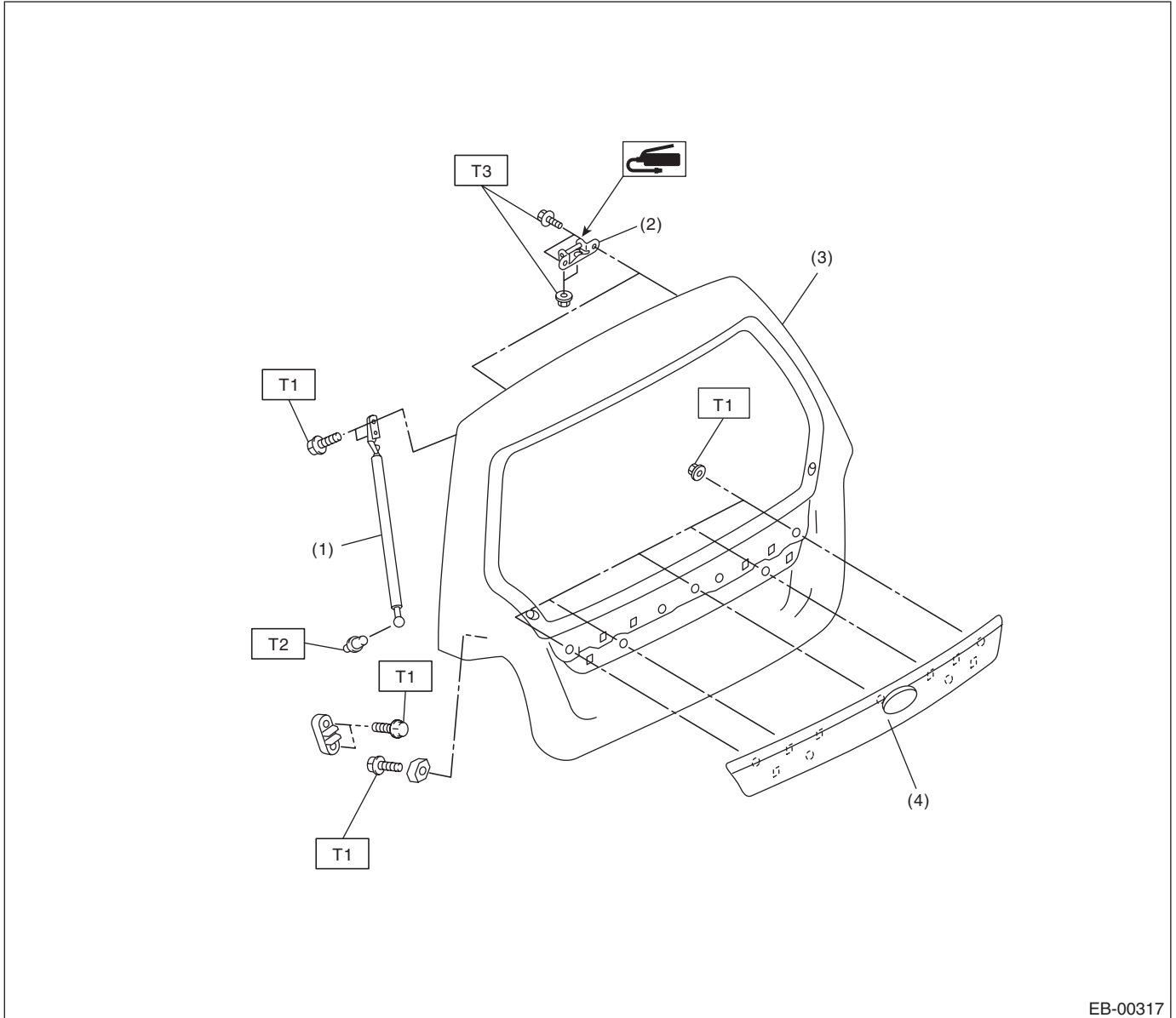
T3: 30 (3.1, 22)

T4: 33 (3.4, 24)

T5: 14 (1.4, 10.3)

T6: 1.5 (0.15, 1.1)

5. REAR GATE



EB-00317

- (1) Damper stay
- (2) Hinge

- (3) Rear gate panel
- (4) Rear gate garnish

Tightening torque: N·m (kgf·m, ft·lb)

T1: 7.5 (0.76, 5.5)

T2: 14 (1.4, 10.3)

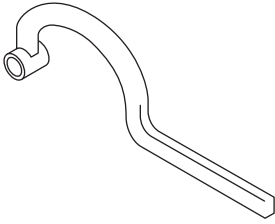
T3: 25 (2.5, 18.1)

General Description

EXTERIOR BODY PANELS

C: PREPARATION TOOL

1. SPECIAL TOOL

ILLUSTRATION	TOOL NUMBER	DESCRIPTION	REMARKS
 ST-925610000	925610000	WRENCH	Used for removing and installing door hinge.

2. GENERAL TOOL

TOOL NAME	REMARKS
Support jack	Used for supporting door panel.
Support stand	Used for supporting the rear gate panel.