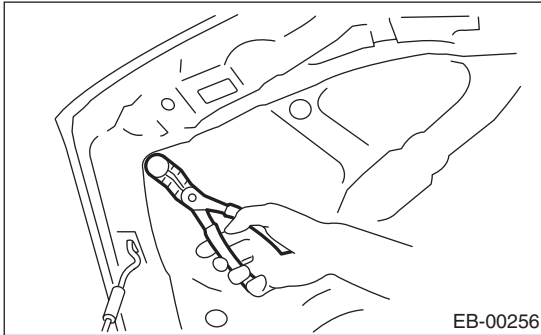


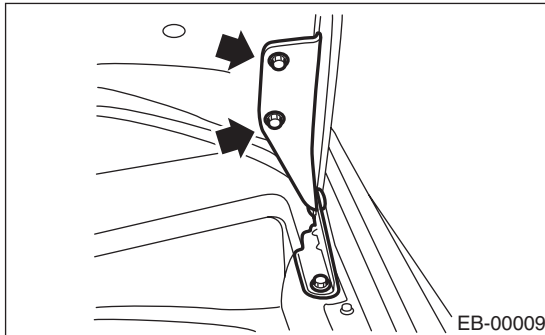
2. Front Hood

A: REMOVAL

- 1) Open the front hood to remove the washer nozzles.
- 2) Release the clips to remove the front hood insulator.



- 3) Remove the bolts to disconnect the hood from hinges.



B: INSTALLATION

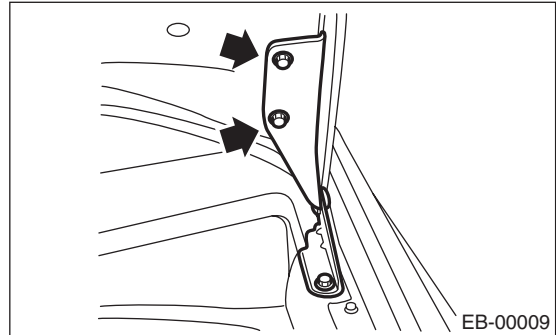
- 1) Install in the reverse order of removal.
- 2) Adjust the clearance between front hood panel and front fender panel. Clearance must be equal at both sides.

Tightening torque:

Refer to "COMPONENT" of "General Description". <Ref. to EB-3, FRONT HOOD, COMPONENT, General Description.>

C: ADJUSTMENT

- 1) Use a hinge mounting holes to align the front hood longitudinally and laterally.



- 2) Adjust the height at the front end of front hood. <Ref. to SL-40, ADJUSTMENT, Front Hood Lock Assembly.>

- 3) Rotate the front hood buffer to adjust lateral height.

