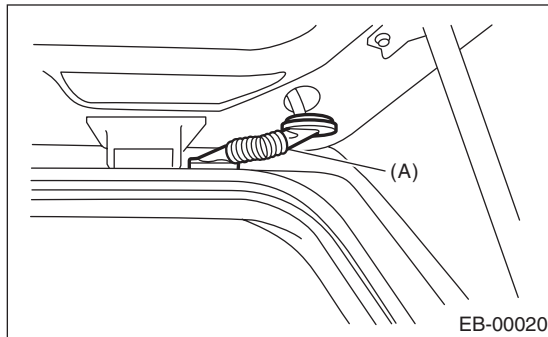


8. Rear Gate

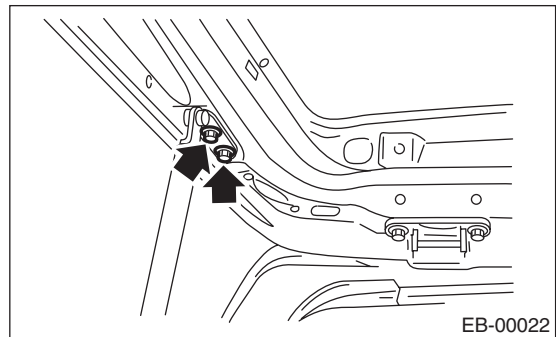
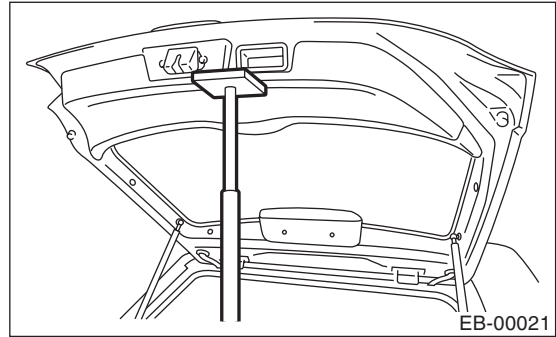
A: REMOVAL

1. REAR GATE PANEL

- 1) Disconnect the ground cable from the battery.
- 2) Open the rear gate.
- 3) Remove the rear gate trim. <Ref. to EI-47, REMOVAL, Rear Gate Trim.>
- 4) Remove the rear wiper motor. <Ref. to WW-16, REMOVAL, Rear Wiper Motor.>
- 5) Remove the rear gate garnish assembly. <Ref. to EB-20, REMOVAL, Rear Gate Garnish.>
- 6) Remove the rear gate outer handle. <Ref. to SL-37, REMOVAL, Rear Gate Outer Handle.>
- 7) Remove the rear gate latch assembly. <Ref. to SL-38, REMOVAL, Rear Gate Latch Assembly.>
- 8) Disconnect the connectors of rear wiper, rear defogger, and other lighting devices.
- 9) Disconnect the washer hose.
- 10) Remove the rubber duct (A) connection, and pull out the harness and washer hose from the rear gate.



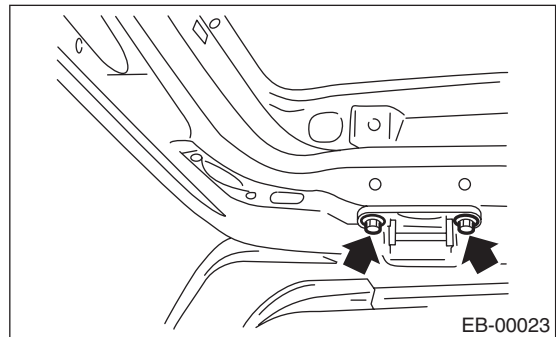
- 11) Support the rear gate using a support stand while removing the rear gate damper stay mounting bolts.



NOTE:

When the support stand that is supporting the rear gate is released, rear gate may hit and damage the body. To prevent this, place a shop cloth between body and rear gate.

- 12) Loosen the rear gate bolts to remove the rear gate.

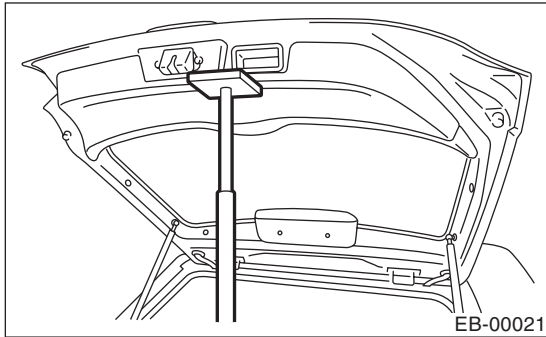


Rear Gate

EXTERIOR BODY PANELS

2. REAR GATE DAMPER STAY

1) Open the rear gate. Support the rear gate using the support stand.



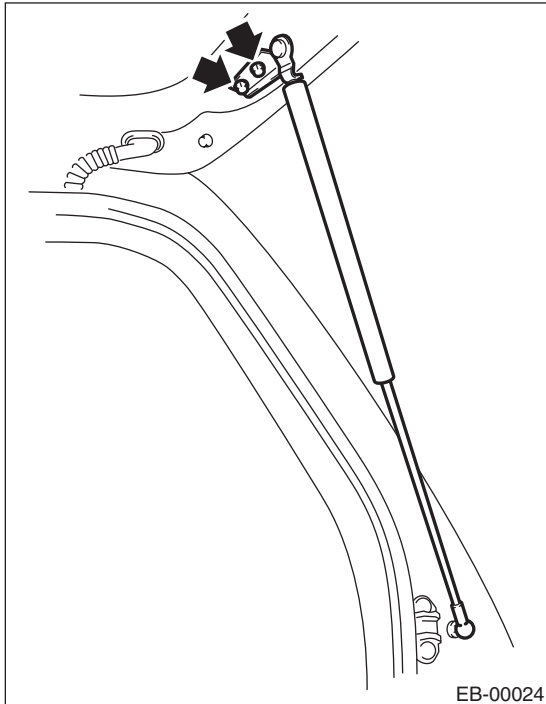
NOTE:

After the rear gate damper stay is removed, the rear gate cannot stay in the open position. Support the rear gate with a support stand when removing the bolts.

CAUTION:

- Do not damage piston rods and oil seals.
- Never disassemble cylinders: They contain gas.

2) Loosen the bolts to remove rear gate damper stay from the rear gate.



B: INSTALLATION

1. REAR GATE PANEL

- 1) Install in the reverse order of removal.
- 2) Install the rear gate panel with uniform clearance to the body.
- 3) Refer to "COMPONENT" of "General Description" for tightening torque. <Ref. to EB-7, REAR GATE, COMPONENT, General Description.>

NOTE:

Support the rear gate with a support stand before starting the work.

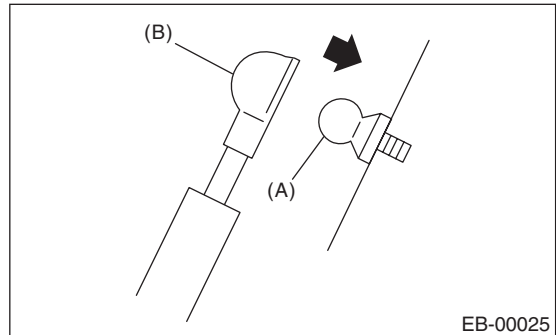
2. REAR GATE DAMPER STAY

- 1) Install mounting bolt (A) to the rear gate panel and body.

Tightening torque:

14 N·m (1.4 kgf-m, 10.3 ft-lb)

- 2) Securely install the rear gate damper stay (B) to the mounting bolt (A).



- 3) Tighten the upper side bolt of the rear gate damper stay.

Tightening torque:

10 N·m (1.0 kgf-m, 7.2 ft-lb)

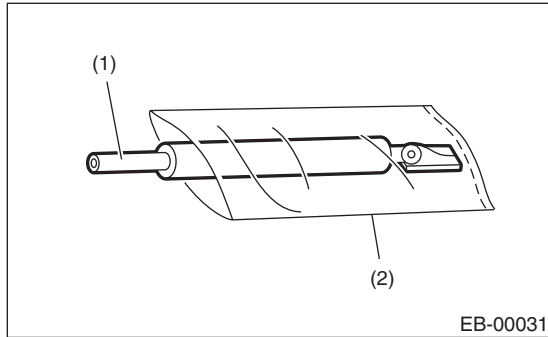
C: DISPOSAL

1. REAR GATE DAMPER STAY

CAUTION:

Gas is colorless, odorless, and harmless. However, gas pressure may spray cutting powder or oil. Be sure to wear dust-resistant goggles.

1) Cover with a vinyl sack as shown in the figure.

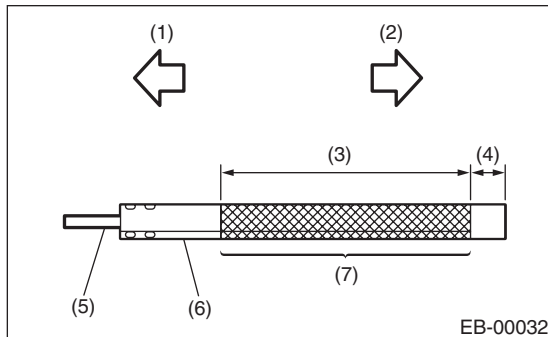


- (1) Rear gate damper stay
- (2) Vinyl sack

NOTE:

Prevent the vinyl sack from being caught by drill cutting edge

2) Lift the body side slightly with piston rods fully extended, and secure the body side on vise stand. Drill a hole in 2 to 3 mm (0.08 to 0.12 in) diameter at a point 10 to 200 mm (0.39 to 7.87 in) from door side, and bleed rear gate damper stay gas stay completely.



- (1) Body side
- (2) Door side
- (3) 190 mm (7.48 in)
- (4) 10 mm (0.39 in)
- (5) Piston rod
- (6) Cylinder
- (7) Portion to be drilled