

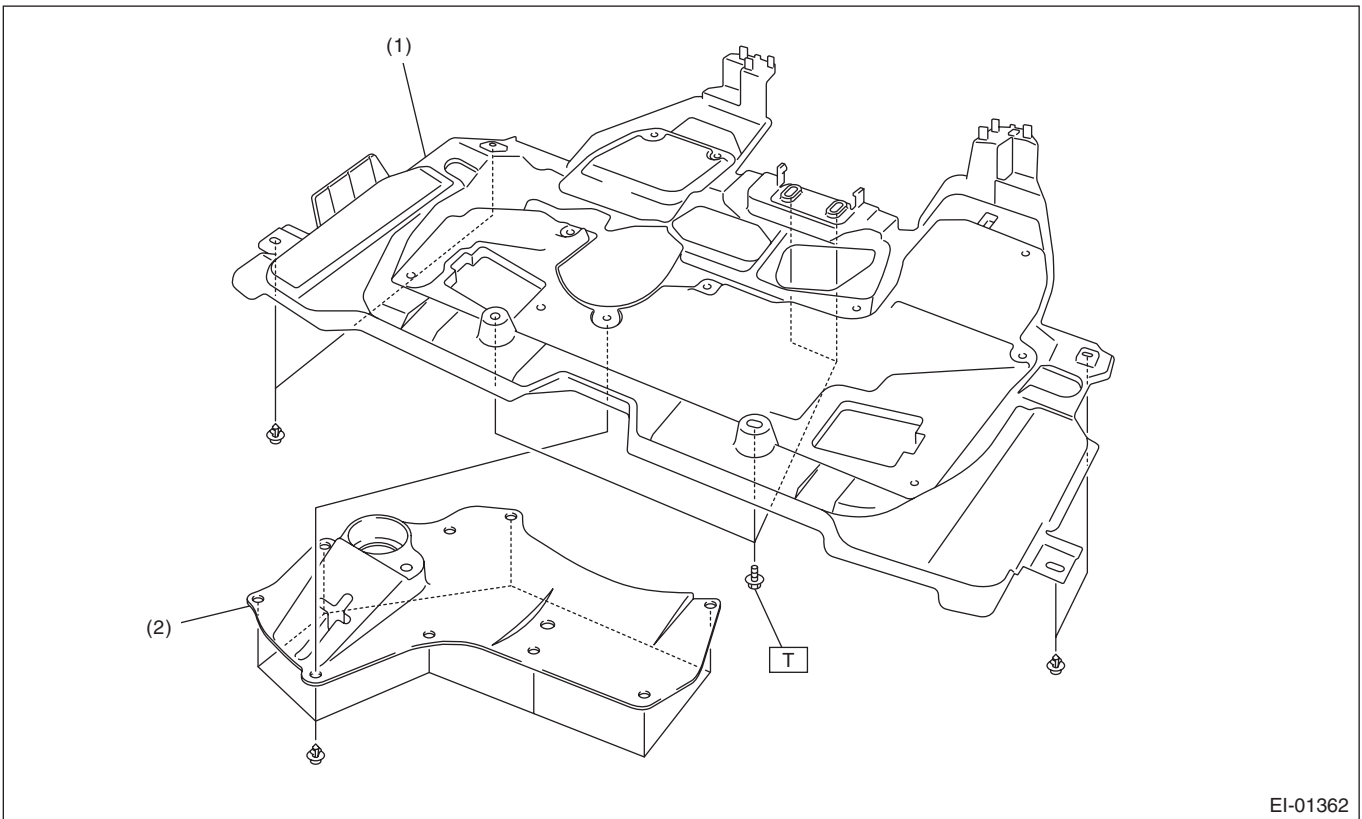
General Description

EXTERIOR/INTERIOR TRIM

1. General Description

A: COMPONENT

1. UNDER COVER



EI-01362

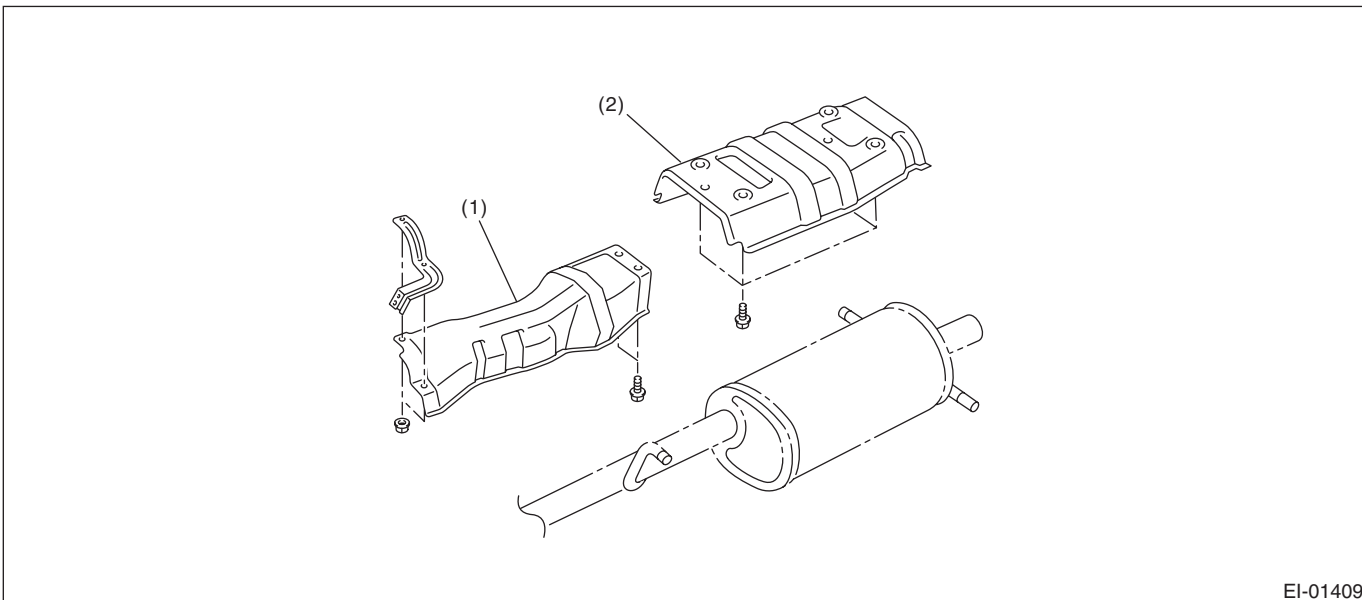
(1) Front under cover

(2) Service hole cover

Tightening torque: N·m (kgf·m, ft·lb)

T: 18 (1.84, 13.3)

2. HEAT SHIELD COVER

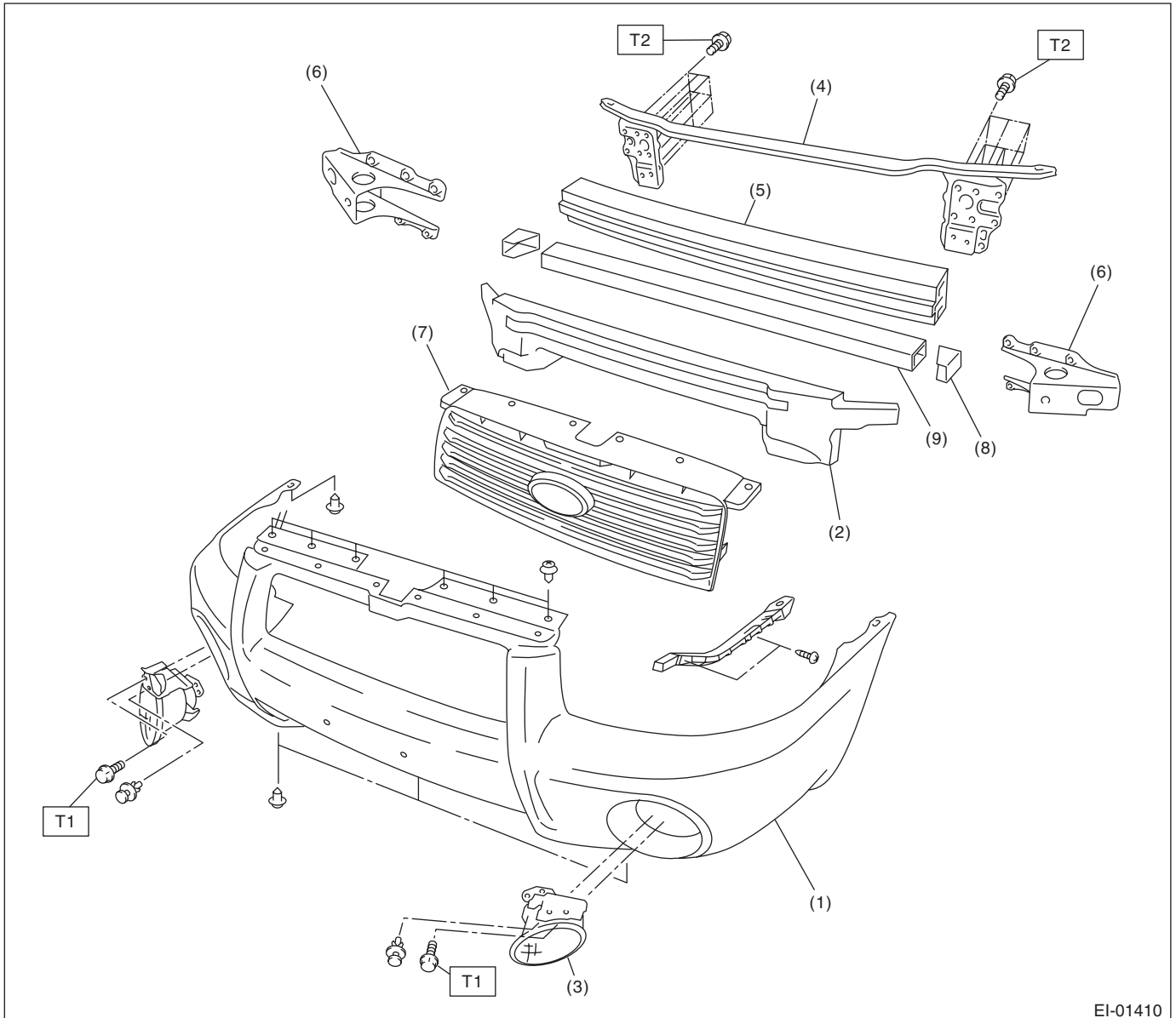


EI-01409

(1) Center heat shield cover

(2) Rear heat shield cover

3. FRONT BUMPER



EI-01410

- | | |
|-----------------|------------------------------|
| (1) Bumper face | (6) Side bracket |
| (2) E/A Form | (7) Front grille |
| (3) Fog light | (8) Lower beam reinforcement |
| (4) Upper beam | (9) Lower beam |
| (5) Main beam | |

Tightening torque: N·m (kgf·m, ft·lb)

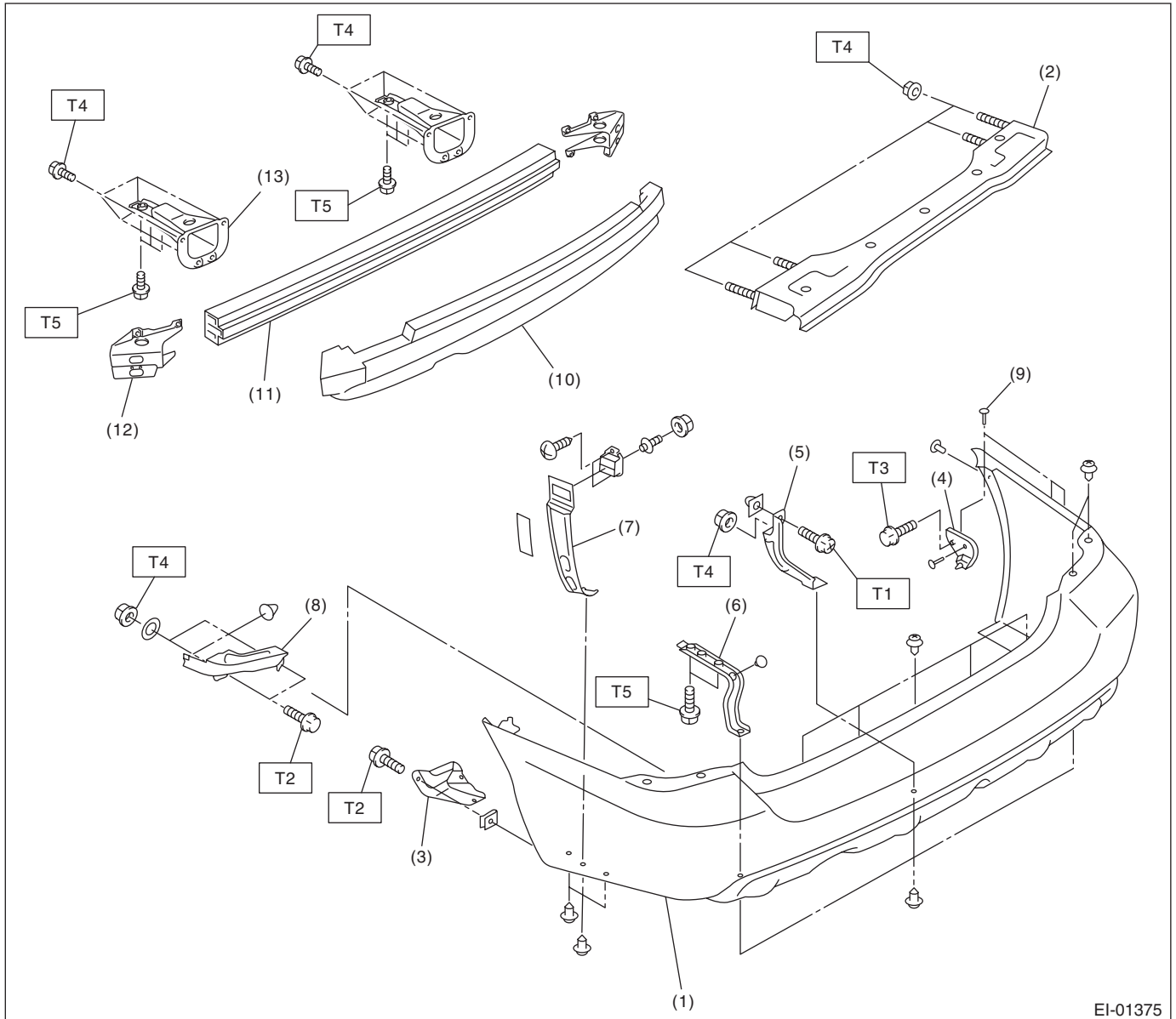
T1: 7.5 (0.76, 5.53)

T2: 70 (7.1, 51)

General Description

EXTERIOR/INTERIOR TRIM

4. REAR BUMPER



EI-01375

- | | |
|------------------------------------|---------------------------------|
| (1) Bumper face | (8) Rear bumper upper beam side |
| (2) Rear bumper upper beam | (9) Rivet |
| (3) Cover rear arch | (10) E/A Form |
| (4) Bracket side rear bumper front | (11) Main beam |
| (5) Bracket center | (12) Side bracket |
| (6) Stay COMPL | (13) Bumper stay |
| (7) Bracket bumper side rear ASSY | |

Tightening torque: N·m (kgf·m, ft·lb)

T1: 1.8 (0.18, 1.3)

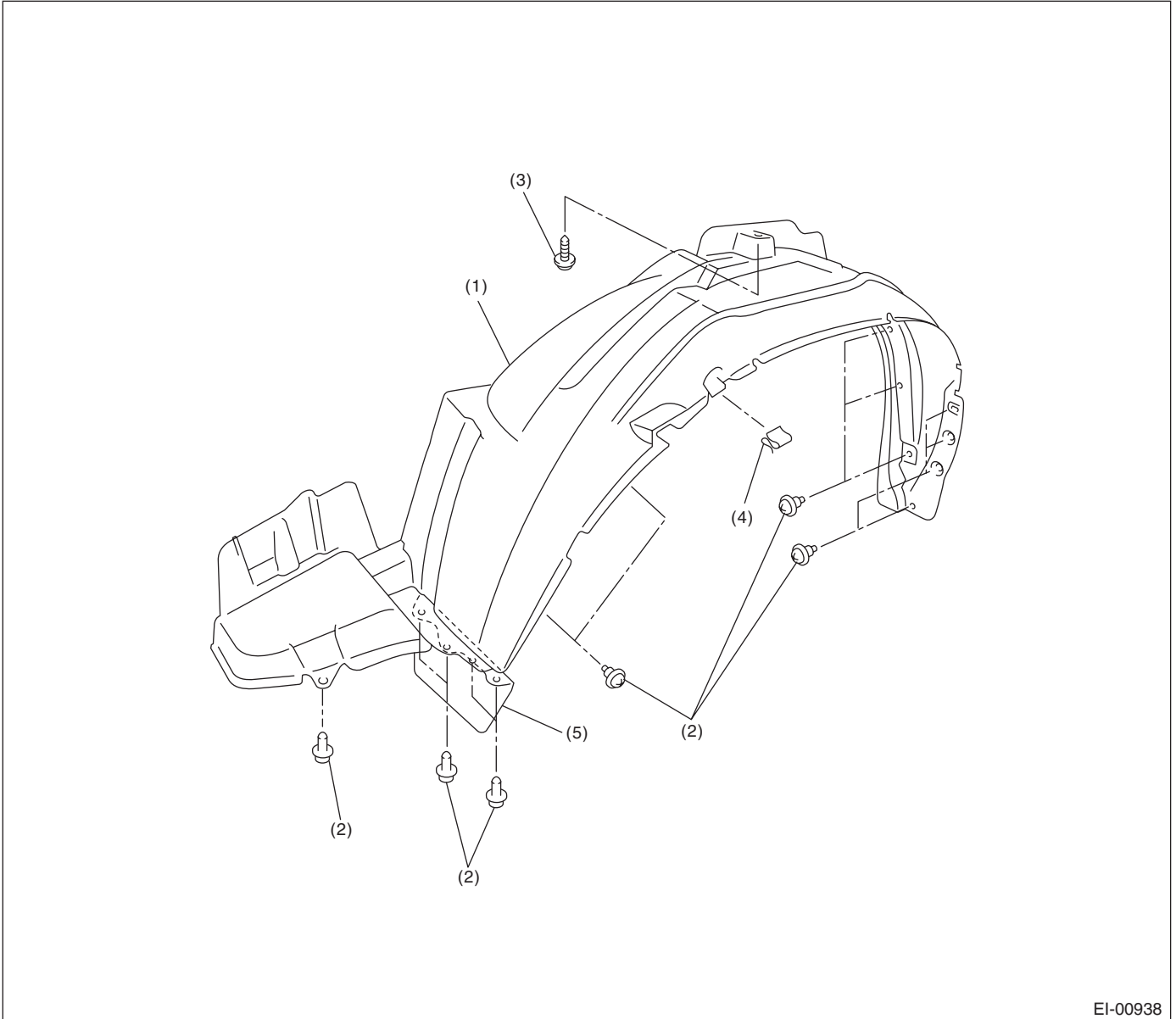
T2: 4.4 (0.45, 3.26)

T3: 7.4 (0.75, 5.46)

T4: 32 (3.3, 24)

T5: 93 (9.5, 68.7)

5. MUD GUARD



EI-00938

(1) Mud guard

(2) Clip

(3) Screw

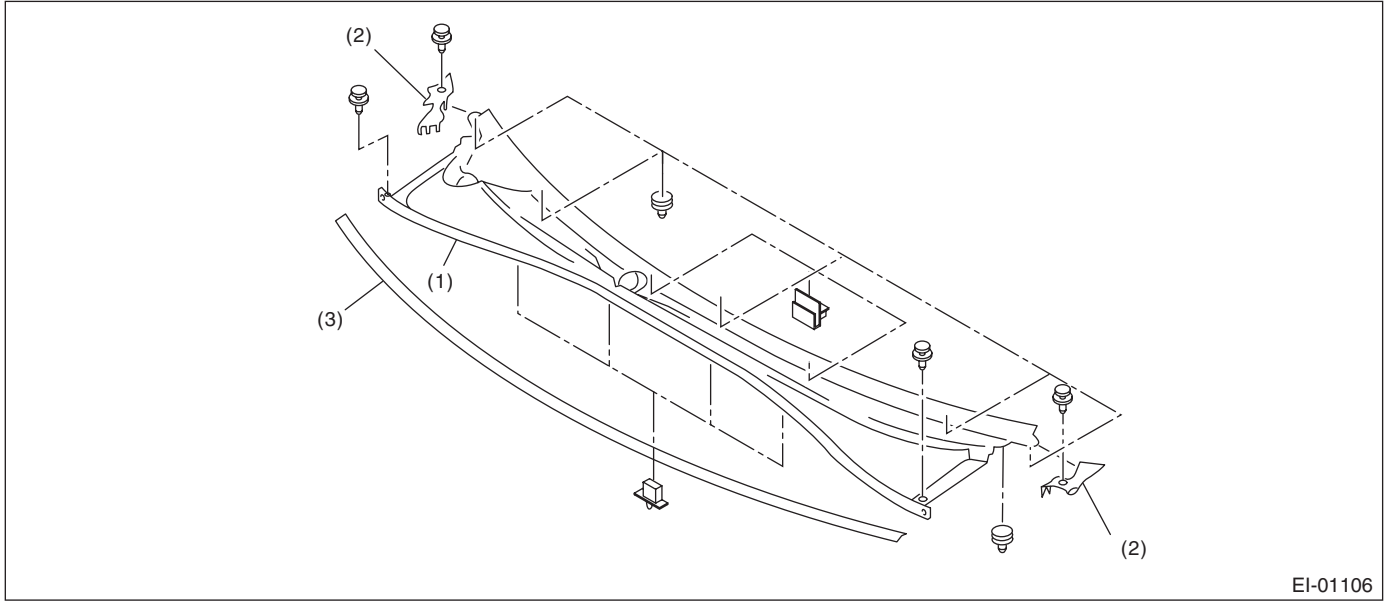
(4) Clip (S-shaped)

(5) Air flap

General Description

EXTERIOR/INTERIOR TRIM

6. COWL PANEL



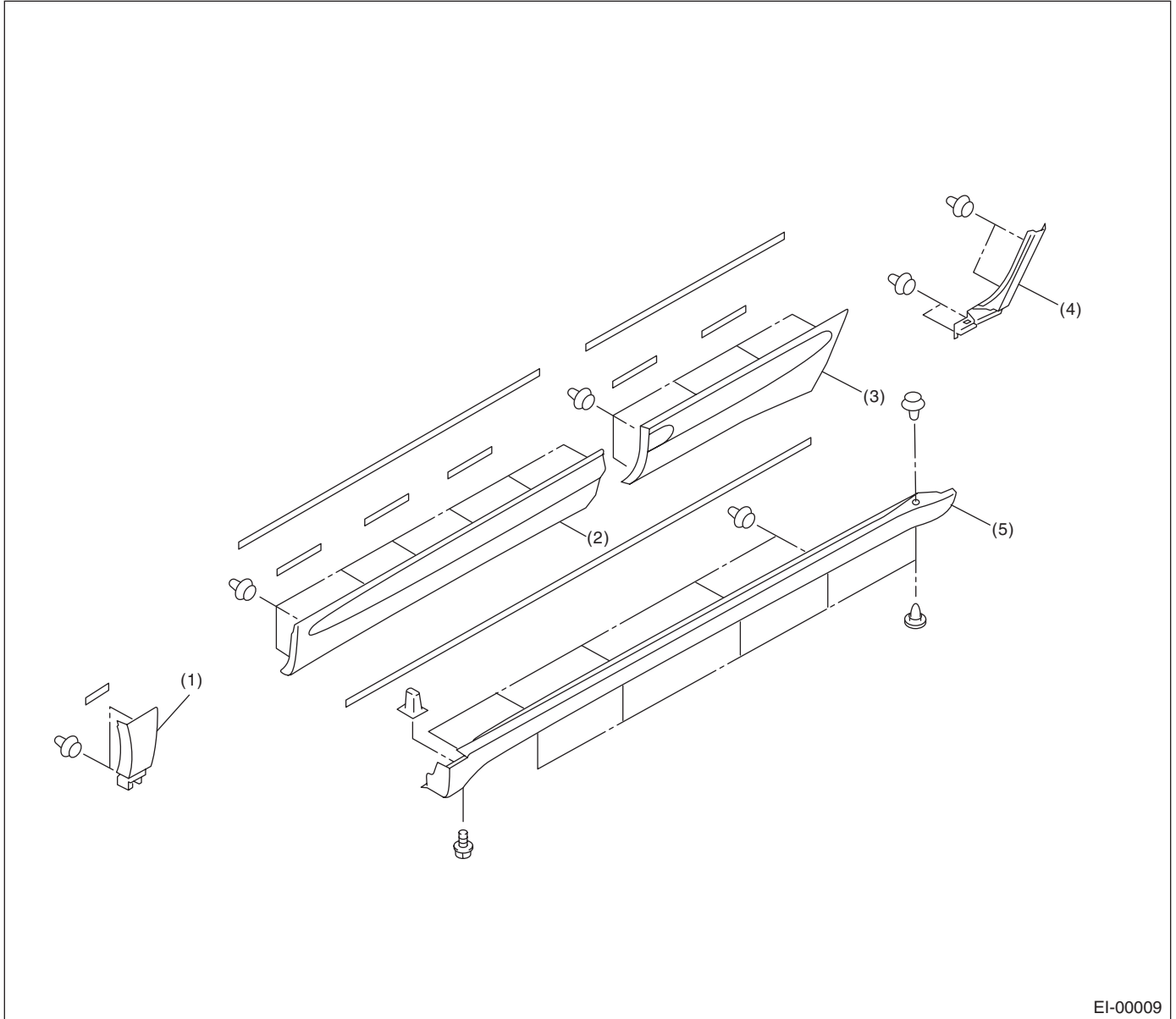
EI-01106

(1) Cowl panel

(2) Cowl panel side

(3) Seal

7. SIDE SILL SPOILER



EI-00009

- (1) Side garnish (Front fender)
- (2) Side garnish (Front door)

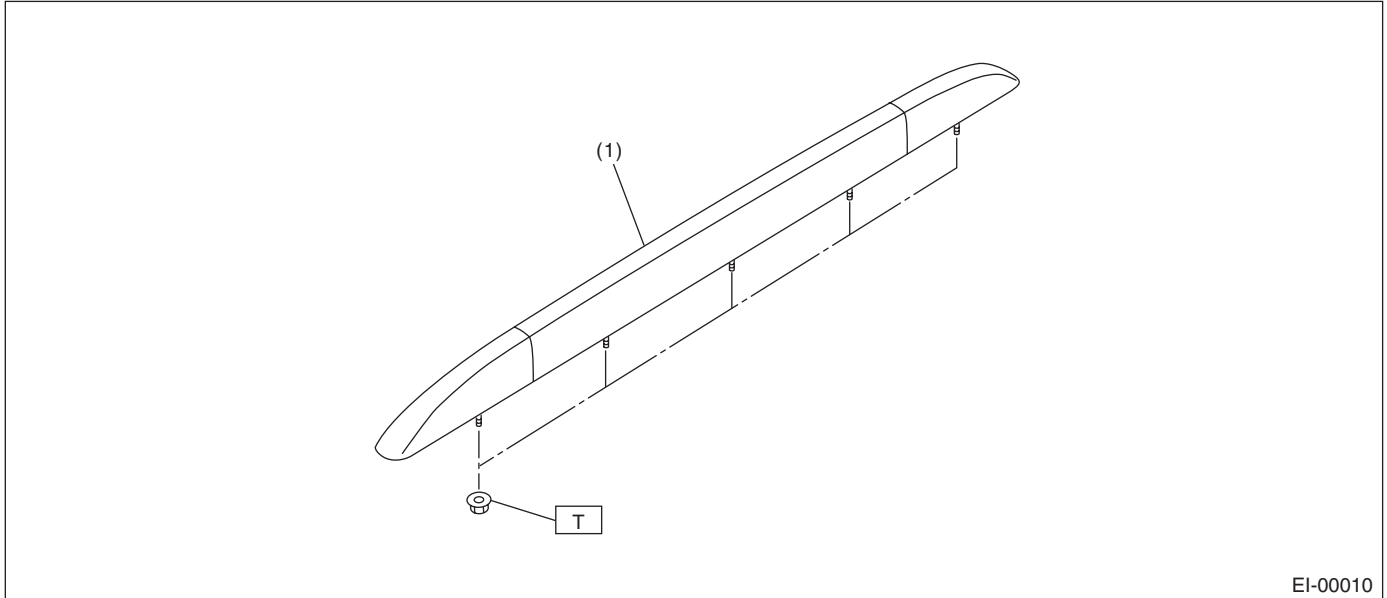
- (3) Side garnish (Rear door)
- (4) Side garnish (Rear quarter)

- (5) Side garnish (Side sill)

General Description

EXTERIOR/INTERIOR TRIM

8. ROOF RAIL



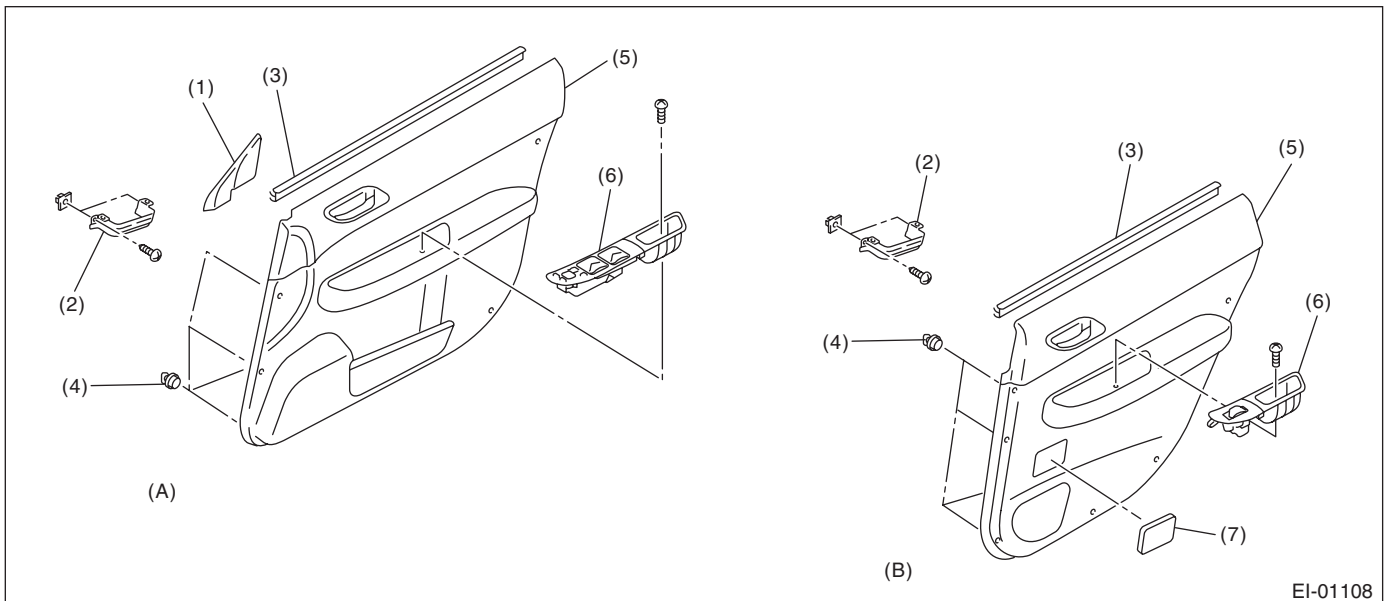
EI-00010

(1) Roof rail

Tightening torque: N·m (kgf·m, ft·lb)

T: 7.5 (0.76, 5.53)

9. DOOR TRIM



EI-01108

(A) Front door trim

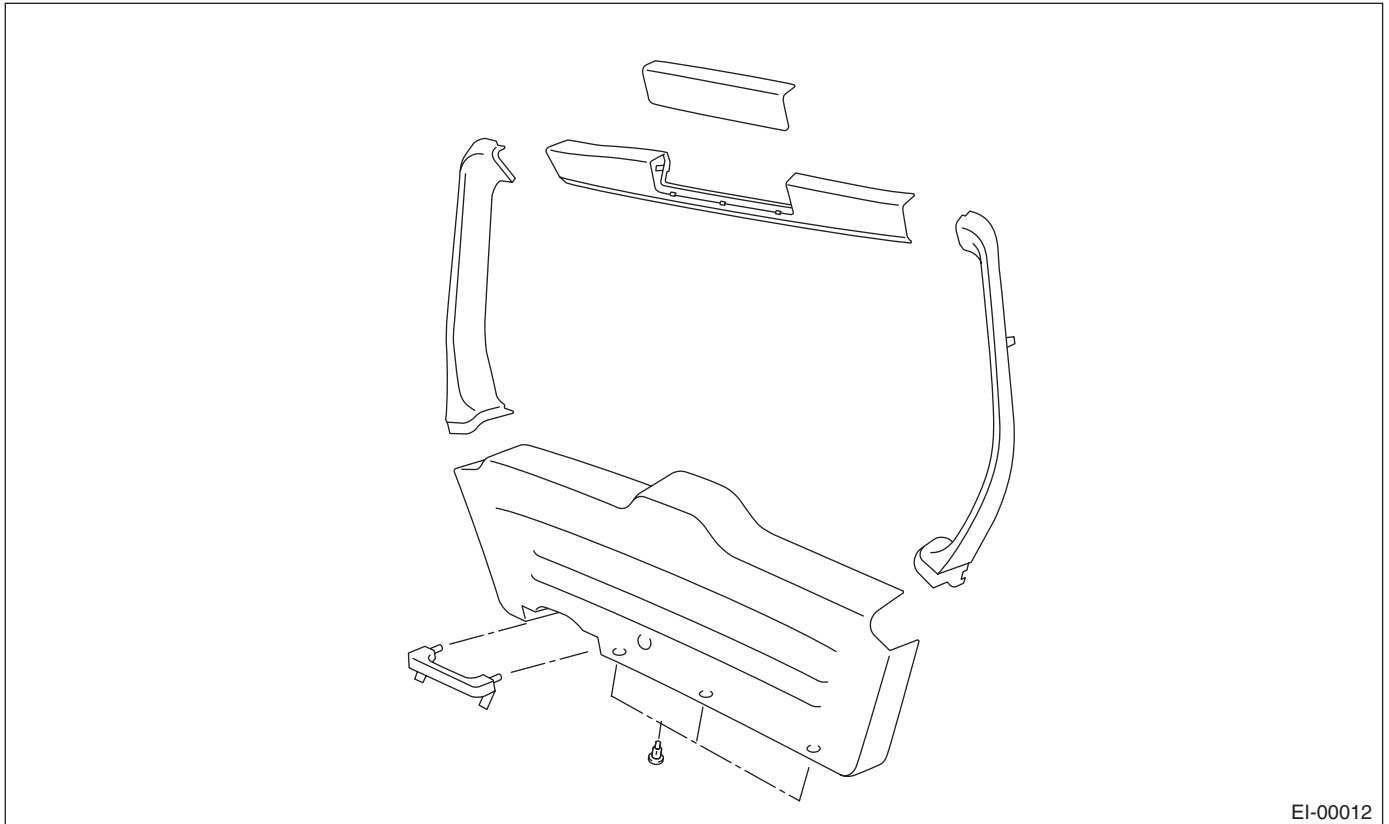
(B) Rear door trim

- (1) Gusset cover
- (2) Bracket
- (3) Upper weather strip

- (4) Clip
- (5) Trim panel
- (6) Power window switch cover

(7) Cover

10.REAR GATE TRIM

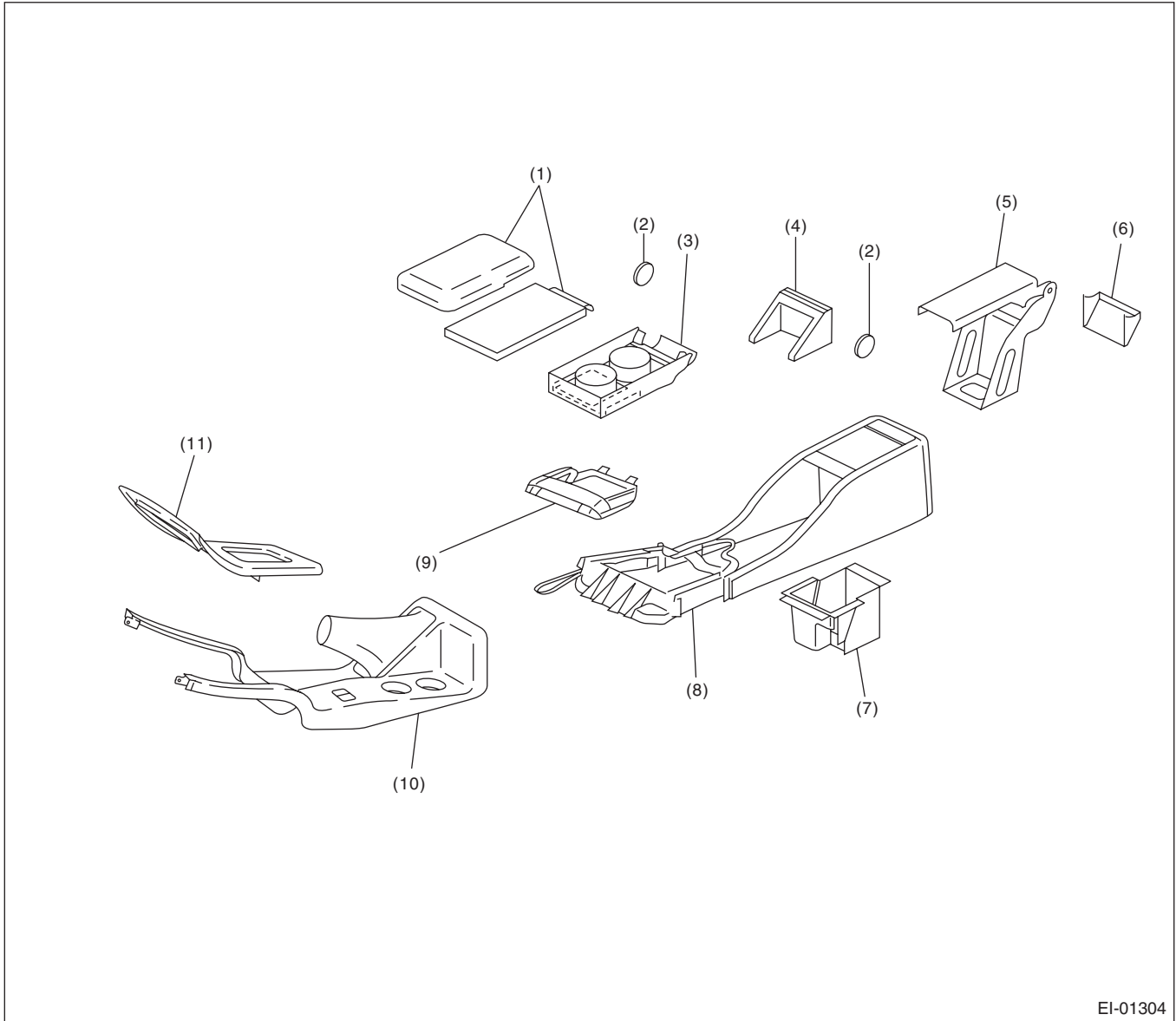


EI-00012

General Description

EXTERIOR/INTERIOR TRIM

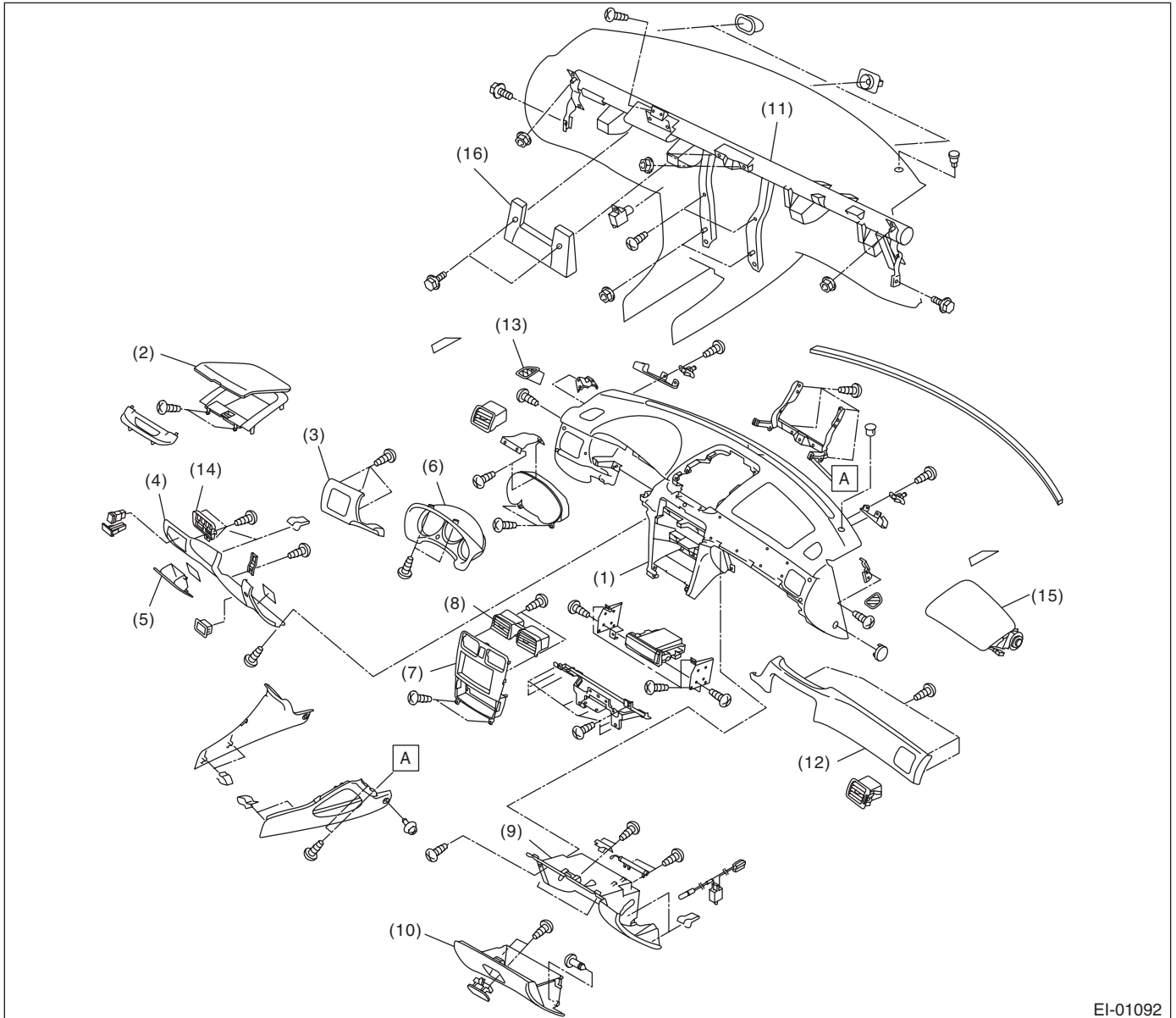
11.CONSOLE BOX



EI-01304

- | | | |
|-----------------------|----------------------|--------------------------|
| (1) Arm cover | (5) Armrest frame | (9) Console lid and tray |
| (2) Hinge cover | (6) Hinge rear cover | (10) Console cover |
| (3) Cup holder | (7) Console pocket | (11) Front cover |
| (4) Hinge front cover | (8) Console box | |

12. INSTRUMENT PANEL



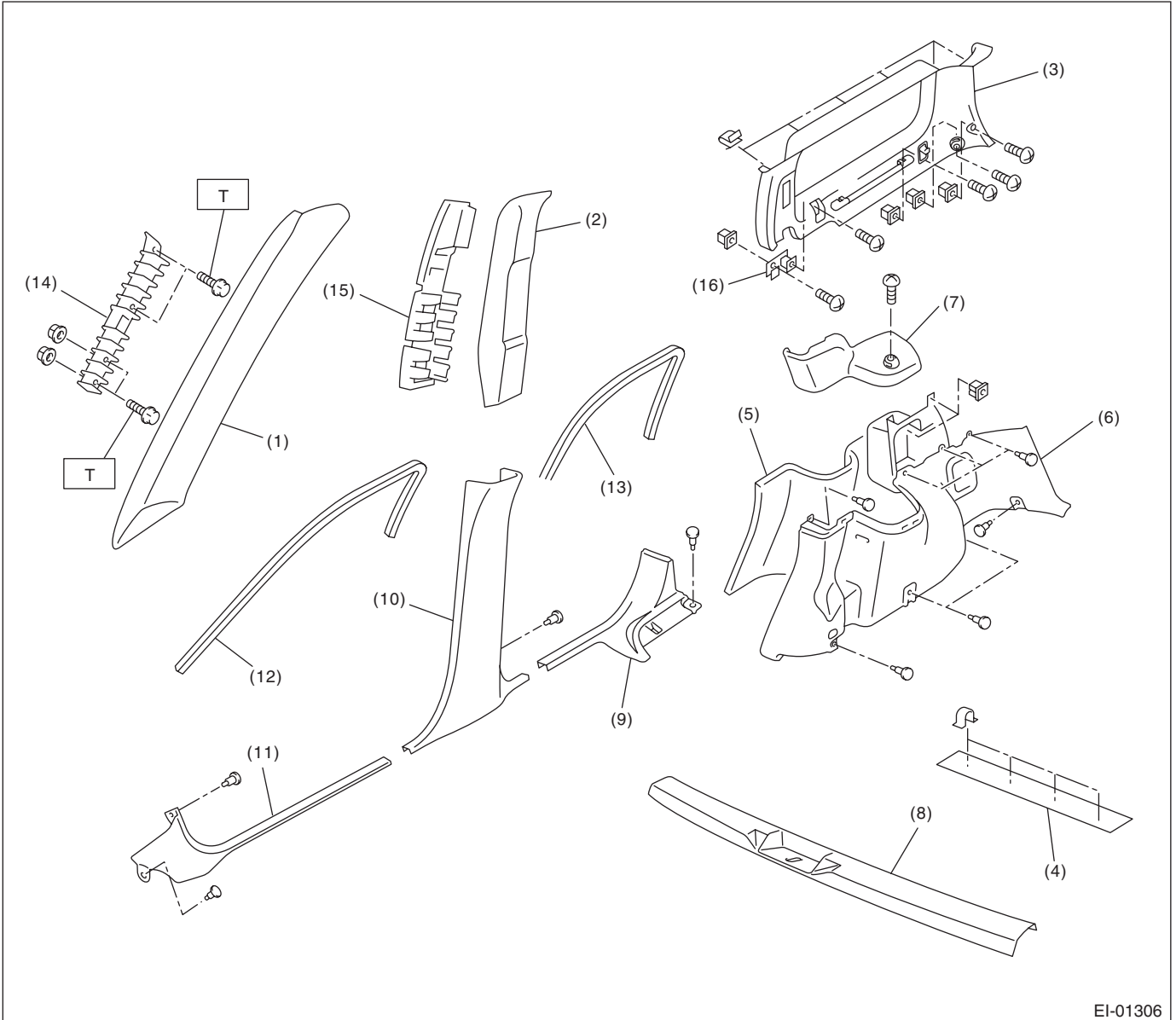
EI-01092

- | | | |
|--|---------------------|----------------------------------|
| (1) Pad and frame | (6) Meter visor | (12) Grille cover |
| (2) Center compartment (Model without navigation system) | (7) Center panel | (13) Air vent grille (Defroster) |
| (3) Grille cover | (8) Air vent grille | (14) Switch panel |
| (4) Lower cover | (9) Glove box panel | (15) Passenger's airbag module |
| (5) Coin box | (10) Glove box lid | (16) Knee guard panel |
| | (11) Steering beam | |

General Description

EXTERIOR/INTERIOR TRIM

13.INNER TRIM



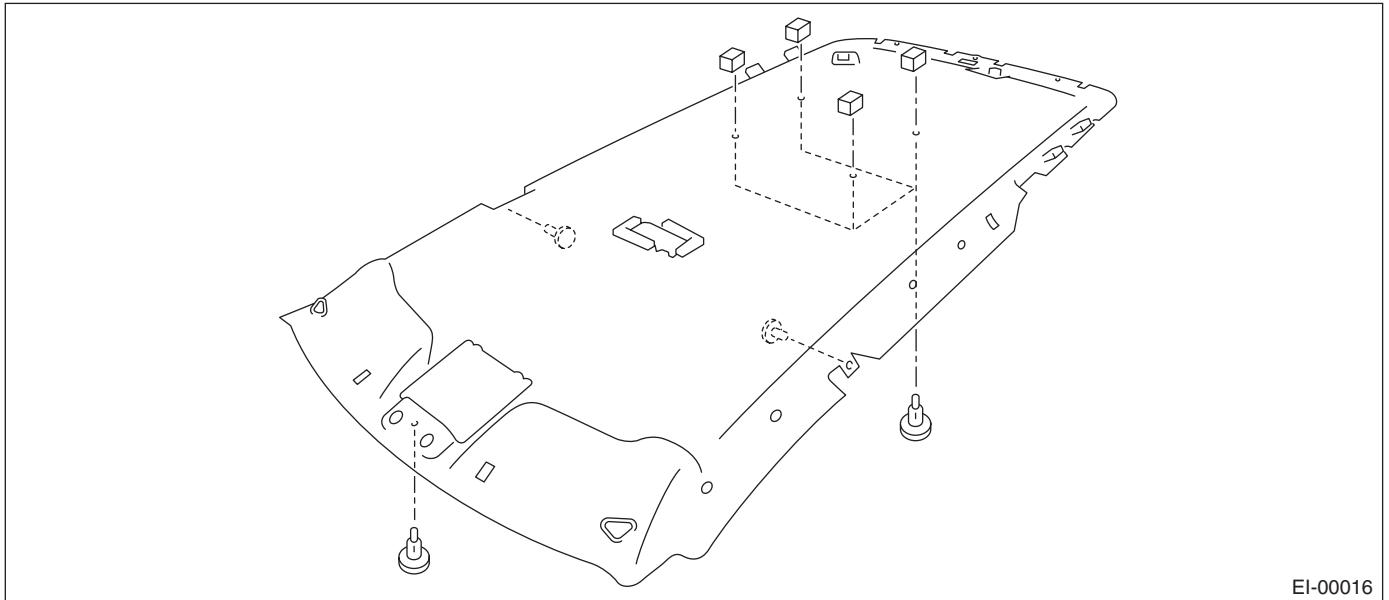
EI-01306

- | | | |
|------------------------------|-------------------------------|------------------------------|
| (1) Front pillar upper trim | (8) Rear skirt trim | (14) Front pillar inner rib |
| (2) Center pillar upper trim | (9) Side sill rear cover | (15) Center pillar inner rib |
| (3) Rear pillar upper trim | (10) Center pillar lower trim | (16) Bracket |
| (4) Rear rail trim | (11) Side sill front cover | |
| (5) Insulator | (12) Front garnish | |
| (6) Rear quarter lower trim | (13) Rear garnish | |
| (7) Strut cap | | |

Tightening torque: N·m (kgf·m, ft·lb)

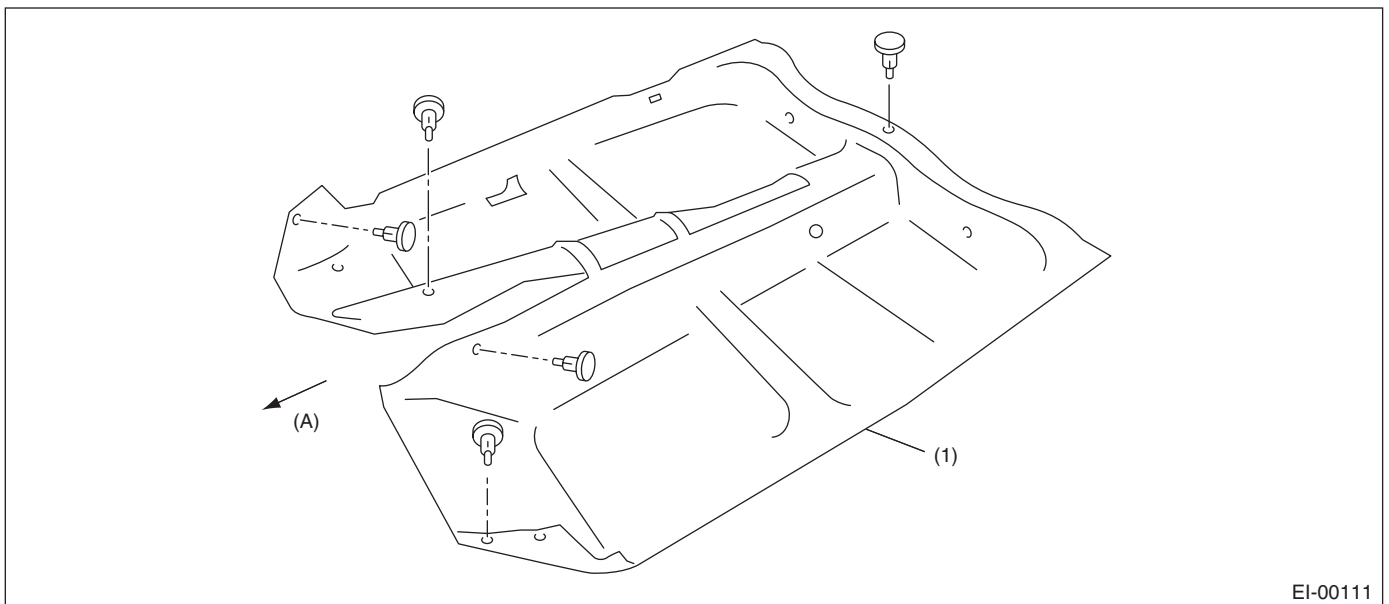
T: 2 (0.20, 1.46)

14. ROOF TRIM



EI-00016

15. FLOOR MAT



EI-00111

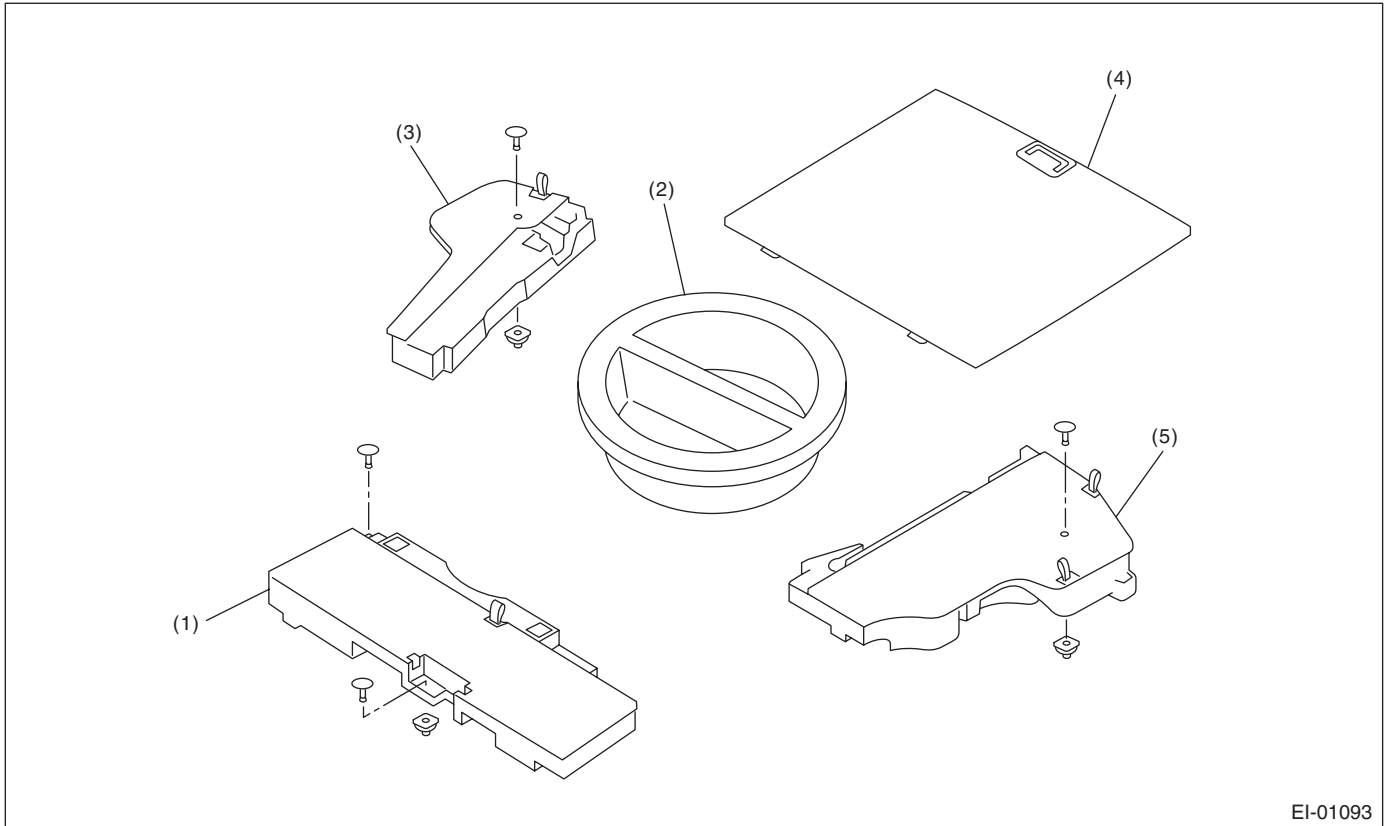
(A) Front side of vehicle

(1) Floor mat

General Description

EXTERIOR/INTERIOR TRIM

16.LUGGAGE FLOOR MAT



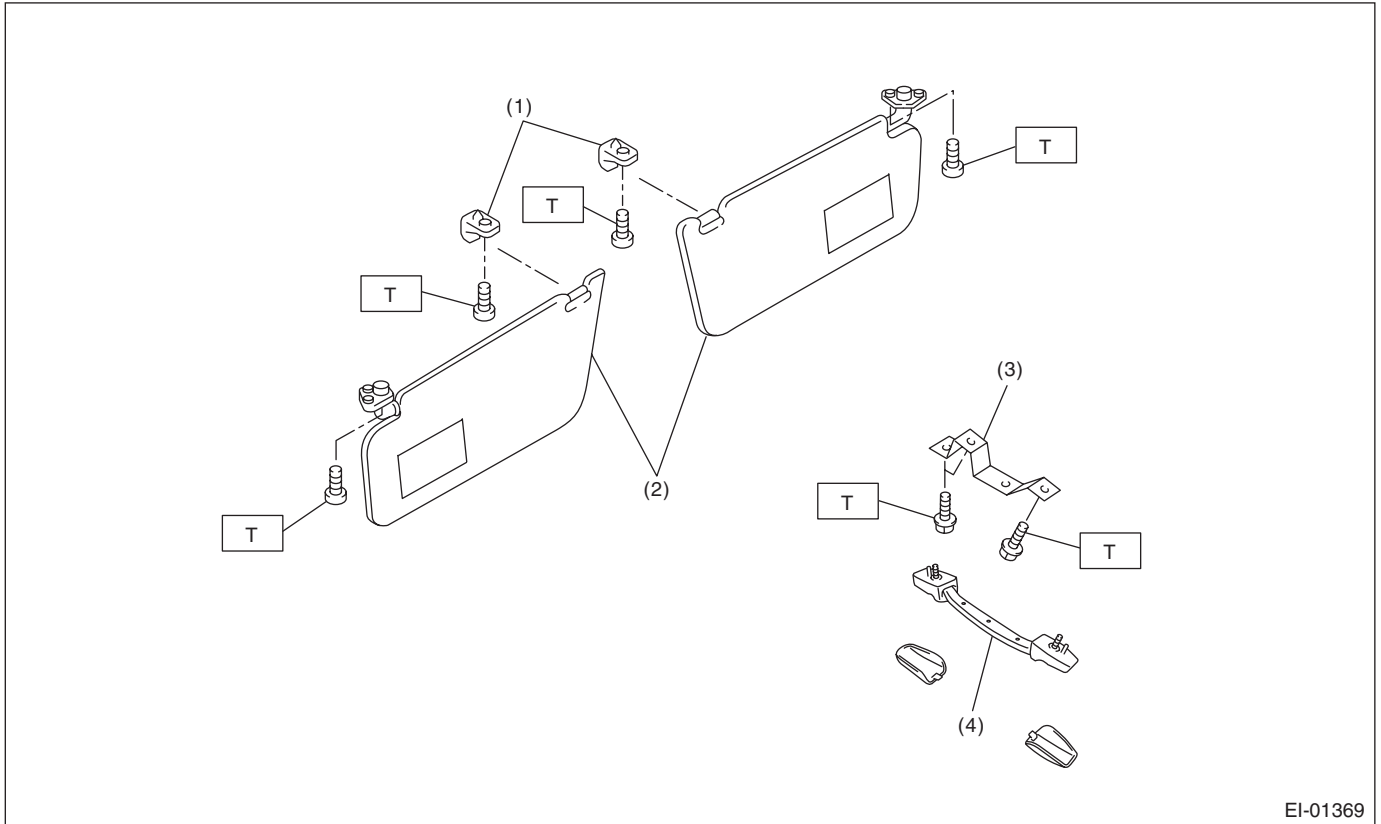
EI-01093

(1) Front floor mat
(2) Floor box

(3) Side floor mat RH
(4) Center floor mat

(5) Side floor mat LH

17.COMPARTMENT ACCESSORIES



EI-01369

- (1) Hook
- (2) Sun Visor
- (3) Assist rail bracket
- (4) Assist grip (Retractable)

Tightening torque: N·m (kgf·m, ft·lb)
T: 2 (0.20, 1.46)

B: PREPARATION TOOL

TOOL NAME	REMARKS
Clip remover	Used for removing trim.
Clip clamp pliers	Used for removal of various clips and clamps.