

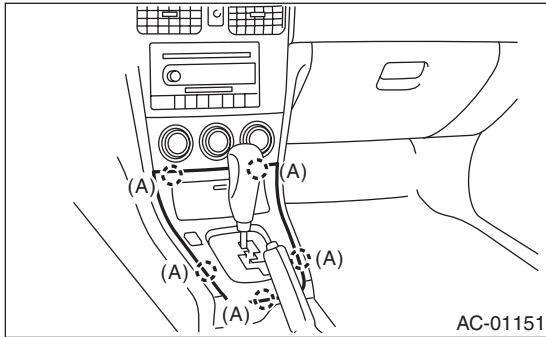
Console Box

EXTERIOR/INTERIOR TRIM

15. Console Box

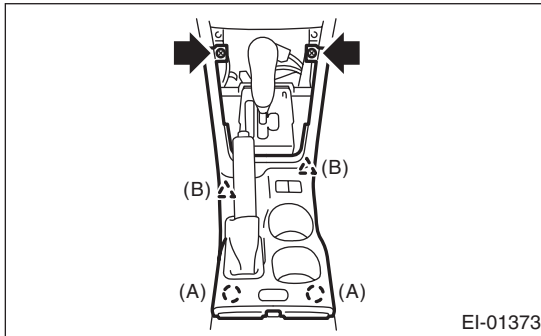
A: REMOVAL

- 1) Disconnect the ground cable from the battery.
- 2) Remove the console front cover.



(A) Hook

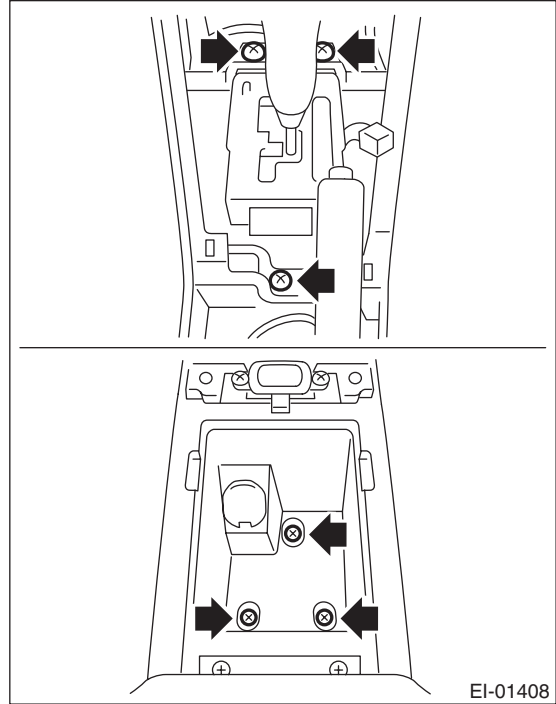
- 3) Remove the shift knob. (MT model)
- 4) Loosen the screws to remove console cover.



(A) Clip

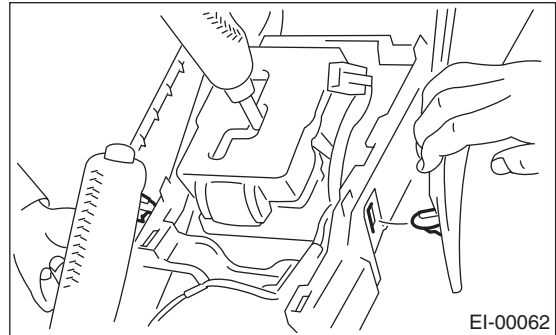
(B) Clip

- 5) Loosen the screws.



EI-01408

- 6) Remove the console side panel hooks to remove the console box.



EI-00062

B: INSTALLATION

Install in the reverse order of removal.