

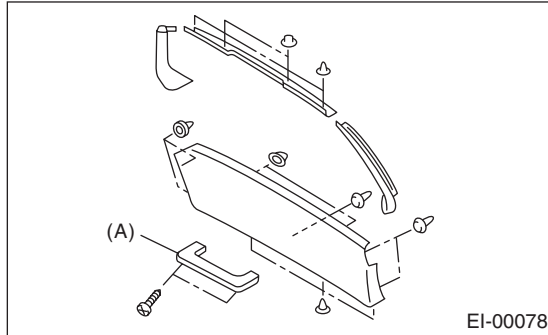
22.Rear Gate Trim

A: REMOVAL

CAUTION:

Be careful not to damage the clips or their holes.

Remove the rear gate inner handle (A) from the rear gate, and remove the trim panel.



B: INSTALLATION

Install in the reverse order of removal.