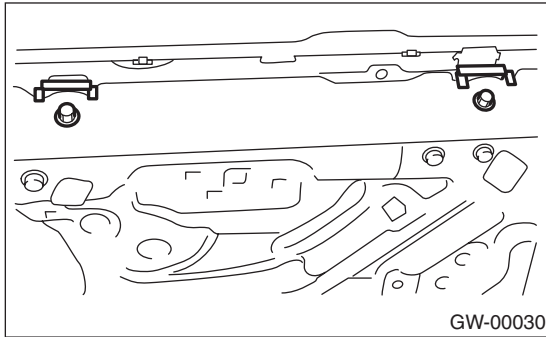


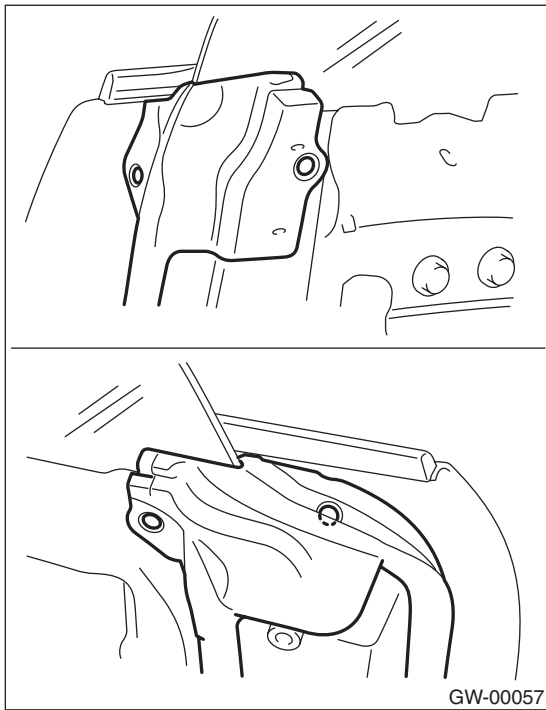
11. Rear Door Glass

A: REMOVAL

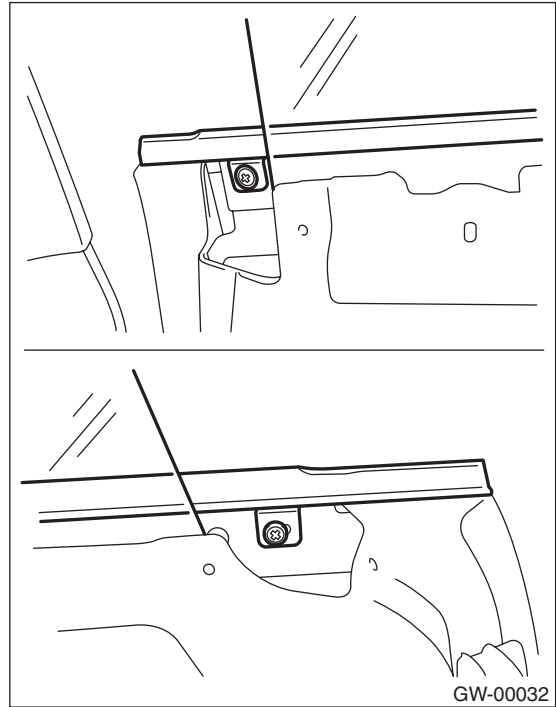
- 1) Remove the rear door trim. <Ref. to EI-35, REMOVAL, Rear Door Trim.>
- 2) Remove the front speaker. <Ref. to ET-8, REMOVAL, Front Speaker.>
- 3) Remove the sealing cover. <Ref. to EB-16, REMOVAL, Rear Sealing Cover.>
- 4) Remove the stabilizers.



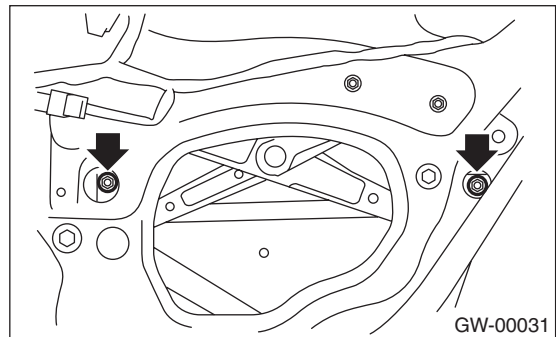
- 5) Remove the door weather strip.



- 6) Loosen two screws to remove the weather strip outer.



- 7) Operate the power window switch to move the glass to the position as shown in the figure, and remove two nuts.



- 8) Take out the door glass.

CAUTION:
Avoid impact and damage to the glass.

Rear Door Glass

GLASS/WINDOWS/MIRRORS

B: INSTALLATION

1) Install in the reverse order of removal.

CAUTION:

Make sure that glass holder (front) and holder (rear) are placed securely in sash.

2) Adjust the rear door glass. <Ref. to GW-22, ADJUSTMENT, Rear Door Glass.>

Tightening torque:

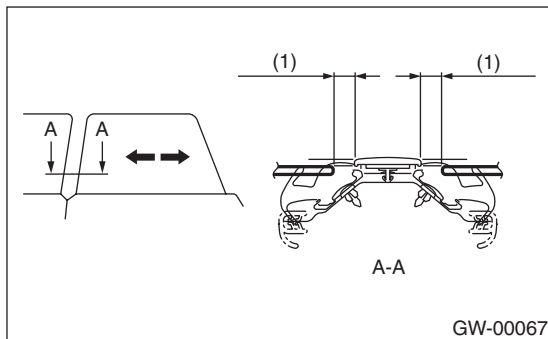
Refer to “COMPONENT” of “General Description”. <Ref. to GW-4, REAR DOOR GLASS, COMPONENT, General Description.>

C: ADJUSTMENT

NOTE:

The rear door glass, as a rule, is adjusted in the same manner as front glass, although they are different in dimension.

1) Adjust the glass position using the following dimensions as a guide line. (Difference up and down: Within 1.5 mm (0.059 in))



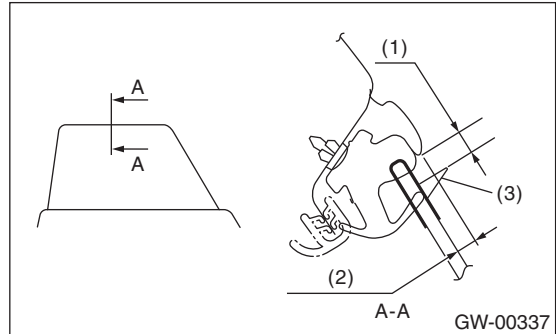
(1) 12 ± 1 mm (0.472 \pm 0.039 in)

NOTE:

- If dimensions are smaller than the given dimensions, glass may get caught in weather strip during lifting/lowering operation and may not be fully open.
- After adjustment, move the glass up and down to check whether it is caught.

2) Attach the special tool to the glass, and adjust the glass adhesion until the dimensional value becomes as shown below.

ST 61299AE00 SPACER (GLASS THICKNESS: 5 mm (0.197 in) FOR DOOR GLASS)



(1) 2.2 — 3.8 mm (0.087 — 0.150 in)

(2) When reusing the weather strip:
8.5 — 10.5 mm (0.335 — 0.413 in)

When replacing the weather strip:
7.5 — 9.5 mm (0.295 — 0.374 in)

(3) ST

NOTE:

- If rear glass adhesion is higher than necessary, glass may get caught in weather strip of center pillar corner, resulting in early wear of weather strip. Care should be taken for adjustment.
- After adjustment, move the glass up and down to check whether it is caught.